
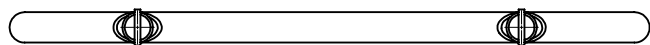
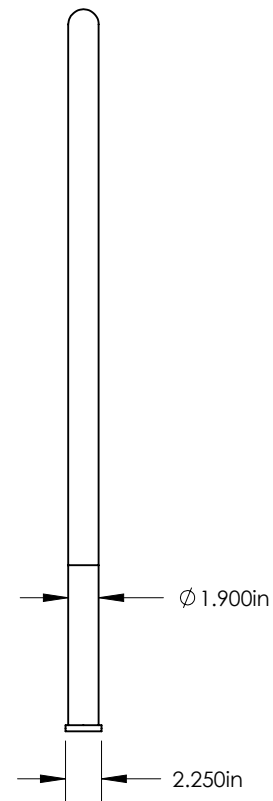
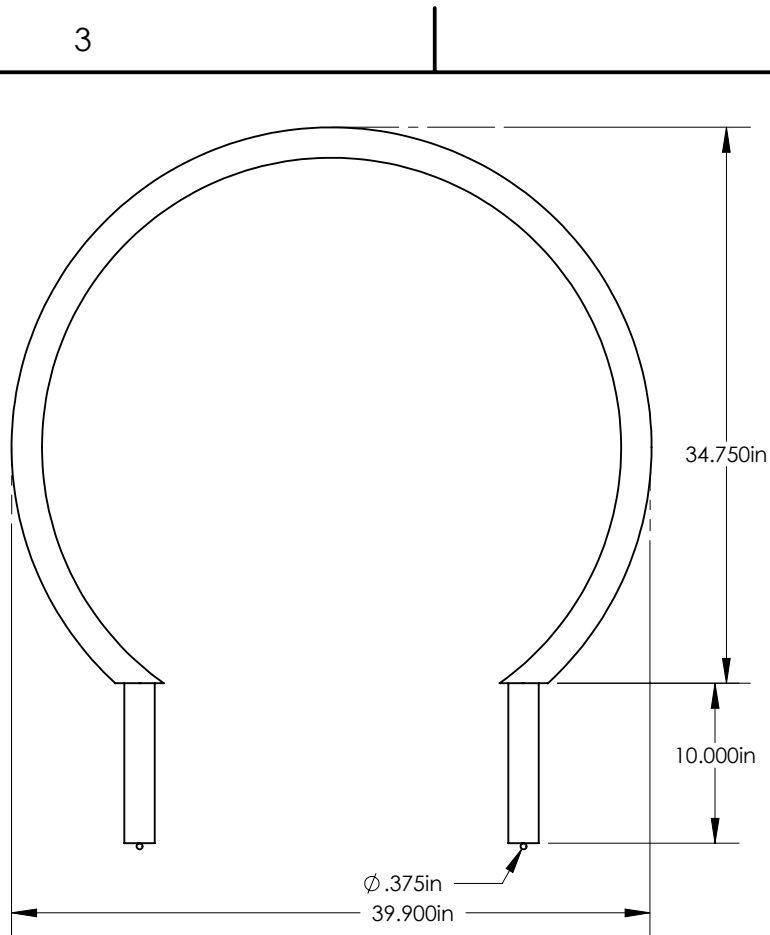



PROPRIETARY AND CONFIDENTIAL		NAME	DATE	TITLE:		
		DRAWN	BB			6/20/18
		CHECKED				
DIMENSIONS ARE IN INCHES [MILLIMETERS]		COMMENTS: WEIGHT:				
MATERIAL						
FINISH						
DO NOT SCALE DRAWING					SIZE	DWG. NO.
		A		A		
		SCALE: 1:12		SHEET 1 OF 2		



PROPRIETARY AND CONFIDENTIAL DIMENSIONS ARE IN INCHES [MILLIMETERS] MATERIAL FINISH DO NOT SCALE DRAWING	DRAWN	NAME	DATE		
	CHECKED	BB	8/13/18		
	COMMENTS:		SIZE	DWG. NO.	REV
	WEIGHT:		A		
			SCALE: 1:12	SHEET 2 OF 2	