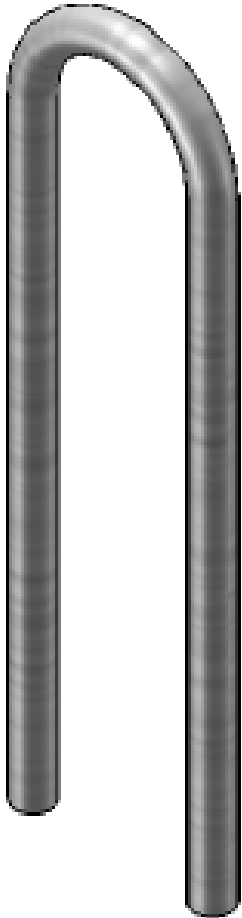


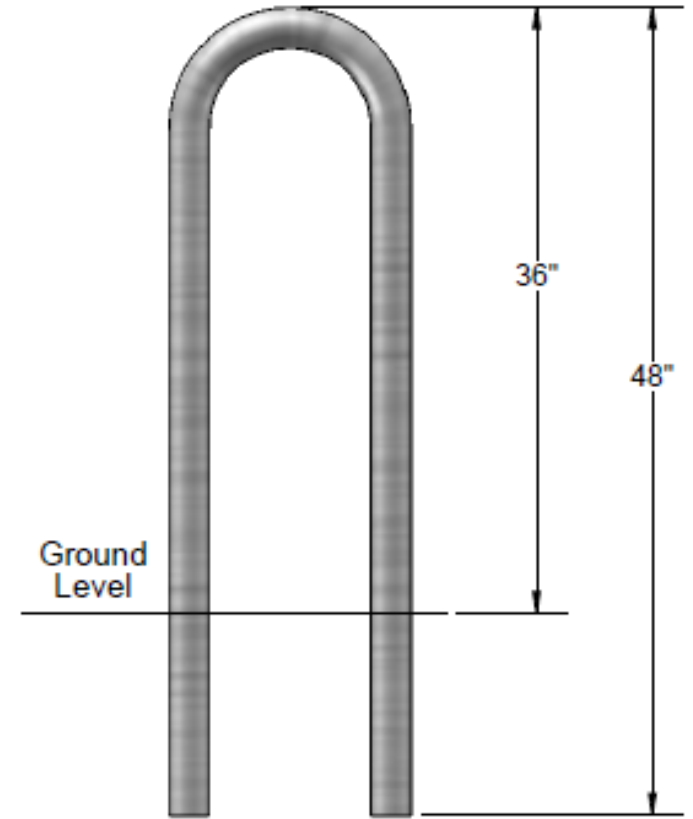
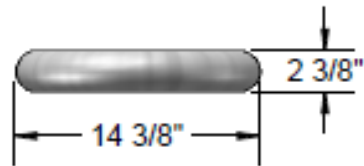


# 3 Bike Contemporary Loop Rack (Galvanized)

Model #: 622br245-1



Top View:



Front View



## **3 Bike Contemporary Loop Rack (Galvanized)**

*Model #: 622br245-1*

### **Safety Warnings & Equipment Inspection:**

- ❖ Owners and installers please note these safety warnings and make use of this checklist on a regular basis.
- ❖ Follow installation instructions when erecting equipment.
- ❖ Ground surfaces around equipment should be restored as needed. Concrete footings should never be exposed. Surface depth should comply with ASTM and CPSC specifications.
- ❖ Check for and repair damage caused by wear or vandalism, a major factor in injury causing situation.
- ❖ All protruding bolts should be covered or cut off and finished smooth. Sharp edges on pipes should be capped or removed. Check for bent, broken, or severely worn pipe, and replace.
- ❖ All equipment should be free of rust and repainted whenever necessary to deter rusting.
- ❖ We provide our customers with layout sheets and installation instructions. Please keep on file the specifications sheet that contains the listing of every part used.
- ❖ Never add components not intended for use with this product
- ❖ Regular maintenance is necessary in this and all park and recreational equipment to ensure the safety of the user.
- ❖ Note: Proper maintenance of equipment requires regular tightening of all bolts, nuts, and setscrews.
- ❖ Note: Regular checking of all parts, castings, etc. should be made. If a part is broken or worn, it should be replaced immediately.
- ❖ Check to be sure all fittings are tight, and that bars and pipes do not move.
- ❖ Replace all worn S-hooks. S-hooks must be completely closed. Failure to close S-hooks can result in serious injury to the user. NEVER reuse S-hooks.
- ❖ Test for free movement of swing hanger and other moving attached parts.
- ❖ Check for worn chains and replace them
- ❖ A soft resilient surface should be placed under all swings extending at least twice the height of the top rail both front and back.



## 3 Bike Contemporary Loop Rack (Galvanized)

Model #: 622br245-1

### WARRANTY & TERMS

**Warranty: 5 Year Limited Warranty on Thermoplastic coated elements.** Park Warehouse guarantees all items for one full year to be free of defects in workmanship or materials when installed and maintained properly. We agree to repair or replace, any items determined to be defective. Items specifically not covered by this warranty include vandalism, man made or natural disasters, lack of maintenance, normal weathering or wear and tear due to public uses.

Damages or loss in transit is the responsibility of the carrier, whether visible or concealed. It is the responsibility, of the recipient to assure that the order is received completed. Before signing the delivery receipt, inspect the shipment immediately and completely. Note any damages or shortages on the bill of lading. Damage reports must be filed within 10 days. Park Warehouse is NOT responsible for damages or loss in transit. Title to all goods passes to the customer at the time of shipment. Park Warehouse will assist in filing claims if the freight arrangements were made by Park Warehouse at your request.

**CANCELLATIONS AND RETURNS:** Cancellation are only accepted with approval of Park Warehouse. No merchandise shall be returned without a return goods authorization number which is issued by customer service. Any authorized merchandise must be carefully packed and received in saleable condition. A restocking charge of up to 25% will be applied to all returned goods when the error is not the fault of Park Warehouse. All returns must be shipped freight prepaid.

### PRODUCT SPECIFICATIONS

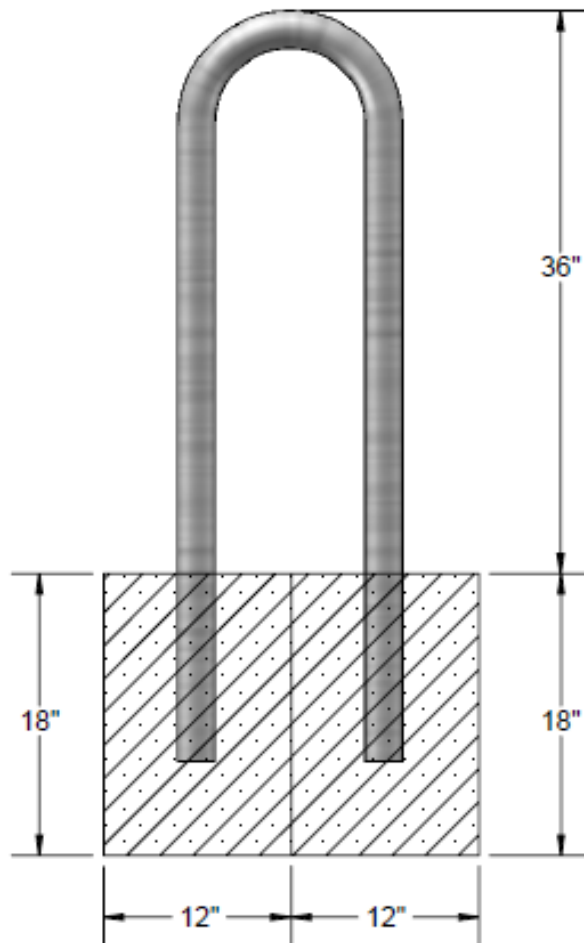
Overall dimensions shall be 36" high x 14-1/5" wide. Framework shall be fabricated from 2-3/8" O.D 12-guage galvanized steel pipe. Made to hold 3 bikes. Available powder coated or hot dipped galvanized.



# 3 Bike Contemporary Loop Rack (Galvanized)

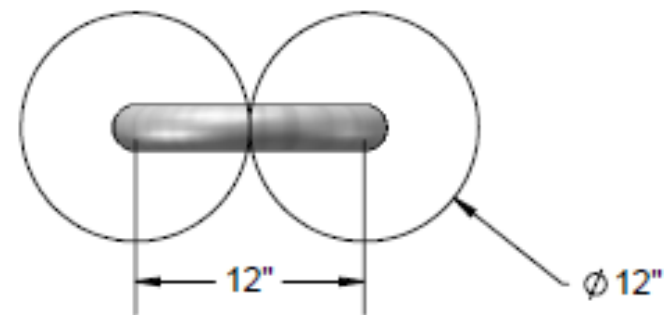
Model #: 622br245-1

## Footing



### Note:

- ❖ Estimated required concrete is 7 -50lb bags of concrete mix

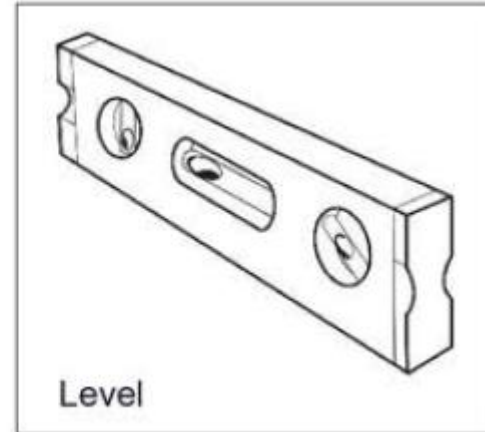
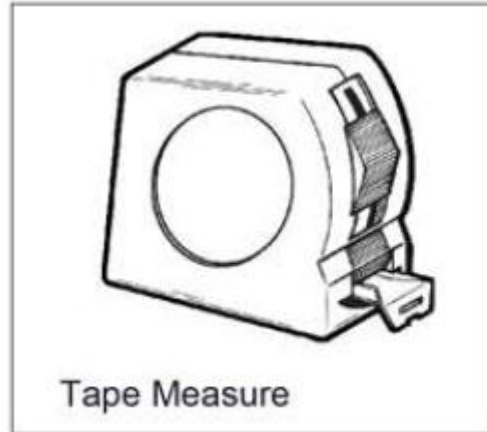




## 3 Bike Contemporary Loop Rack (Galvanized)

*Model #: 622br245-1*

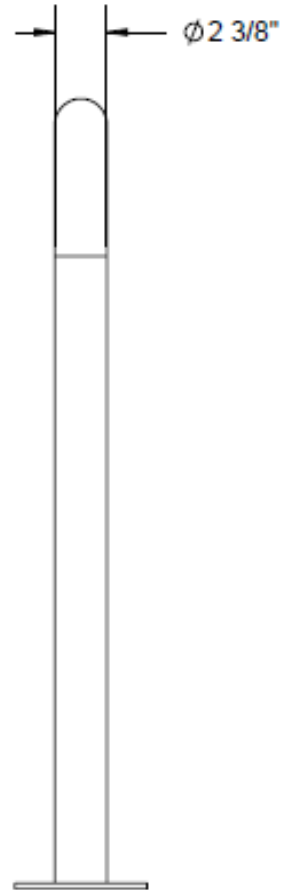
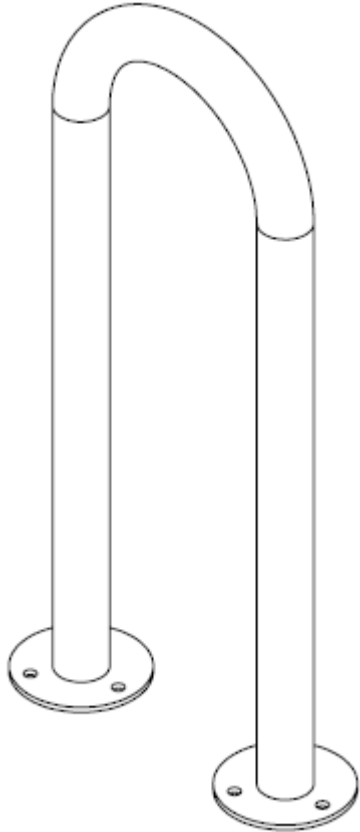
### Tools Required:



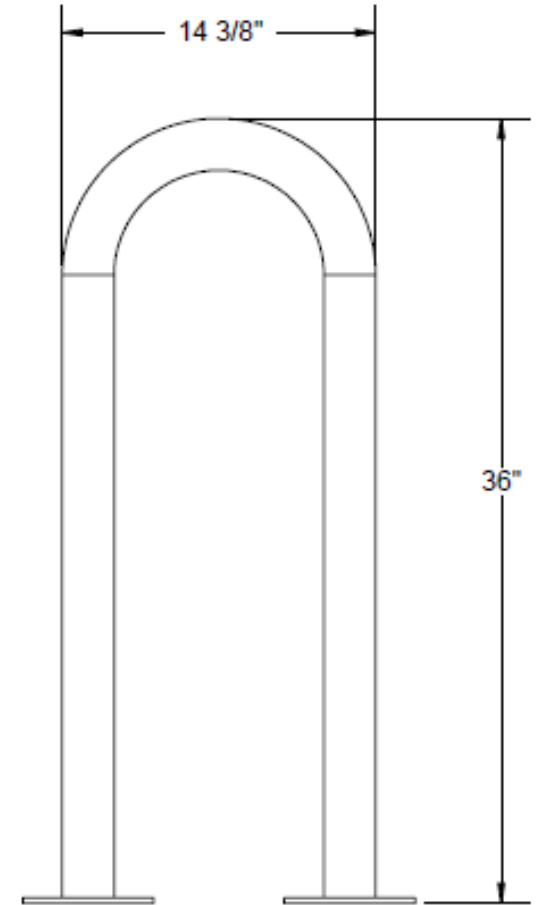


# 3 Bike Contemporary Loop Rack (Galvanized)

Model #: 622br245-2



Side View



Front View

***\*Recommended Surface Mount Hardware: 3/8" x 3-1/2" Concrete Expansion Anchor Bolts***



## **3 Bike Contemporary Loop Rack (Galvanized)**

*Model #: 622br245-2*

### **Safety Warnings & Equipment Inspection:**

- ❖ Owners and installers please note these safety warnings and make use of this checklist on a regular basis.
- ❖ Follow installation instructions when erecting equipment.
- ❖ Ground surfaces around equipment should be restored as needed. Concrete footings should never be exposed. Surface depth should comply with ASTM and CPSC specifications.
- ❖ Check for and repair damage caused by wear or vandalism, a major factor in injury causing situation.
- ❖ All protruding bolts should be covered or cut off and finished smooth. Sharp edges on pipes should be capped or removed. Check for bent, broken, or severely worn pipe, and replace.
- ❖ All equipment should be free of rust and repainted whenever necessary to deter rusting.
- ❖ We provide our customers with layout sheets and installation instructions. Please keep on file the specifications sheet that contains the listing of every part used.
- ❖ Never add components not intended for use with this product
- ❖ Regular maintenance is necessary in this and all park and recreational equipment to ensure the safety of the user.
- ❖ Note: Proper maintenance of equipment requires regular tightening of all bolts, nuts, and setscrews.
- ❖ Note: Regular checking of all parts, castings, etc. should be made. If a part is broken or worn, it should be replaced immediately.
- ❖ Check to be sure all fittings are tight, and that bars and pipes do not move.
- ❖ Replace all worn S-hooks. S-hooks must be completely closed. Failure to close S-hooks can result in serious injury to the user. NEVER reuse S-hooks.
- ❖ Test for free movement of swing hanger and other moving attached parts.
- ❖ Check for worn chains and replace them
- ❖ A soft resilient surface should be placed under all swings extending at least twice the height of the top rail both front and back.



## 3 Bike Contemporary Loop Rack (Galvanized)

Model #: 622br245-2

### WARRANTY & TERMS

**Warranty: 5 Year Limited Warranty on Thermoplastic coated elements.** Park Warehouse guarantees all items for one full year to be free of defects in workmanship or materials when installed and maintained properly. We agree to repair or replace, any items determined to be defective. Items specifically not covered by this warranty include vandalism, man made or natural disasters, lack of maintenance, normal weathering or wear and tear due to public uses.

Damages or loss in transit is the responsibility of the carrier, whether visible or concealed. It is the responsibility, of the recipient to assure that the order is received completed. Before signing the delivery receipt, inspect the shipment immediately and completely. Note any damages or shortages on the bill of lading. Damage reports must be filed within 10 days. Park Warehouse is NOT responsible for damages or loss in transit. Title to all goods passes to the customer at the time of shipment. Park Warehouse will assist in filing claims if the freight arrangements were made by Park Warehouse at your request.

**CANCELLATIONS AND RETURNS:** Cancellation are only accepted with approval of Park Warehouse. No merchandise shall be returned without a return goods authorization number which is issued by customer service. Any authorized merchandise must be carefully packed and received in saleable condition. A restocking charge of up to 25% will be applied to all returned goods when the error is not the fault of Park Warehouse. All returns must be shipped freight prepaid.

### PRODUCT SPECIFICATIONS

Overall dimensions shall be 36" high x 15" wide. Framework shall be fabricated from 2-3/8" O.D 10-guage galvanized steel pipe. Made to hold 3 bikes. Surface mount plate is 6" diameter x 1/4" thick steel plate. Electrically MIG welded. Available powder coated or hot dipped galvanized.





## 3 Bike Contemporary Loop Rack (Galvanized)

*Model #: 622br245-2*

### Tools Required:

