



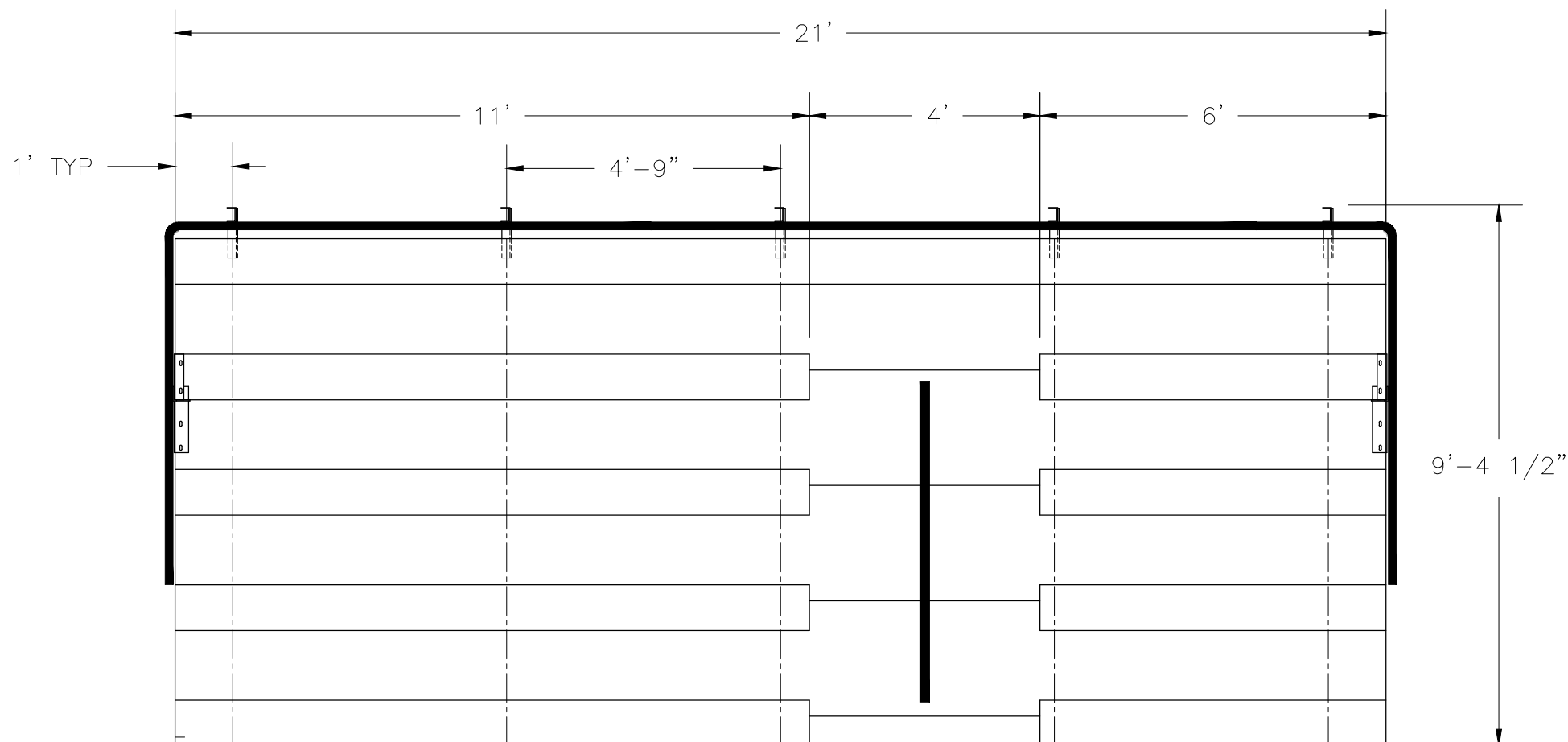
335bl630-1 & 335bl630-3 Assembly Drawings

5 Row - Transportable Bleachers - Away-Game Series - Optional Transport Kit - 21 Feet - Weight: 1519lbs - Seats 58

Park Warehouse, LLC

7495 W. Atlantic Ave. Suite 200-294, Delray Beach, FL 33446

CS.1	- COVER SHEET
TD.1	- BLEACHER SEATING PLAN
BA.1	- BLEACHER ASSEMBLY
GS.1	- GROUND SILL ASSEMBLY
PF.1	- PLANK & FRAMING PLAN
VA.1	- VERTICAL AISLE ASSEMBLY
TK.1	- TRANSPORT KIT ASSEMBLY
TK.2	- TRANSPORT KIT ASSEMBLY
GR.1	- GUARDRAIL ASSEMBLY
DS.1	- DETAIL SHEET

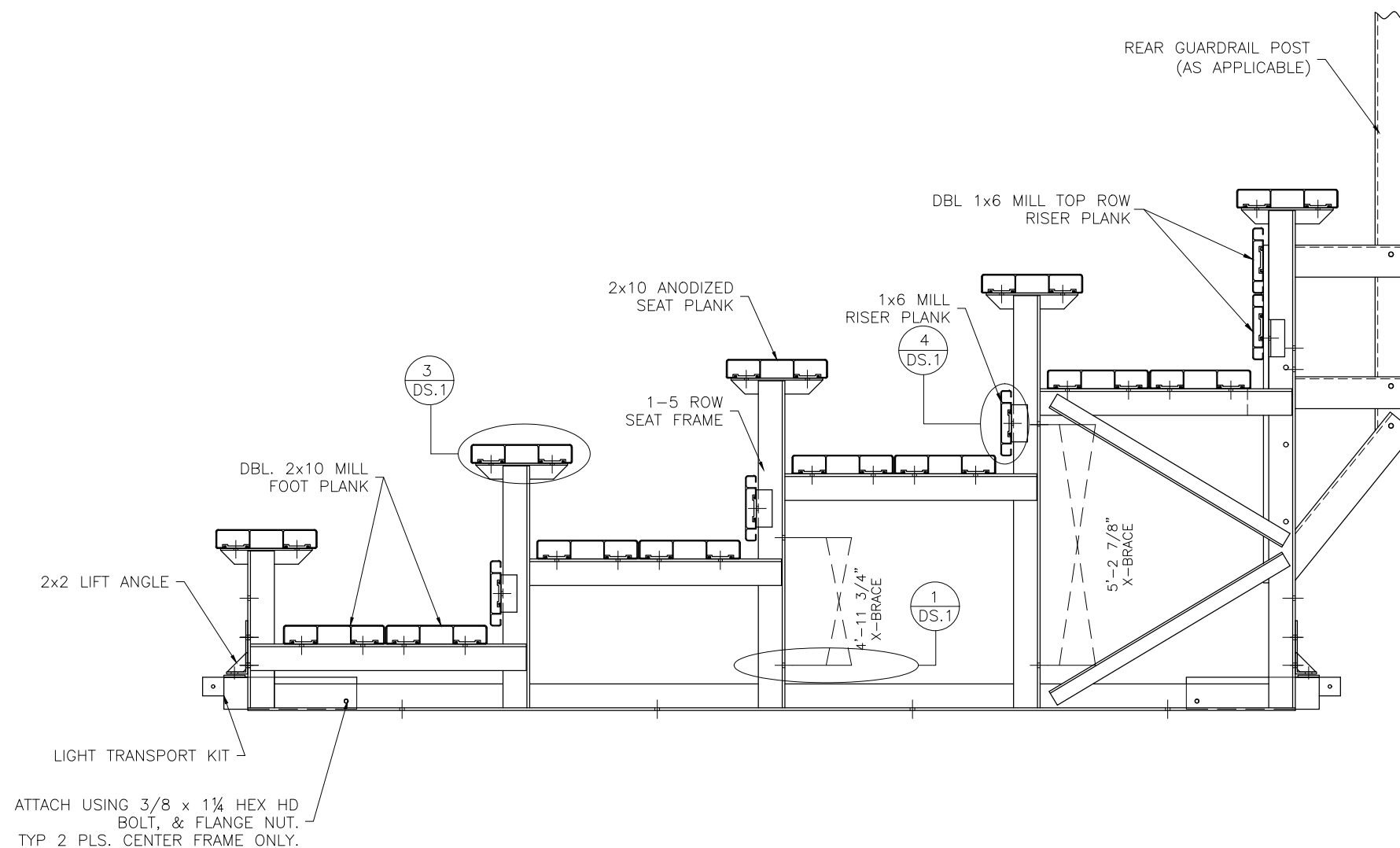


SECTION LENGTH	GROSS SEATS	ACTUAL SEATS	NO. OF ROWS	NET SEATS
21	14.00	14.00	1	14
11	7.33	7.00	4	28
6	4.00	4.00	4	16
NET SEATS				58
WHEELCHAIR SPACES				0
TOTAL NET SEATING CAPACITY (BASED ON 18" PER SEAT)				58

This drawing and all information contained herein is the property of PARK WAREHOUSE, LLC. and is not to be reproduced without express written permission of this manufacturer. We assume no responsibility for unauthorized use of this drawing. PARK WAREHOUSE, LLC. is not responsible for local permits and occupancy requirements.

Park Warehouse, LLC
 7495 W. Atlantic Ave. Suite 200-294, Delray Beach, FL 33446

SCALE: N.T.S.	APPROVED BY:	DRAWN BY: JML
DATE: 6/9/16		
TITLE: NON ELEV. 5 ROW X 21' TRANSP. BLEACHER SEATING PLAN		
BLEACHER MODEL #: 335bl630-1-DLX / 335bl630-3-DLX		DRAWING NUMBER: TD.1

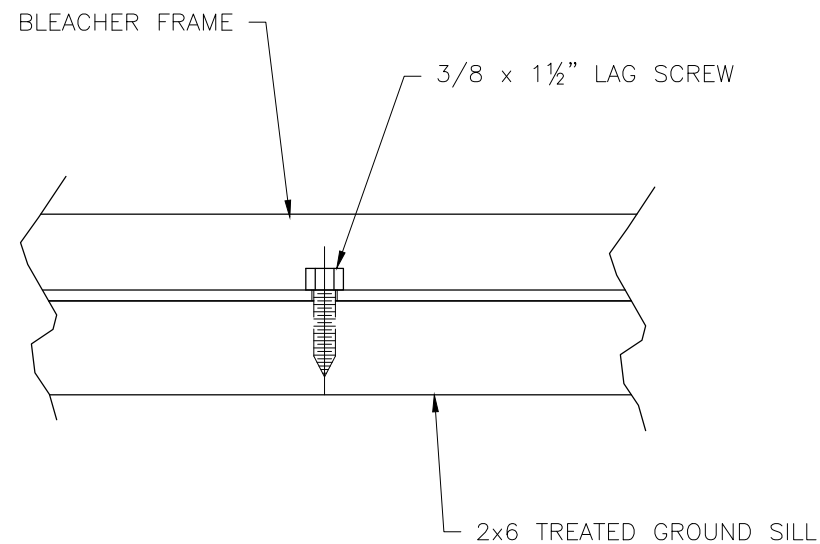


This drawing and all information contained herein is the property of PARK WAREHOUSE, LLC. and is not to be reproduced without express written permission of this manufacturer. We assume no responsibility for unauthorized use of this drawing. PARK WAREHOUSE, LLC. is not responsible for local permits and occupancy requirements.

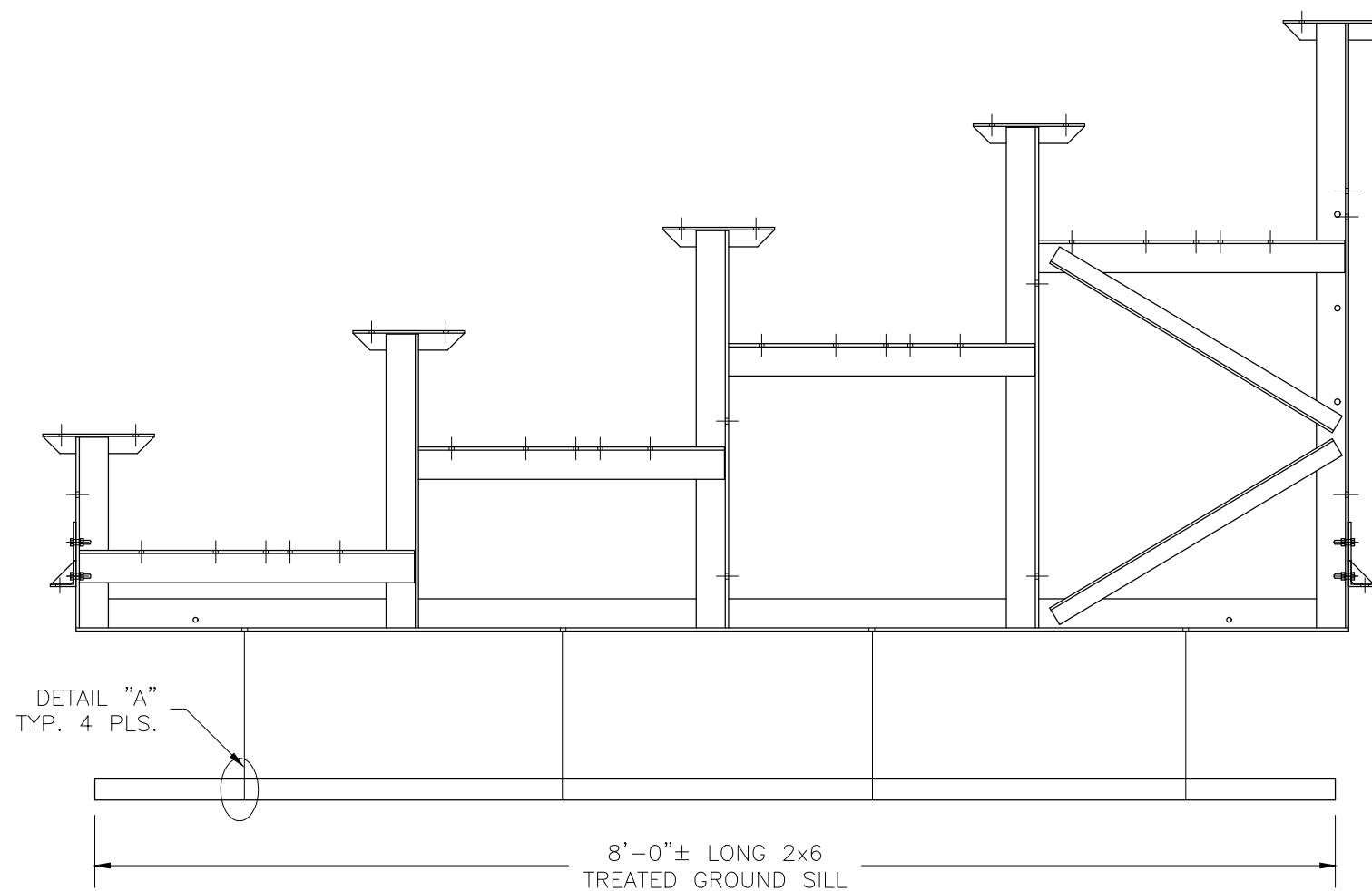
Park Warehouse, LLC

7495 W. Atlantic Ave. Suite 200-294, Delray Beach, FL 33446

SCALE: N.T.S.	APPROVED BY:	DRAWN BY: JML
DATE: 6/9/16		
TITLE: NON ELEV. 5 ROW X 21' TRANSP. BLEACHER ASSEMBLY		
BLEACHER MODEL # 335bl630-1-DLX / 335bl630-3-DLX	DRAWING NUMBER: BA.1	



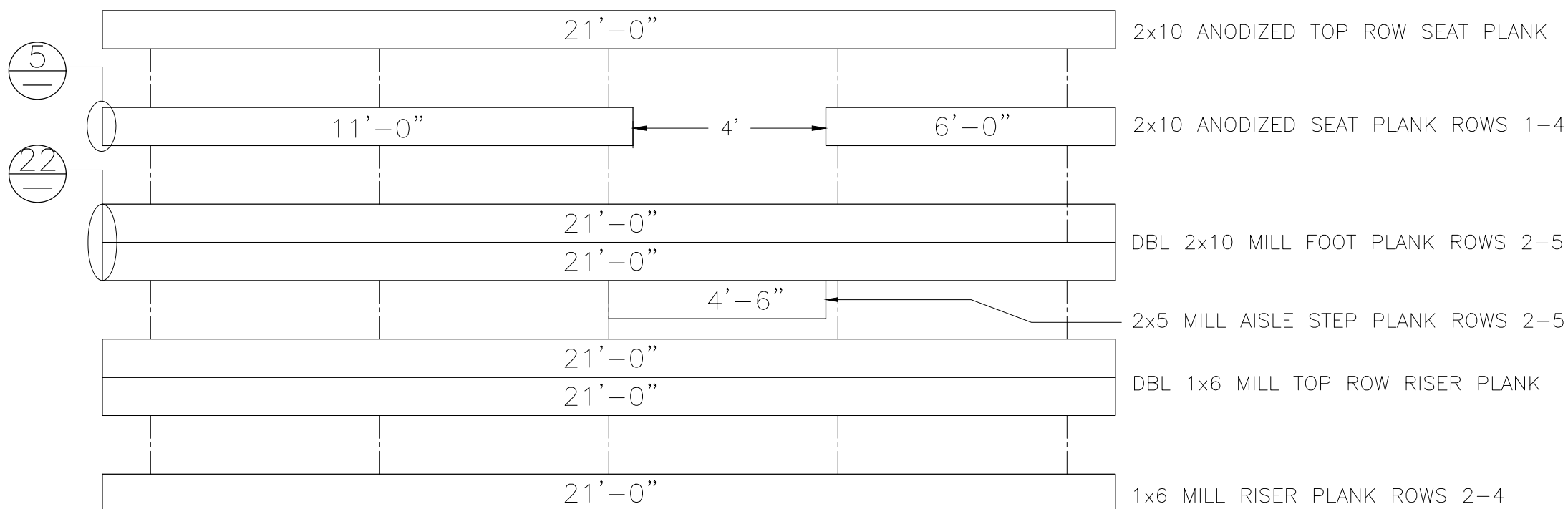
DETAIL "A" - GROUND SILL ATTACHMENT



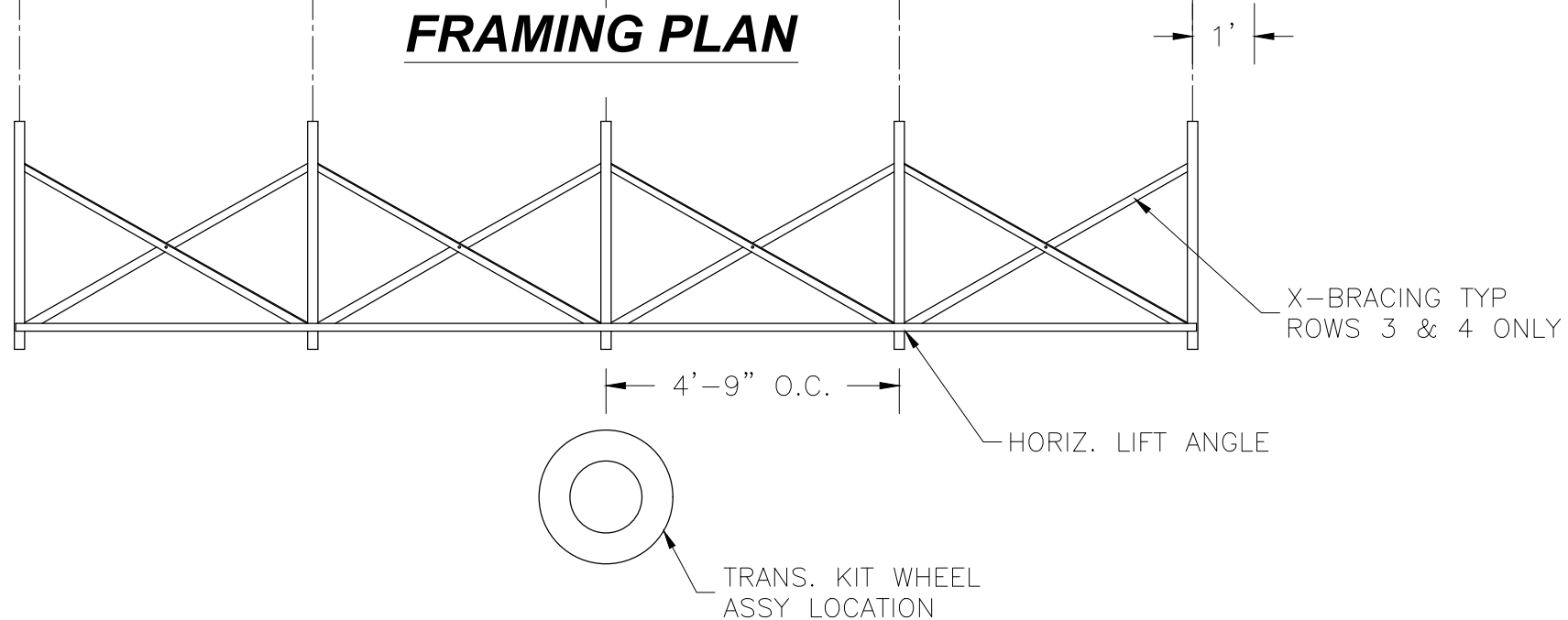
This drawing and all information contained herein is the property of PARK WAREHOUSE, LLC. and is not to be reproduced without express written permission of this manufacturer. We assume no responsibility for unauthorized use of this drawing. PARK WAREHOUSE, LLC. is not responsible for local permits and occupancy requirements.

Park Warehouse, LLC		
7495 W. Atlantic Ave. Suite 200-294, Delray Beach, FL 33446		
SCALE: N.T.S.	APPROVED BY:	DRAWN BY: JML
DATE: 1/20/16		
TITLE: NON ELEV. 5 ROW X 21' TRANSP. GROUND SILL ASSEMBLY		
BLEACHER MODEL #: 335bl630-1-DLX / 335bl630-3-DLX	DRAWING NUMBER: GS.1	

PLANK PLAN



FRAMING PLAN



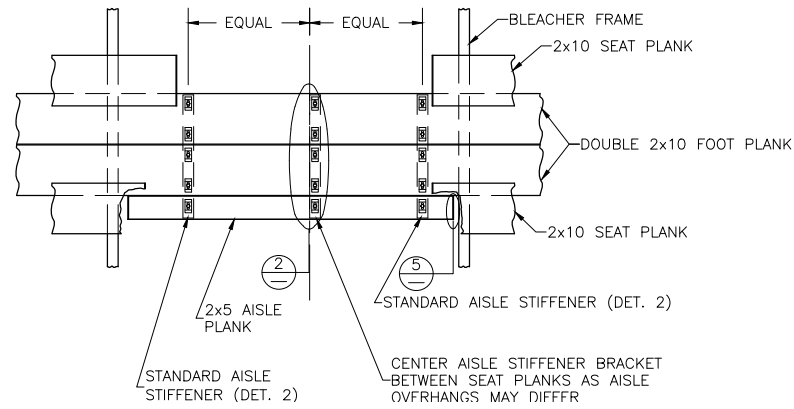
This drawing and all information contained herein is the property of PARK WAREHOUSE, LLC. and is not to be reproduced without express written permission of this manufacturer. We assume no responsibility for unauthorized use of this drawing. PARK WAREHOUSE, LLC. is not responsible for local permits and occupancy requirements.

Park Warehouse, LLC

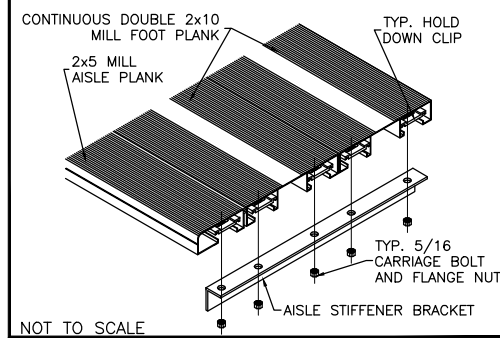
7495 W. Atlantic Ave. Suite 200-294, Delray Beach, FL 33446

SCALE: N.T.S.	APPROVED BY:	DRAWN BY: JML
DATE: 6/9/16		
TITLE: NON ELEV. 5 ROW X 21' TRANSP. PLANK & FRAMING PLAN		
BLEACHER MODEL #: 335b1630-1-DLX / 335b1630-3-DLX	DRAWING NUMBER: PF.1	

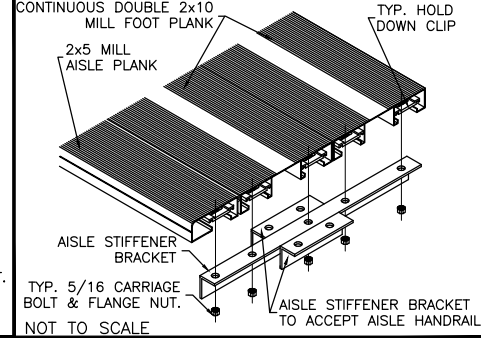
1 AISLE PLAN TYP. ALL ROWS



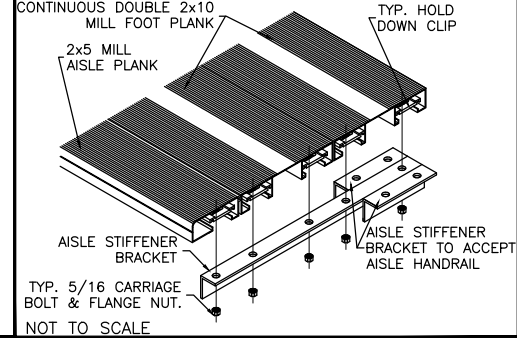
2 TYP. AISLE BKT DETAIL



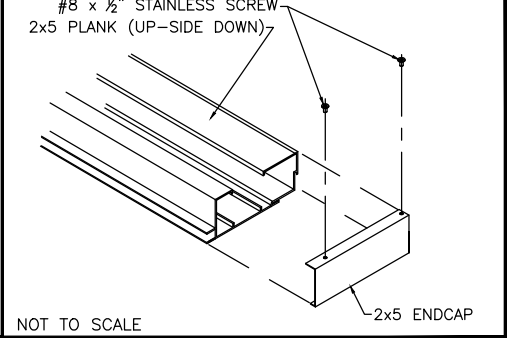
3 FRONT AISLE H.R. BRACKET DETAIL



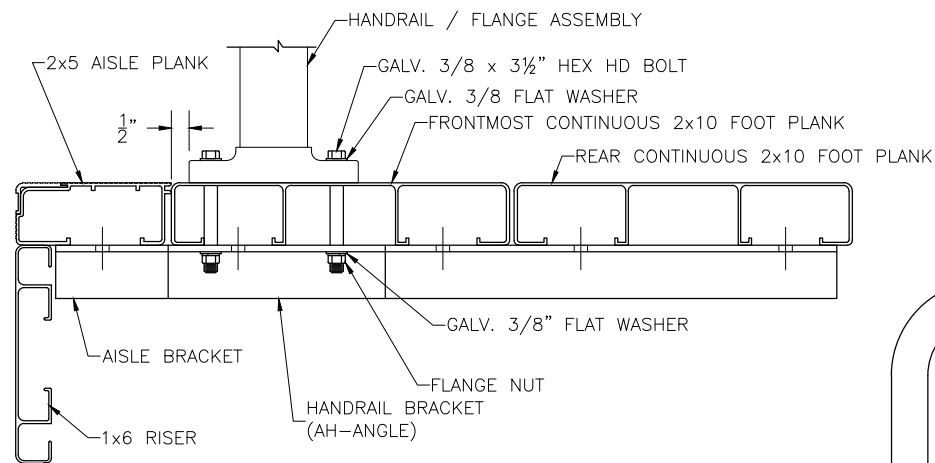
4 REAR AISLE H.R. BRACKET DETAIL



5 TYP 2x5 ENDCAP ATTACHMENT

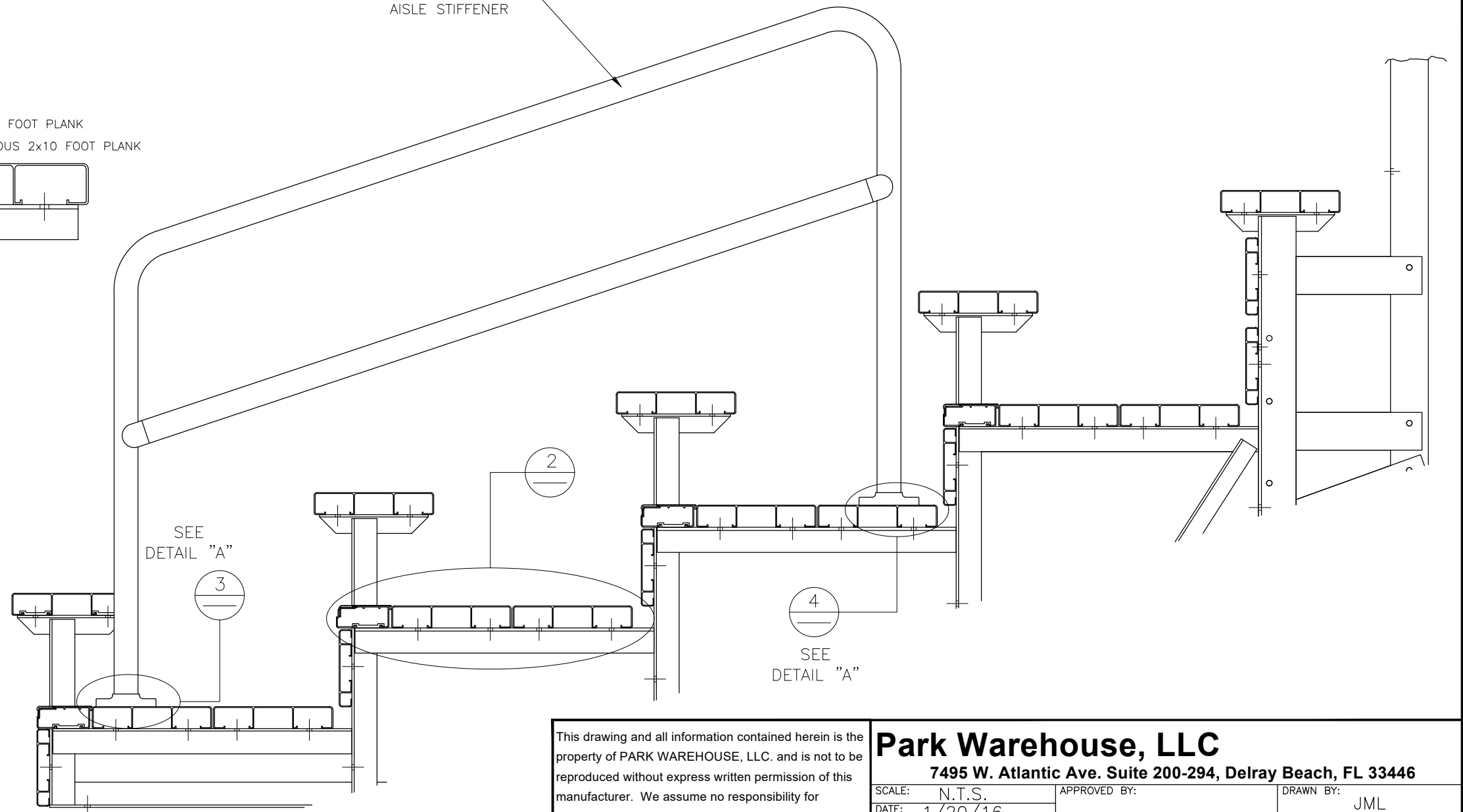


3 STEP AISLE HANDRAIL
TYP 1 PLS. PER AISLE
LOCATE OVER CENTER
AISLE STIFFENER



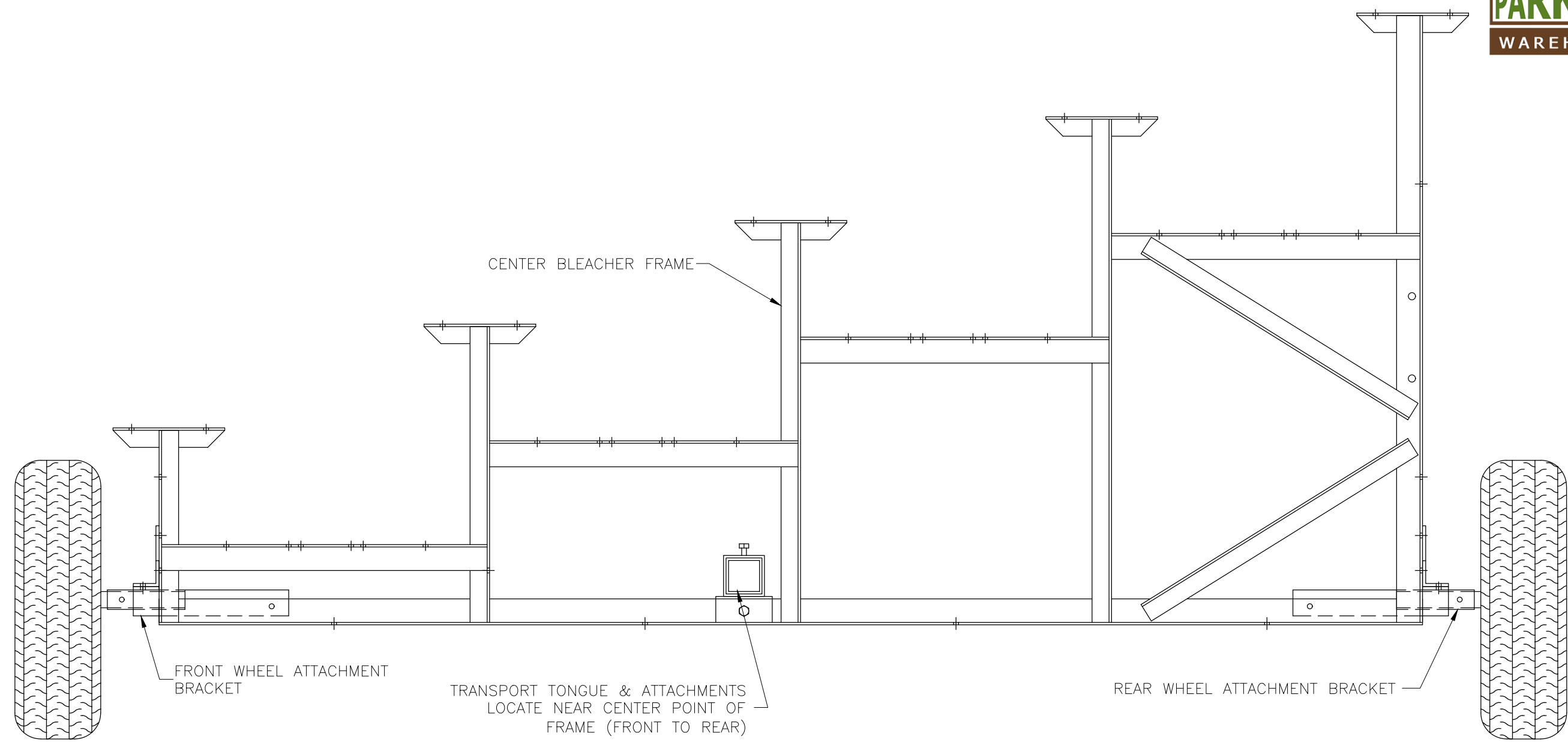
DETAIL A

ALIGN EDGE OF FLANGE APPROX. 1/2" FROM THE LEADING EDGE OF THE FRONT MOST CONTINUOUS 2x10 FOOT PLANK (NOT THE 2x5 AISLE STEP PLANK). SLIGHTLY ADJUST FLANGE LOCATION, IF NECESSARY, SO THAT THE BOLT HOLE IS NOT DRILLED INTO A VERTICAL LEG OF THE PLANK. DRILL $\phi 7/16$ " HOLES (FOR 3/8" BOLT). ASSEMBLE AS SHOWN USING GALV. STEEL ROITS. FIAT WASHFRS & FLANGE NUTS.



This drawing and all information contained herein is the property of PARK WAREHOUSE, LLC. and is not to be reproduced without express written permission of this manufacturer. We assume no responsibility for unauthorized use of this drawing. PARK WAREHOUSE, LLC. is not responsible for local permits and occupancy requirements.

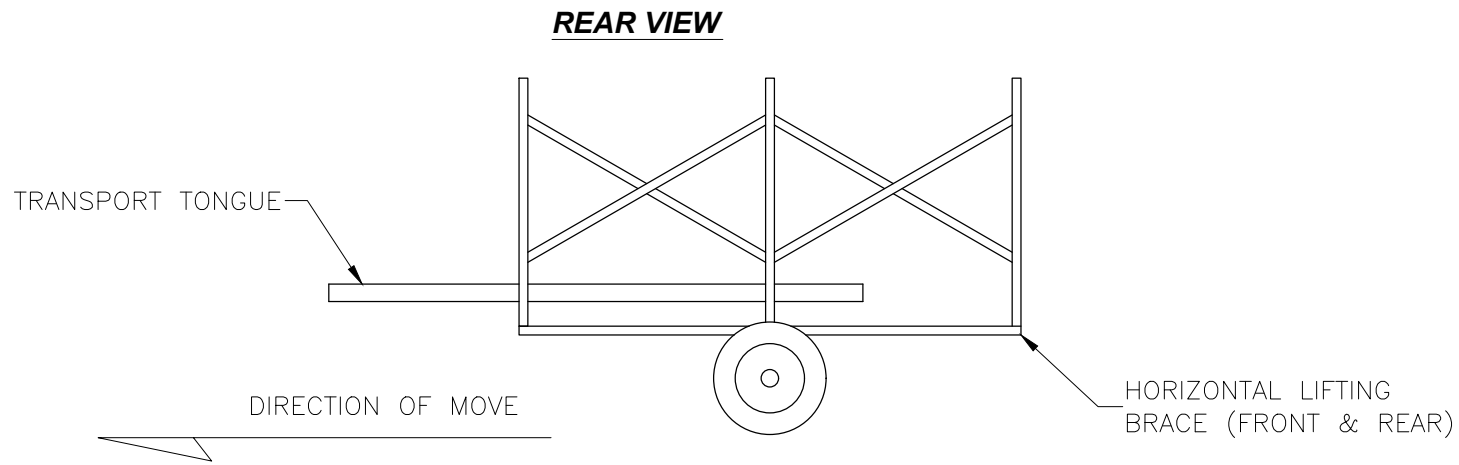
Park Warehouse, LLC		
7495 W. Atlantic Ave. Suite 200-294, Delray Beach, FL 33446		
SCALE: N.T.S.	APPROVED BY:	DRAWN BY: JML
DATE: 1/20/16		
TITLE: NON ELEV. 5 ROW X 21' TRANSP. VERT. AISLE ASSEMBLY		
BLEACHER MODEL #: 335bl630-1-DLX / 335bl630-3-DLX	DRAWING NUMBER: VA.1	



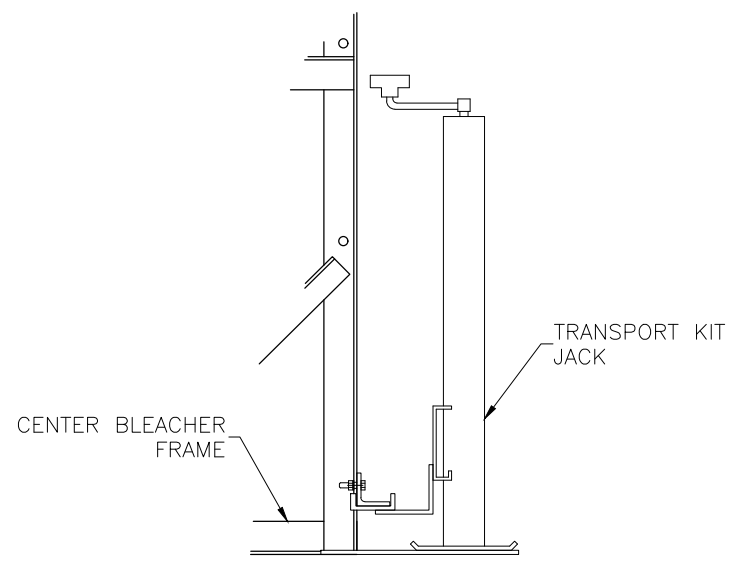
This drawing and all information contained herein is the property of PARK WAREHOUSE, LLC. and is not to be reproduced without express written permission of this manufacturer. We assume no responsibility for unauthorized use of this drawing. PARK WAREHOUSE, LLC. is not responsible for local permits and occupancy requirements.

Park Warehouse, LLC
 7495 W. Atlantic Ave. Suite 200-294, Delray Beach, FL 33446

SCALE: N.T.S.	APPROVED BY:	DRAWN BY: JML
DATE: 1/20/16		
TITLE: NON ELEV. 5 ROW X 21' TRANSP. KIT ASSEMBLY		
BLEACHER MODEL #: 335b1630-1-DLX / 335b1630-3-DLX	DRAWING NUMBER: TK.1	

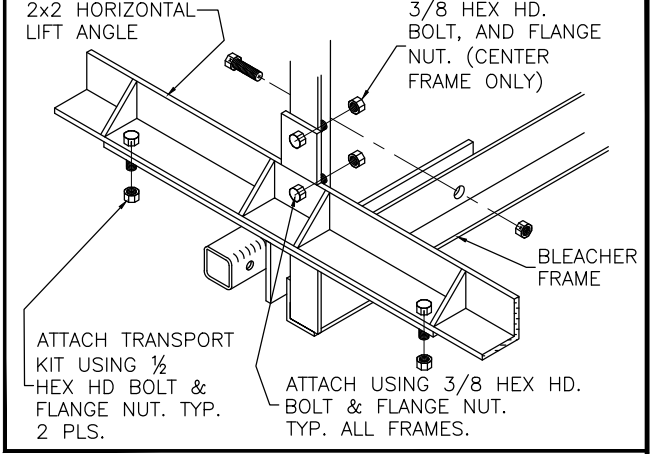


JACK ATTACHMENT

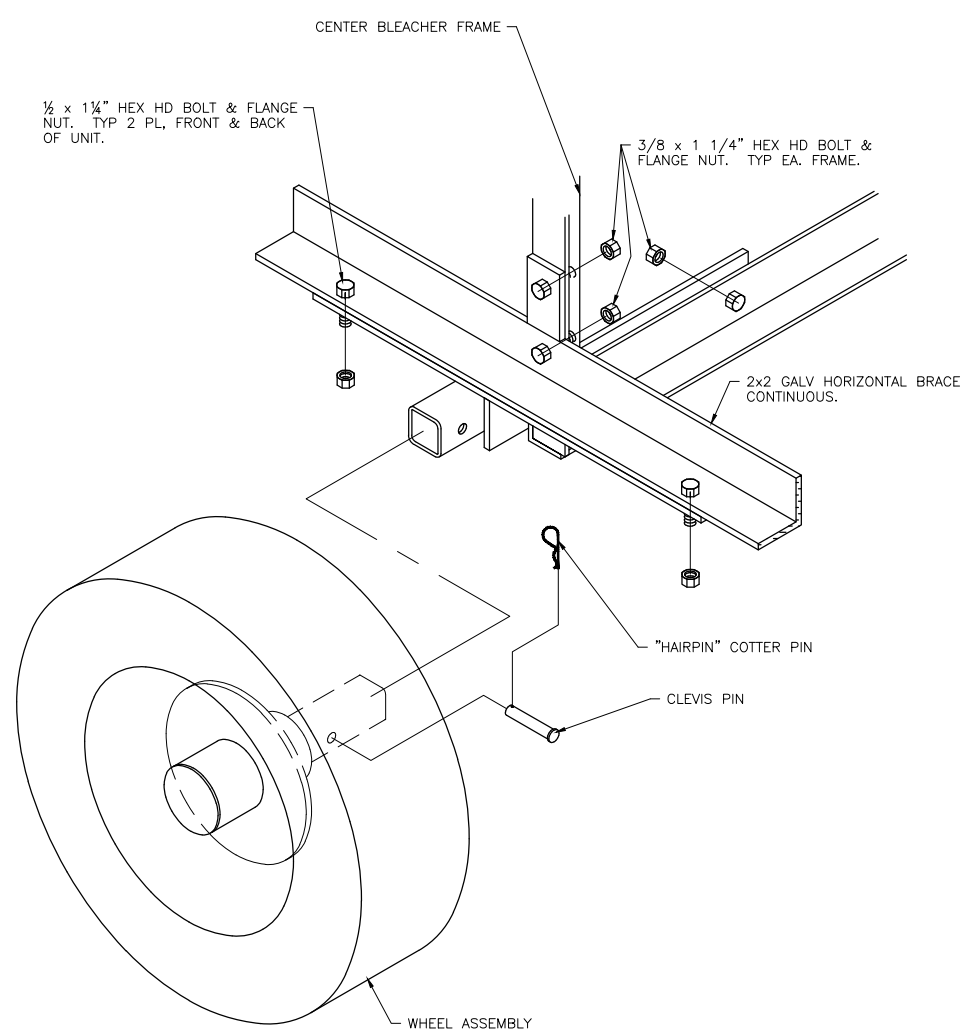


PLACE JACK ON UNDER SIDE OF HORIZONTAL BRACE APPROX. 14"-18" AWAY FROM CENTER FRAME, AS SHOWN. BLEACHER SHOULD ALWAYS BE ON SOLID, LEVEL GROUND, AND BE STABILIZED TO PREVENT MOVEMENT WHEN USING JACK.

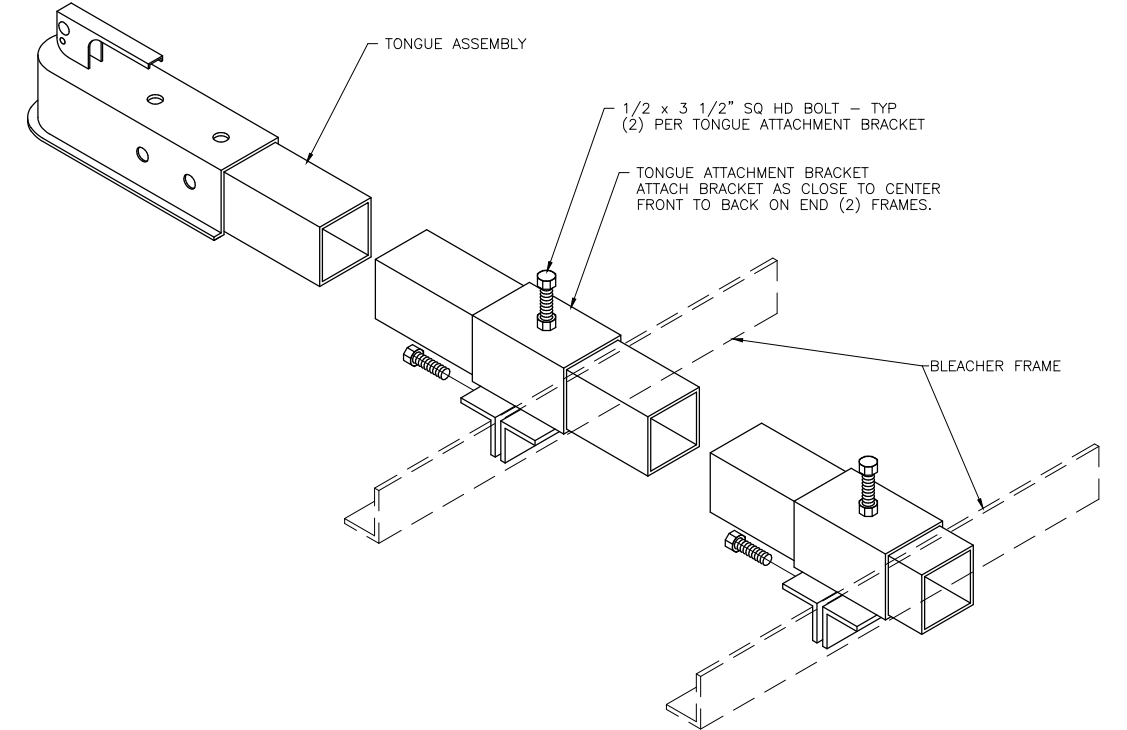
HORIZ. LIFT ANGLE ATTACHMENT



WHEEL ASSEMBLY



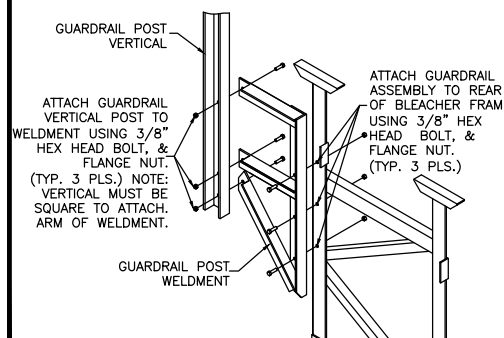
TONGUE ASSEMBLY



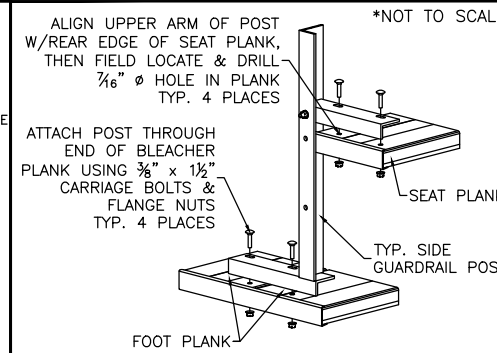
This drawing and all information contained herein is the property of PARK WAREHOUSE, LLC. and is not to be reproduced without express written permission of this manufacturer. We assume no responsibility for unauthorized use of this drawing. PARK WAREHOUSE, LLC. is not responsible for local permits and occupancy requirements.

Park Warehouse, LLC		
7495 W. Atlantic Ave. Suite 200-294, Delray Beach, FL 33446		
SCALE: N.T.S.	APPROVED BY:	DRAWN BY: JML
DATE: 1/20/16		
TITLE: NON ELEV. 5 ROW X 21' TRANSPORT KIT ASSEMBLY		
BLEACHER MODEL #: 335b1630-1-DLX / 335b1630-3-DLX	DRAWING NUMBER: TK.1	

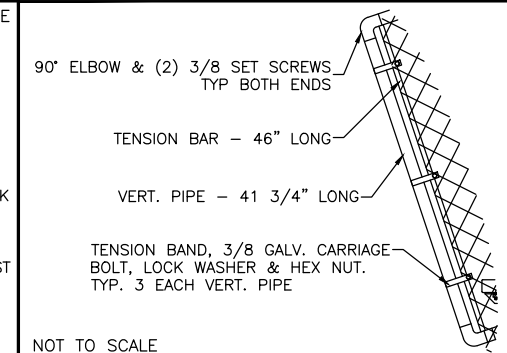
④ REAR GUARDRAIL POST ATTACH.



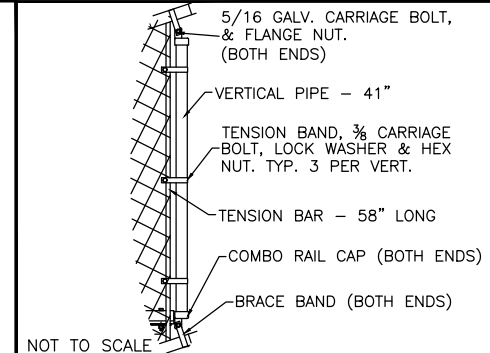
⑤ SIDE GD. RAIL POST INSTALLATION



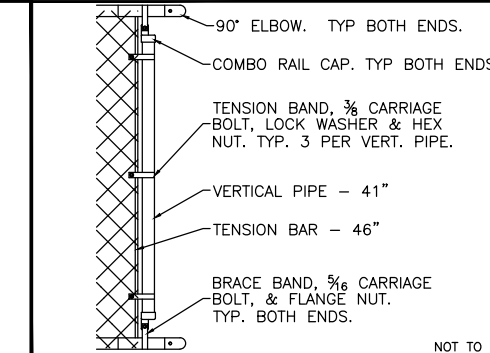
⑥ VERT. PIPE DETAIL (NE-SIDE,BOTT.)



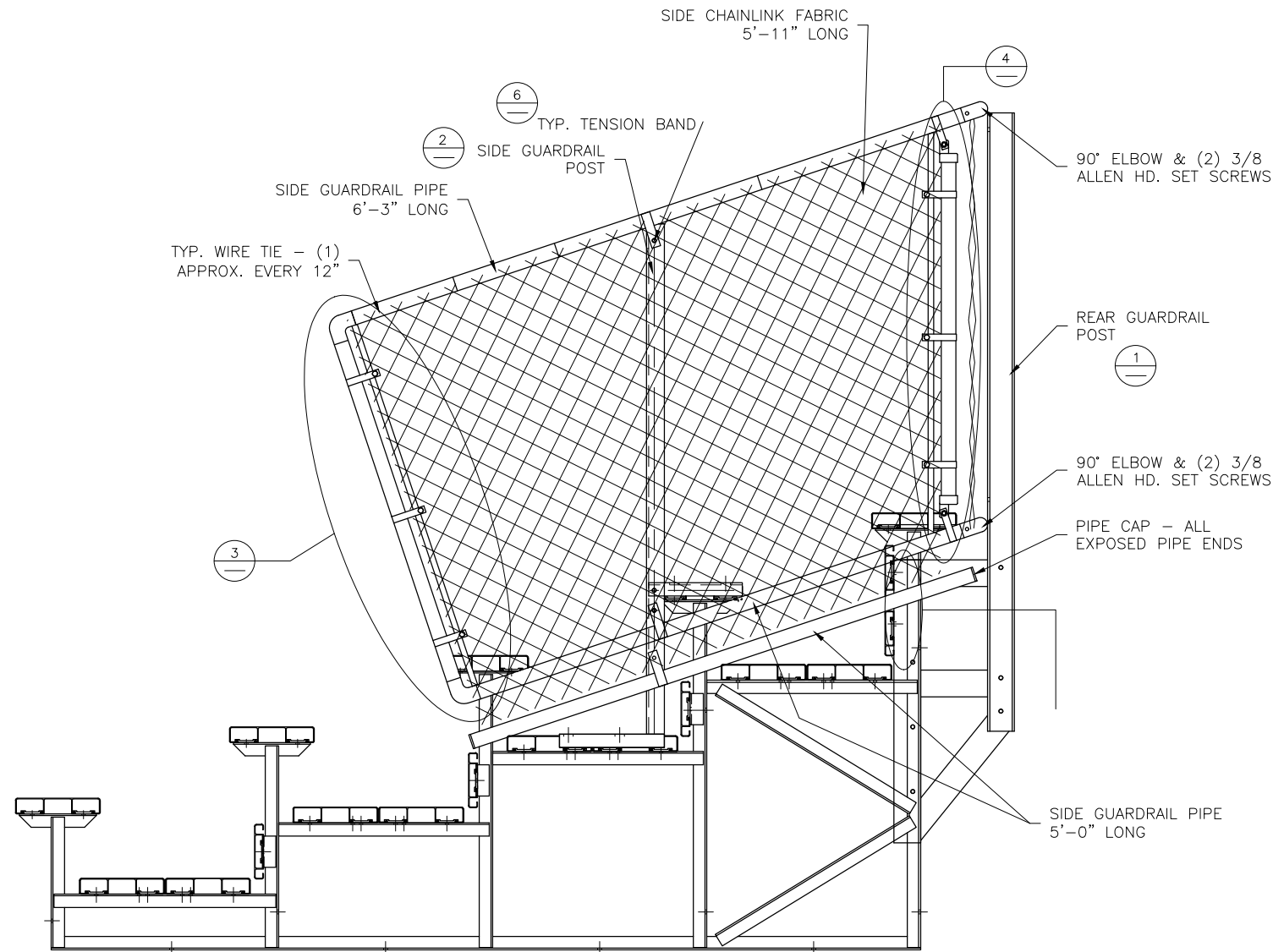
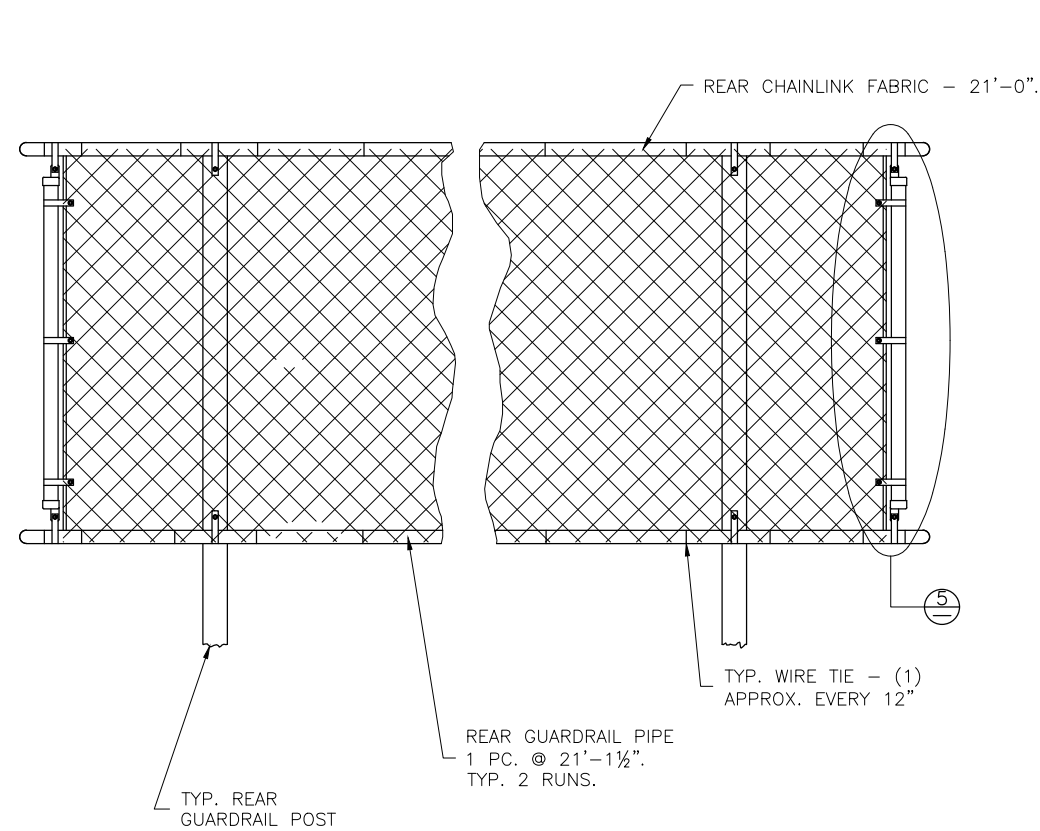
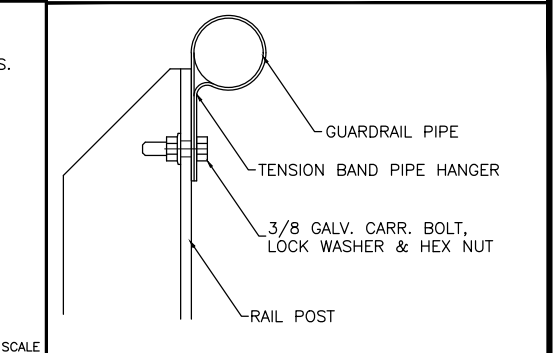
⑦ VERT. PIPE DETAIL (SIDE, TOP)



⑧ VERT. PIPE DETAIL-REAR, TOP



⑨ TENSION BAND ATTACHMENT



This drawing and all information contained herein is the property of PARK WAREHOUSE, LLC. and is not to be reproduced without express written permission of this manufacturer. We assume no responsibility for unauthorized use of this drawing. PARK WAREHOUSE, LLC. is not responsible for local permits and occupancy requirements.

Park Warehouse, LLC
 7495 W. Atlantic Ave. Suite 200-294, Delray Beach, FL 33446

SCALE: N.T.S.	APPROVED BY:	DRAWN BY: JML
DATE: 6/9/16		
TITLE: NON ELEV. 5 ROW X 21' TRANSP. GUARD RAIL ASSEMBLY		
BLEACHER MODEL #: 335b1630-1-DLX / 335b1630-3-DLX	DRAWING NUMBER: GR.1	

<p>⊕ TYP X-BRACE CONN. W/ 1/4" BOLT</p> <p>NOT TO SCALE</p>	<p>⊕ TYP X-BRACE CONN. w/3" BOLT</p> <p>NOT TO SCALE</p>	<p>⊕ TYP 2x10 PLANK ATTACHMENT</p> <p>NOT TO SCALE</p>	<p>⊕ TYP 1x6 PLANK ATTACHMENT</p> <p>NOT TO SCALE</p>	<p>⊕ TYP 2x10 ENDCAP ATTACHMENT</p> <p>NOT TO SCALE</p>	<p>⊕ TYP 1x6 ENDCAP ATTACHMENT</p> <p>NOT TO SCALE</p>
<p>⊕ TYP 2x10 SPLICE CONN.</p> <p>NOT TO SCALE</p>	<p>⊕ TYP 1x6 SPLICE CONN.</p> <p>NOT TO SCALE</p>	<p>⊕ REAR GUARDRAIL POST ATTACH.</p>	<p>⊕ SIDE GD. RAIL POST INSTALLATION</p> <p>*NOT TO SCALE</p>	<p>⊕ VERT. PIPE DETAIL (NE-SIDE,BOTT.)</p> <p>NOT TO SCALE</p>	<p>⊕ VERT. PIPE DET.-ELEV, SIDE, BOT.</p> <p>NOT TO SCALE</p>
<p>⊕ VERT. PIPE DETAIL (SIDE, TOP)</p> <p>NOT TO SCALE</p>	<p>⊕ VERT. PIPE DETAIL-REAR, TOP</p> <p>NOT TO SCALE</p>	<p>⊕ PIPE COUPLER INSTALLATION</p> <p>NOT TO SCALE</p>	<p>⊕ VERT. PIPE DETAIL (FRNT.END)</p> <p>NOT TO SCALE</p>	<p>⊕ FINGER MOUNT DETAIL</p> <p>NOT TO SCALE</p>	<p>⊕ RB-210/BOLT DETAIL</p> <p>NOT TO SCALE</p>
<p>⊕ VERTICAL PIPE DETAIL (REAR)</p> <p>NOT TO SCALE</p>	<p>⊕ VERT. PIPE DETAIL (FRNT.END)</p> <p>NOT TO SCALE</p>	<p>⊕ VERT. PIPE DET.- SIDE TOP</p> <p>NOT TO SCALE</p>	<p>⊕ DBL. 2x10 ENDCAP ATTACHMENT</p> <p>NOT TO SCALE</p>	<p>⊕ TENSION BAND ATTACHMENT</p> <p>NOT TO SCALE</p>	<p>⊕ TYP X-BRACE CONN. W/ 1/4 BOLT</p> <p>NOT TO SCALE</p>



This drawing and all information contained herein is the property of PARK WAREHOUSE, LLC. and is not to be reproduced without express written permission of this manufacturer. We assume no responsibility for unauthorized use of this drawing. PARK WAREHOUSE, LLC. is not responsible for local permits and occupancy requirements.

Park Warehouse, LLC
7495 W. Atlantic Ave. Suite 200-294, Delray Beach, FL 33446

SCALE: N.T.S.	APPROVED BY:	DRAWN BY: JML
DATE: 6/9/16		
TITLE: DETAIL SHEETS		
BLEACHER MODEL #: 335b1630-1-DLX / 335b1630-3-DLX	DRAWING NUMBER: DS.1	