



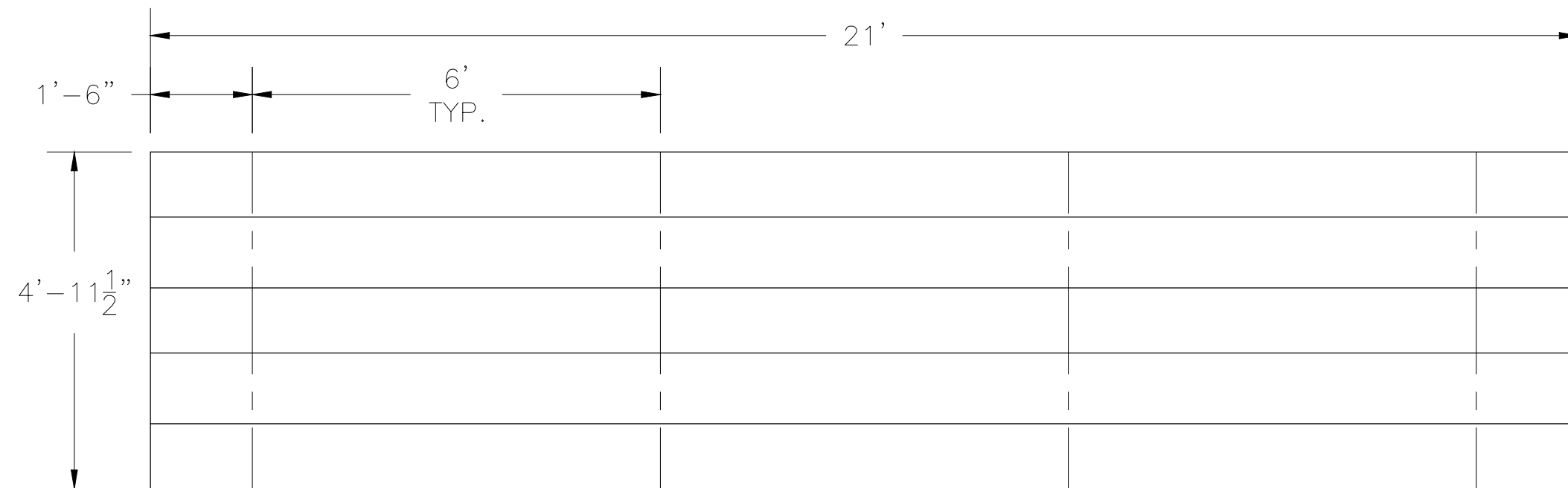
335bl605-2 Assembly Drawings

Aluminum Bleachers - Low Rise Series - 3 Row - 21 Feet - Weight: 351lbs - Seats 42

Park Warehouse, LLC

7495 W. Atlantic Ave. Suite 200-294, Delray Beach, FL 33446

| | |
|------|-------------------------|
| CS.1 | - COVER SHEET |
| TD.1 | - BLEACHER SEATING PLAN |
| FP.1 | - FOUNDATION PLAN |
| AP.1 | - ANCHORING PLAN |
| BA.1 | - BLEACHER ASSEMBLY |
| PF.1 | - PLANK & FRAMING PLAN |
| DS.1 | - DETAIL SHEET |

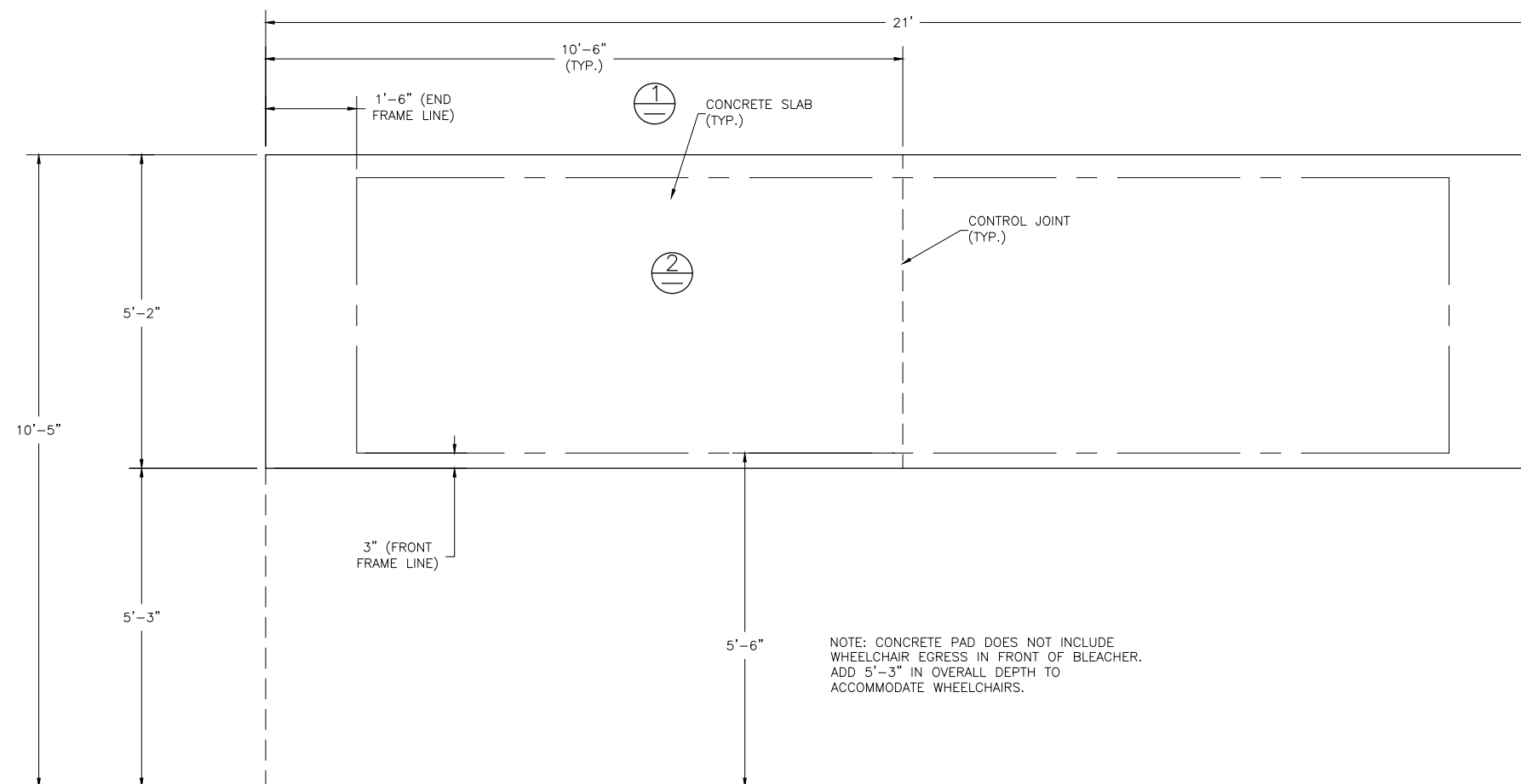


| SECTION LENGTH | GROSS SEATS | ACTUAL SEATS | NO. OF ROWS | NET SEATS |
|----------------|-------------|--------------|-------------|--------------------------------------|
| 21 | 14.00 | 14.00 | 3 | 42 |
| | | | | NET SEATS 42 |
| | | | | WHEELCHAIR SPACES 0 |
| | | | | TOTAL NET SEATING CAPACITY 42 |
| | | | | (BASED ON 18" PER SEAT) |

This drawing and all information contained herein is the property of PARK WAREHOUSE, LLC. and is not to be reproduced without express written permission of this manufacturer. We assume no responsibility for unauthorized use of this drawing. PARK WAREHOUSE, LLC. is not responsible for local permits and occupancy requirements.

Park Warehouse, LLC
 7495 W. Atlantic Ave. Suite 200-294, Delray Beach, FL 33446

| | | |
|--|----------------------|---------------|
| SCALE: N.T.S. | APPROVED BY: | DRAWN BY: JML |
| DATE: 07/22/2016 | | |
| TITLE: NON ELEVATED 3 ROW x 21'-0" BLEACHER SEATING PLAN | | |
| BLEACHER MODEL #: 335b1605-1-STD | DRAWING NUMBER: TD.1 | |



NOTE: CONCRETE PAD DOES NOT INCLUDE WHEELCHAIR EGRESS IN FRONT OF BLEACHER. ADD 5'-3" IN OVERALL DEPTH TO ACCOMMODATE WHEELCHAIRS.

CONCRETE FOUNDATION SPECIFICATIONS

SCOPE:

Foundation construction is not part of Park Warehouse, LLC. scope of work unless noted otherwise in the contract documents. The owner shall review the foundation design with the local code authorities, and coordinate with Park Warehouse, LLC.

FOUNDATION DESIGN & ANCHORS:

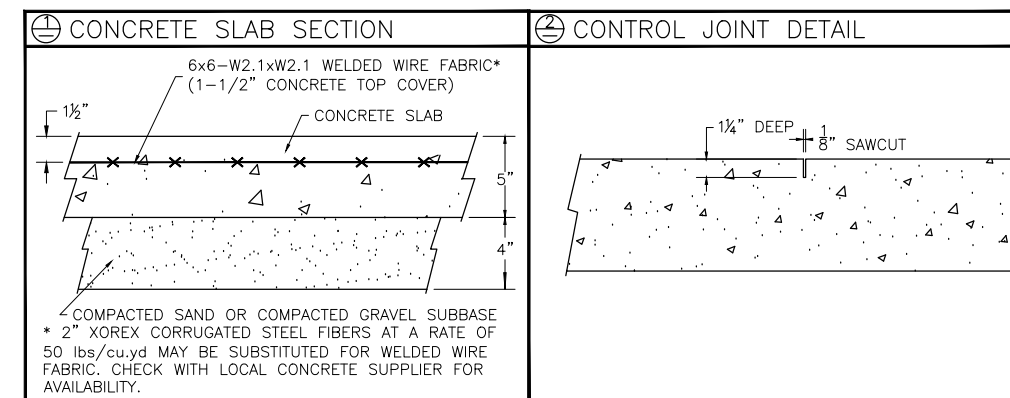
- 1) The foundation designs are based on the following:
 - a. Minimum presumed soil bearing 1000 psf.
 - b. Bleacher frame dead and live load 700 lbs./ft.
 - c. Bleacher frame wind uplift load 250 lbs./ft.
- 2) Unless otherwise noted on the drawings the bleacher frames shall be attached to the concrete with 3/8" dia. x 3" wedge type expansion anchors. The anchors shall be embedded a minimum of 2" into the concrete.

CONCRETE SPECIFICATIONS:

- 1) All concrete construction shall be in accordance with *ACI 318-08*.
- 2) All concrete shall have a minimum 28-day strength of $F_c=3000$ psi.
- 3) A 1/4" bituminous expansion joint material shall be placed between strip and slab foundations when adjacent to each other.
- 4) The depressions in the top of the foundations between high spots shall not exceed 5/16" below a 10-foot long straightedge. The 10-foot straightedge method used to measure foundation flatness shall be in accordance with Section of ACI 302.1R-04 "Guide for Concrete Floor and Slab Construction".

CONCRETE SLAB SPECIFICATIONS:

- 1) Concrete slab shall have a minimum thickness of 5" (Park Warehouse, LLC. recommends, and some areas may require 6" thickness) and placed on 4" of compacted gravel or compacted sand sub-base.
- 2) Park Warehouse, LLC. recommends that the concrete slab be reinforced with 6x6-W2.1xW2.1 welded wire fabric at 1 1/2" concrete cover from the top. In lieu of welded wire fabric, 2" XOREX by Ribbon Technology Corporation or equal corrugated steel fibers applied at a rate of 50-lbs./Cubic Yard may be used. Nylon or polypropylene fiber are not recommended.
- 3) Crack control joints shall be sawed into slab to form approximate square patterns. The maximum spacing for control joints shall not exceed 12'-6", unless shown otherwise on this drawing. The bleacher frames shall not be set on control joints. The designer shall contact Park Warehouse to coordinate joint spacing requirements with the specific bleacher design.
- 4) The slab may be sloped a maximum of 1/8 inch per foot for drainage. The maximum overall out of level slope for the slab perpendicular to the seats (front to rear) shall not exceed 2" and parallel to the seats (end to end) shall not exceed 4".



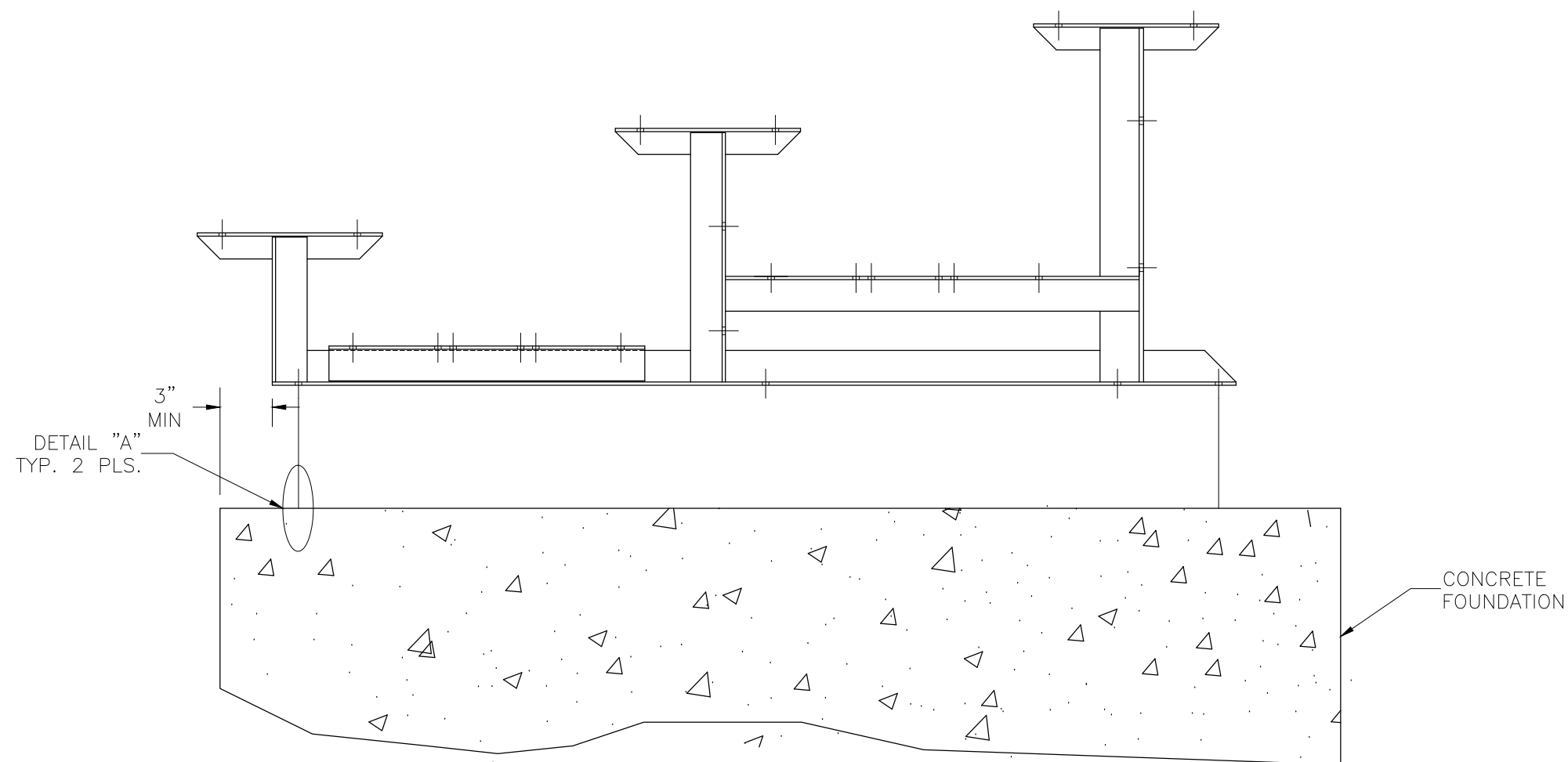
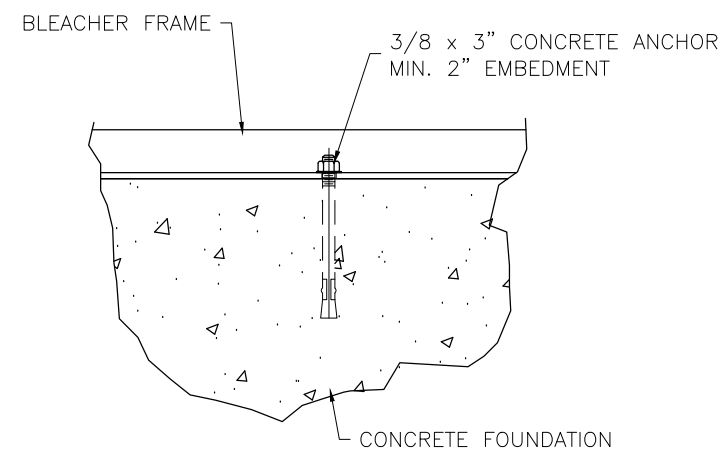
This drawing and all information contained herein is the property of PARK WAREHOUSE, LLC. and is not to be reproduced without express written permission of this manufacturer. We assume no responsibility for unauthorized use of this drawing. PARK WAREHOUSE, LLC. is not responsible for local permits and occupancy requirements.

Park Warehouse, LLC
 7495 W. Atlantic Ave. Suite 200-294, Delray Beach, FL 33446

| | | |
|--|----------------------|---------------|
| SCALE: N.T.S. | APPROVED BY: | DRAWN BY: JML |
| DATE: 7/22/16 | | |
| TITLE: NON ELEVATED 3 ROW x 21'-0" FOUNDATION PLAN | | |
| BLEACHER MODEL #: 335b605-1-STD | DRAWING NUMBER: FP.1 | |

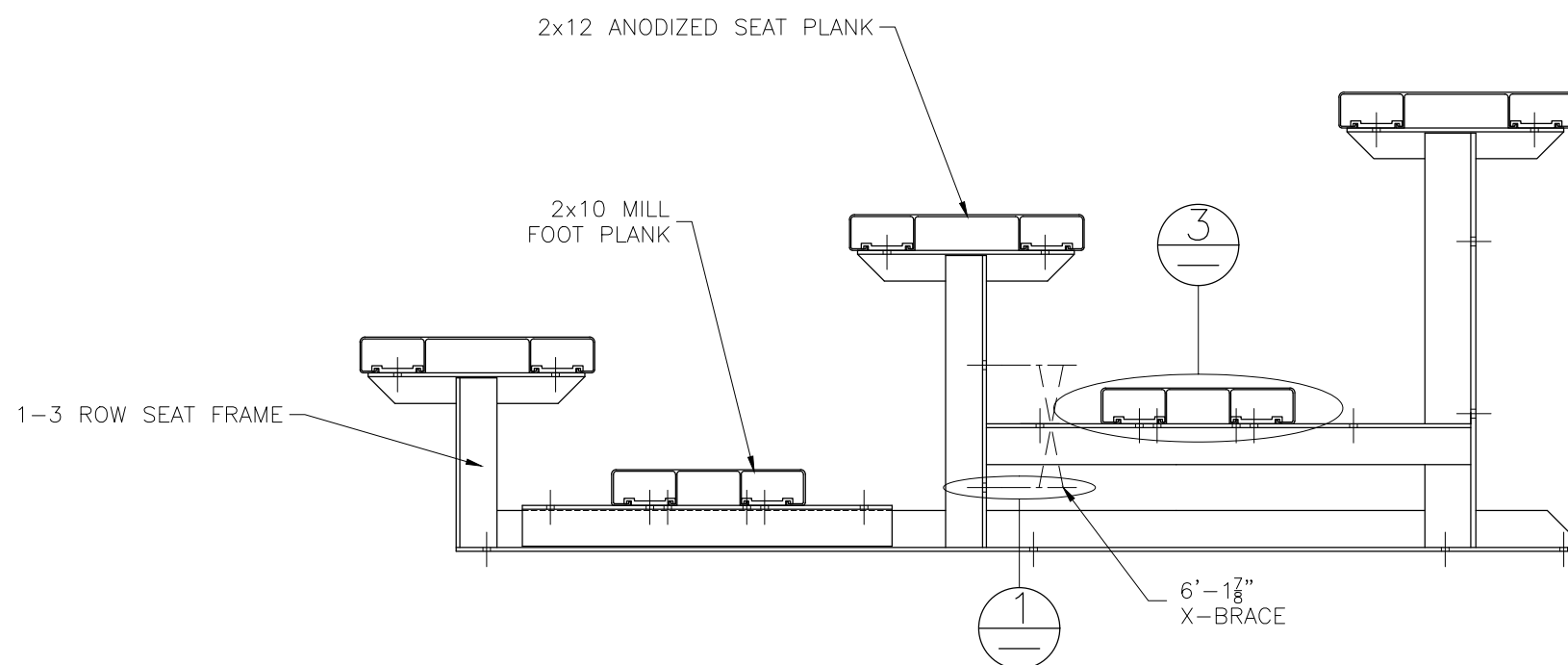


DETAIL "A" - CONCRETE ANCHOR ATTACHMENT



This drawing and all information contained herein is the property of PARK WAREHOUSE, LLC. and is not to be reproduced without express written permission of this manufacturer. We assume no responsibility for unauthorized use of this drawing. PARK WAREHOUSE, LLC. is not responsible for local permits and occupancy requirements.

| | | |
|---|----------------------|---------------|
| Park Warehouse, LLC | | |
| 7495 W. Atlantic Ave. Suite 200-294, Delray Beach, FL 33446 | | |
| SCALE: N.T.S. | APPROVED BY: | DRAWN BY: JML |
| DATE: 7/22/16 | | |
| TITLE: NON ELEVATED 3 ROW x 21'-0" ANCHORING PLAN | | |
| BLEACHER MODEL #: 335bl605-1-STD | DRAWING NUMBER: AP.1 | |



This drawing and all information contained herein is the property of PARK WAREHOUSE, LLC. and is not to be reproduced without express written permission of this manufacturer. We assume no responsibility for unauthorized use of this drawing. PARK WAREHOUSE, LLC. is not responsible for local permits and occupancy requirements.

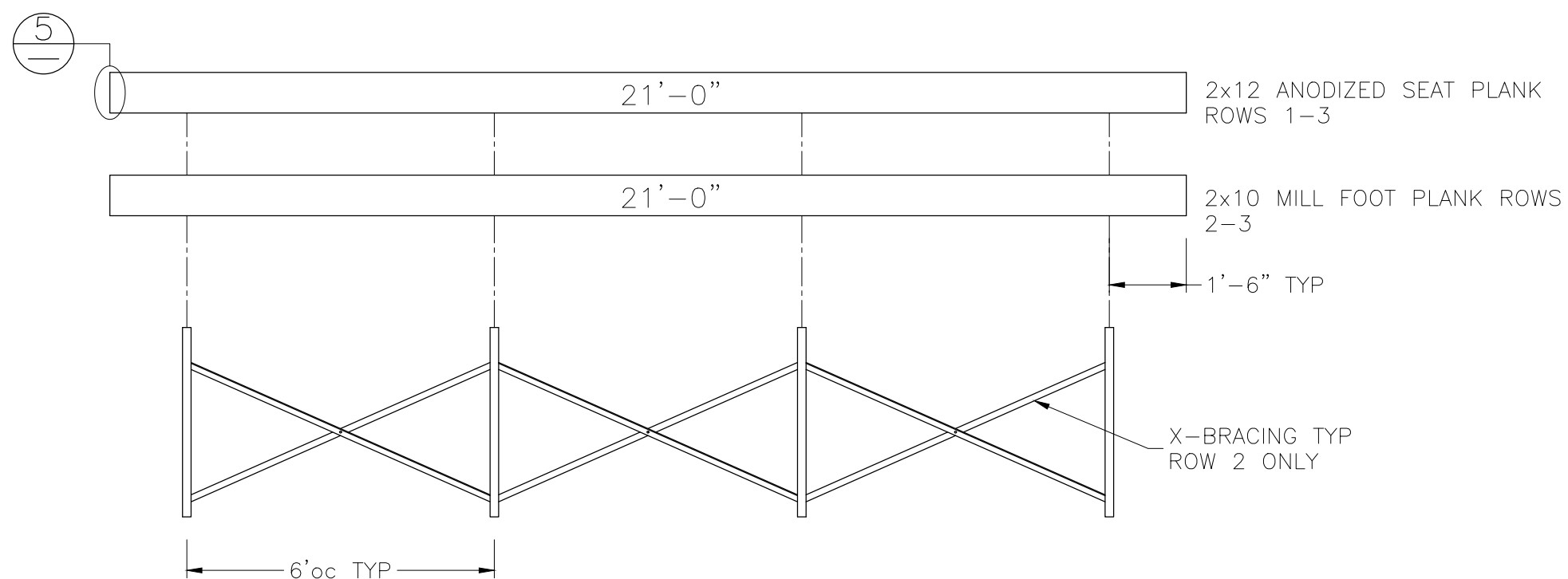
Park Warehouse, LLC

7495 W. Atlantic Ave. Suite 200-294, Delray Beach, FL 33446

| | | |
|--|----------------------|---------------|
| SCALE: N.T.S. | APPROVED BY: | DRAWN BY: JML |
| DATE: 7/22/16 | | |
| TITLE: NON ELEVATED 3 ROW x 21'-0" BLEACHER ASSEMBLY | | |
| BLEACHER MODEL #: 335b1605-1-STD | DRAWING NUMBER: BA.1 | |



PLANK PLAN



FRAMING PLAN

This drawing and all information contained herein is the property of PARK WAREHOUSE, LLC. and is not to be reproduced without express written permission of this manufacturer. We assume no responsibility for unauthorized use of this drawing. PARK WAREHOUSE, LLC. is not responsible for local permits and occupancy requirements.

Park Warehouse, LLC

7495 W. Atlantic Ave. Suite 200-294, Delray Beach, FL 33446

| | | |
|---|----------------------|---------------|
| SCALE: N.T.S. | APPROVED BY: | DRAWN BY: JML |
| DATE: 07/22/2016 | | |
| TITLE: NON ELEV. ALUM. 3 ROW X 21' PLANK & FRAMING PLAN | | |
| BLEACHER MODEL #: 335b1605-1-STD | DRAWING NUMBER: PF.1 | |

| | | | | | |
|---|---|---|---|--|---|
| <p>⊕ TYP X-BRACE CONN. W/ 1/4" BOLT</p> <p>NOT TO SCALE</p> | <p>⊕ TYP X-BRACE CONN. w/3" BOLT</p> <p>NOT TO SCALE</p> | <p>⊕ TYP 2x10/2x12 PLANK ATTCH.</p> <p>NOT TO SCALE</p> | <p>⊕ TYP 1x6 PLANK ATTACHMENT</p> <p>NOT TO SCALE</p> | <p>⊕ TYP 2x10/2x12 ENDCAP ATTCH.</p> <p>NOT TO SCALE</p> | <p>⊕ TYP 1x6 ENDCAP ATTACHMENT</p> <p>NOT TO SCALE</p> |
| <p>⊕ TYP 2x10 SPLICE CONN.</p> <p>NOT TO SCALE</p> | <p>⊕ TYP 1x6 SPLICE CONN.</p> <p>NOT TO SCALE</p> | <p>⊕ REAR GUARDRAIL POST ATTACH.</p> | <p>⊕ SIDE GD. RAIL POST INSTALLATION</p> | <p>⊕ VERT. PIPE DETAIL (NE-SIDE,BOTT.)</p> <p>NOT TO SCALE</p> | <p>⊕ VERT. PIPE DET.-ELEV, SIDE, BOT.</p> <p>NOT TO SCALE</p> |
| <p>⊕ VERT. PIPE DETAIL (SIDE, TOP)</p> <p>NOT TO SCALE</p> | <p>⊕ VERT. PIPE DETAIL-REAR, TOP</p> <p>NOT TO SCALE</p> | <p>⊕ PIPE COUPLER INSTALLATION</p> <p>NOT TO SCALE</p> | <p>⊕ VERT. PIPE DETAIL (FRNT.END)</p> <p>NOT TO SCALE</p> | <p>⊕ FINGER MOUNT DETAIL</p> <p>NOT TO SCALE</p> | <p>⊕ RB-210/BOLT DETAIL</p> <p>NOT TO SCALE</p> |
| <p>⊕ VERTICAL PIPE DETAIL (REAR)</p> <p>NOT TO SCALE</p> | <p>⊕ VERT. PIPE DETAIL (FRNT.END)</p> <p>NOT TO SCALE</p> | <p>⊕ VERT. PIPE DET.- SIDE TOP</p> <p>NOT TO SCALE</p> | <p>⊕ DBL. 2x10 ENDCAP ATTACHMENT</p> <p>NOT TO SCALE</p> | <p>⊕ TENSION BAND ATTACHMENT</p> <p>NOT TO SCALE</p> | <p>⊕ TYP X-BRACE CONN. W/ 1/4 BOLT</p> <p>NOT TO SCALE</p> |



This drawing and all information contained herein is the property of PARK WAREHOUSE, LLC. and is not to be reproduced without express written permission of this manufacturer. We assume no responsibility for unauthorized use of this drawing. PARK WAREHOUSE, LLC. is not responsible for local permits and occupancy requirements.

Park Warehouse, LLC
7495 W. Atlantic Ave. Suite 200-294, Delray Beach, FL 33446

| | | |
|----------------------------------|----------------------|---------------|
| SCALE: N.T.S. | APPROVED BY: | DRAWN BY: JML |
| DATE: 07/22/2016 | | |
| TITLE: DETAIL SHEETS | | |
| BLEACHER MODEL #: 335b1605-1-STD | DRAWING NUMBER: DS.1 | |