



## ***335bl600-10 Assembly Drawings***

***Aluminum Bleachers - Low Rise Series - 3 Row - 9 Feet - Weight: 288lbs - Seats 24***

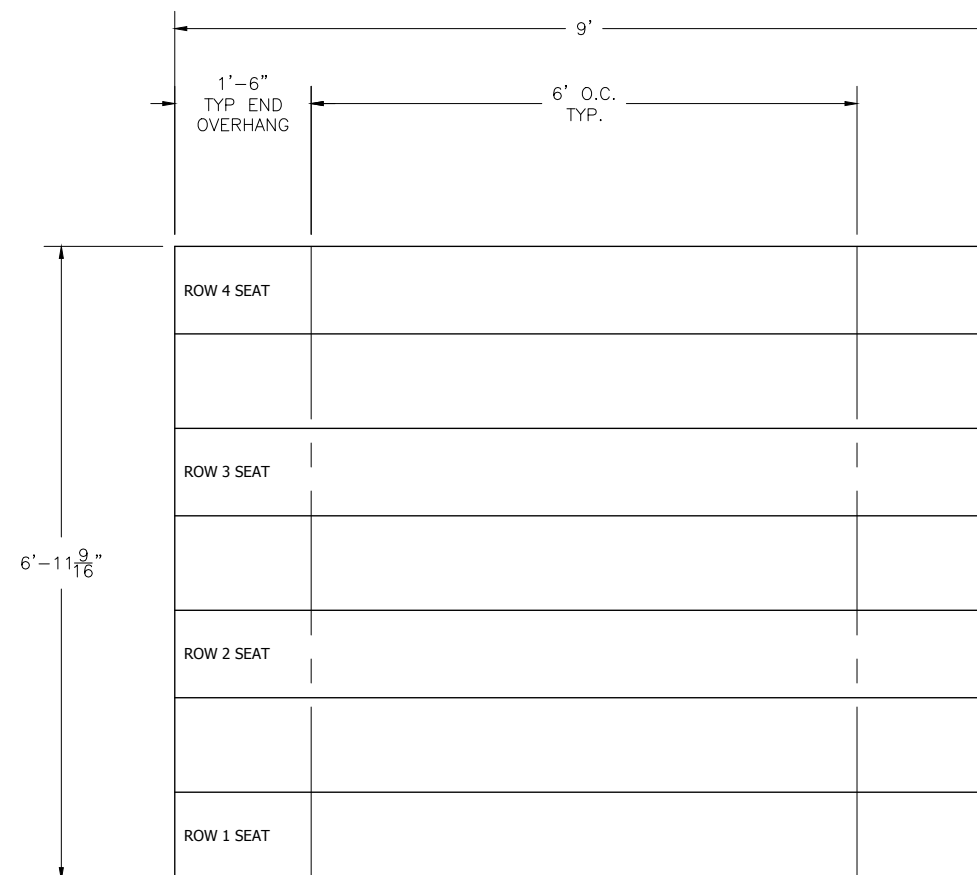
### **Park Warehouse, LLC**

**7495 W. Atlantic Ave. Suite 200-294 Delray Beach, FL 33446**

CS.1	- COVER SHEET
TD.1	- BLEACHER SEATING PLAN
FP.1	- FOUNDATION PLAN
BA.1	- BLEACHER ASSEMBLY
AP.1	- ANCHORING PLAN
PF.1	- PLANK & FRAMING PLAN



**BLEACHER TOP VIEW**



SECTION LENGTH	GROSS SEATS	ACTUAL SEATS	NO. OF ROWS	NET SEATS
9	6.00	6.00	4	24
				<b>NET SEATS 24</b>
				<b>WHEELCHAIR SPACES 0</b>
				<b>TOTAL NET SEATING CAPACITY 24</b>
				<b>(BASED ON 18" PER SEAT)</b>

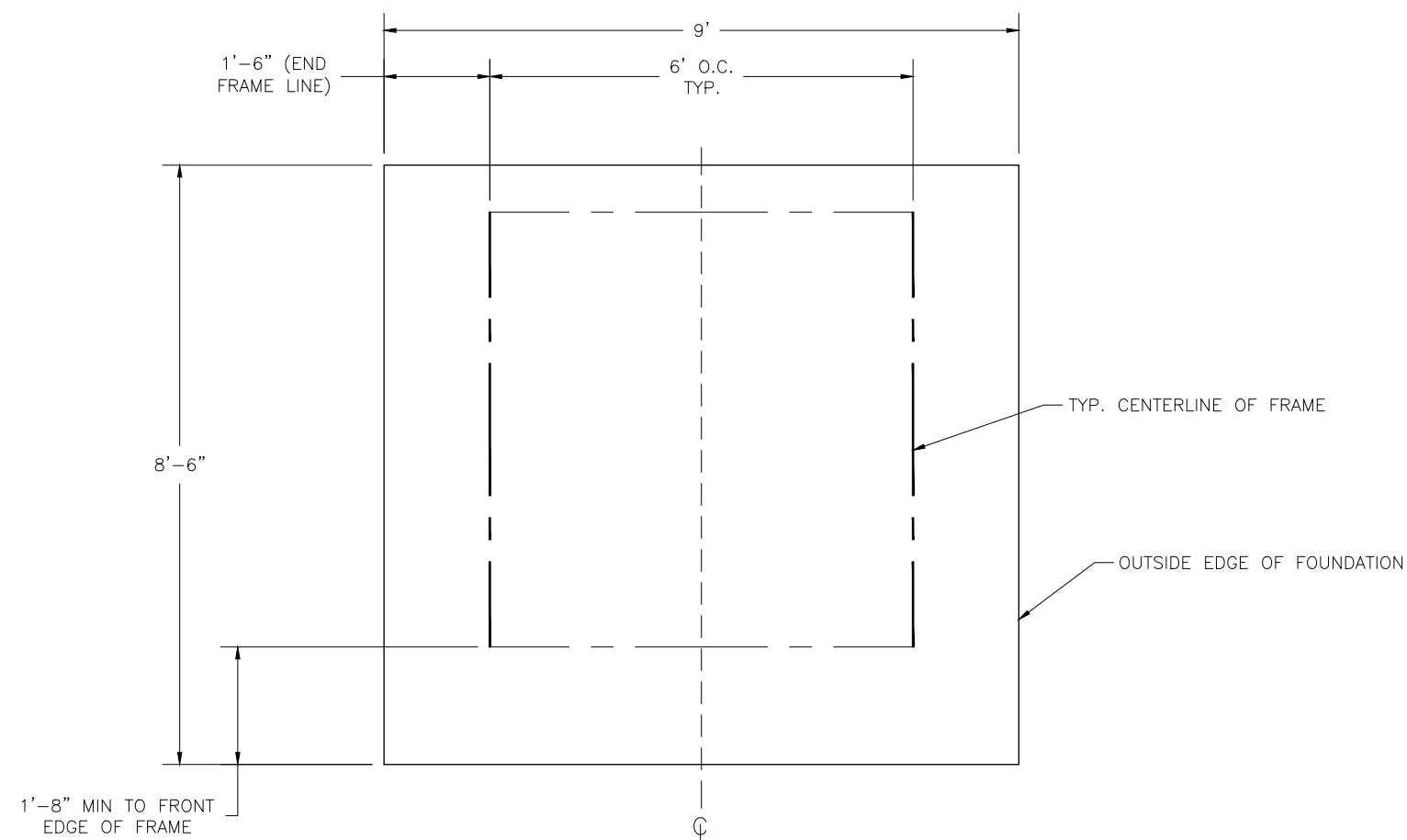
This drawing and all information contained herein is the property of PARK WAREHOUSE, LLC. and is not to be reproduced without express written permission of this manufacturer. We assume no responsibility for unauthorized use of this drawing. PARK WAREHOUSE, LLC. is not responsible for local permits and occupancy requirements.

**Park Warehouse, LLC**  
 7495 W. Atlantic Ave. Suite 200-294 Delray Beach, FL 33446

SCALE: N.T.S.	REVISION:	DRAWN BY: MME
DATE: 7/21/17		
TITLE: 4 ROW x 9'-0" BLEACHER SEATING PLAN		
BLEACHER MODEL #: 335bl610-10-STD	DRAWING NUMBER: TD.1	



### LOCATE FRAMES ON FOUNDATION



\* MINIMUM FOUNDATION AREA SHOWN. DEPENDING ON LOCAL SOIL CONDITIONS, BLEACHER CAN BE INSTALLED ON A CONCRETE PAD OR FOOTERS, OR ATTACHED TO 2x6 TREATED LUMBER GROUND SILLS AND PLACED ON COMPACTED STONE, ASPHALT, OR ANY OTHER SMOOTH, SOLID, LEVEL SURFACE. CONSULT YOUR LOCAL CONCRETE CONTRACTOR TO DETERMINE PROPER CONCRETE SPECIFICATIONS FOR YOUR LOCAL SOIL AND WEATHER-RELATED CONDITIONS. THE BEARING SURFACE MUST BE CAPABLE OF SUPPORTING A MINIMUM OF 660 POUNDS PER LINEAR FOOT. TO MEET LOCAL CODES, BLEACHERS WILL NEED TO BE ANCHORED. ANCHORING SYSTEMS FOR ALL SURFACE TYPES ARE AVAILABLE - CONTACT YOUR BLEACHER SALES REPRESENTATIVE FOR MORE INFORMATION.

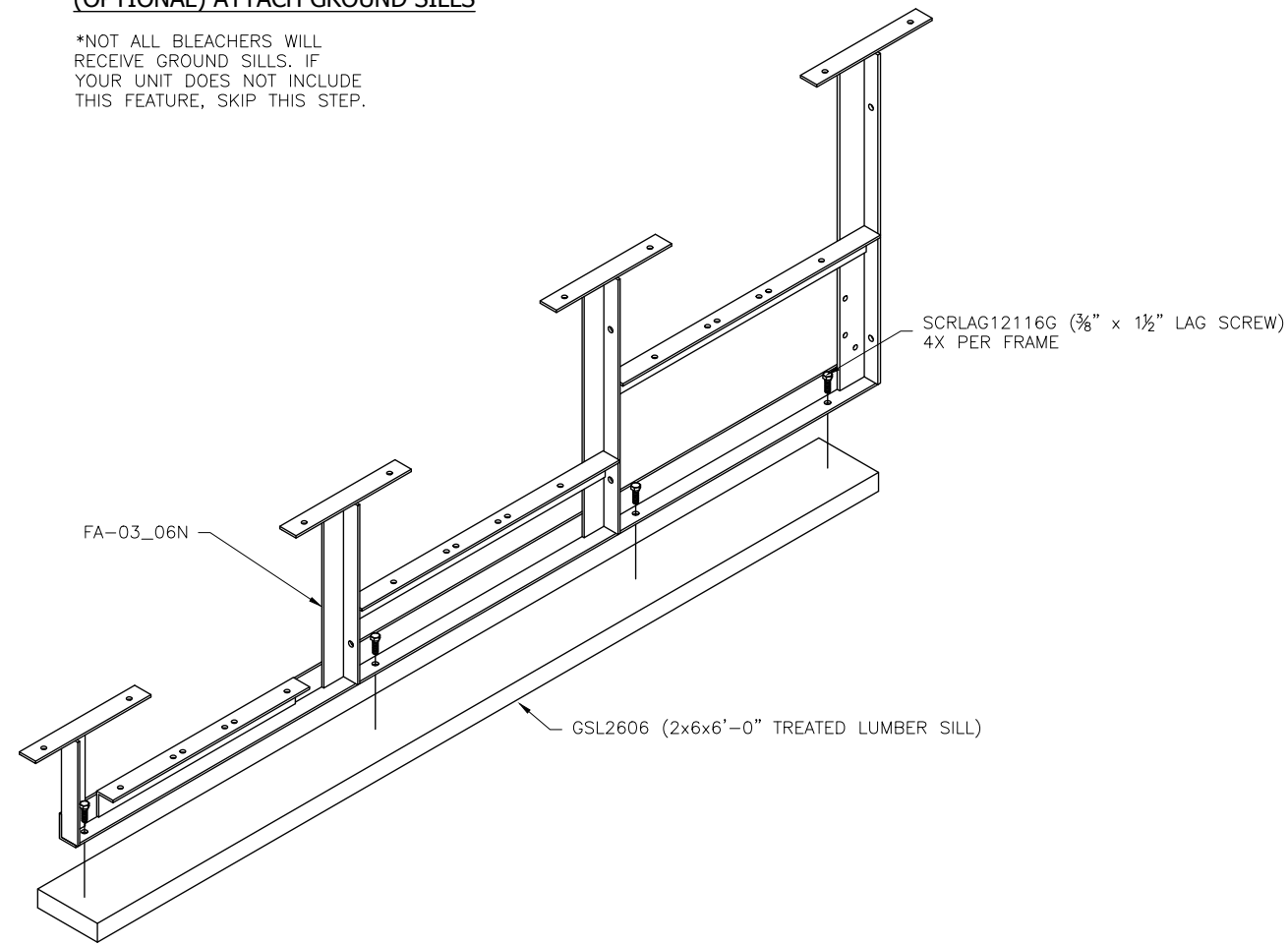
This drawing and all information contained herein is the property of PARK WAREHOUSE, LLC. and is not to be reproduced without express written permission of this manufacturer. We assume no responsibility for unauthorized use of this drawing. PARK WAREHOUSE, LLC. is not responsible for local permits and occupancy requirements.

**Park Warehouse, LLC**  
 7495 W. Atlantic Ave. Suite 200-294 Delray Beach, FL 33446

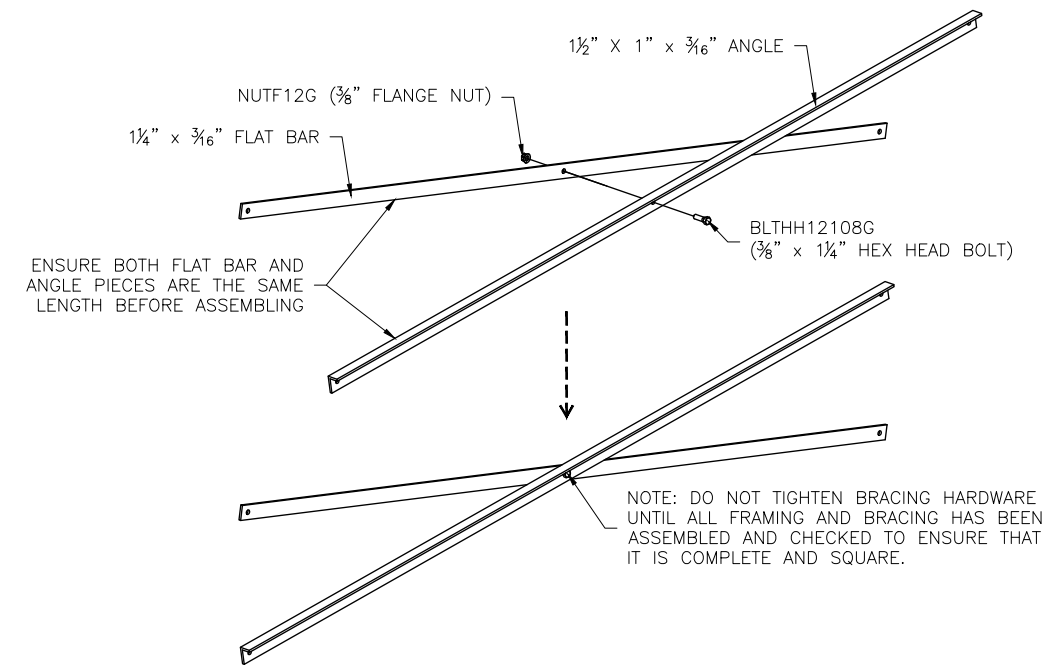
SCALE: N.T.S.	REVISION:	DRAWN BY: MME
DATE: 7/21/17		
TITLE: 4 ROW x 9'-0" BLEACHER FOUNDATION PLAN		
BLEACHER MODEL #: 335bl610-10-STD	DRAWING NUMBER: FP.1	

**(OPTIONAL) ATTACH GROUND SILLS \***

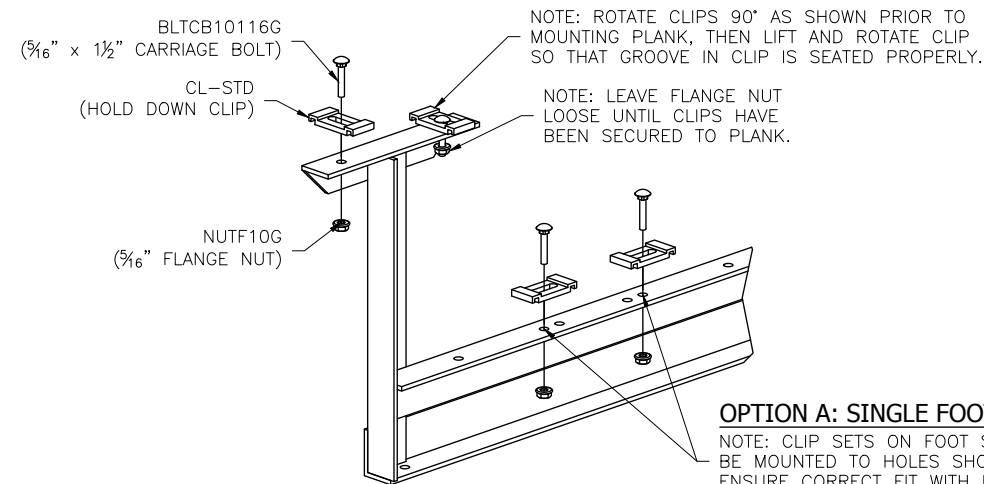
\*NOT ALL BLEACHERS WILL RECEIVE GROUND SILLS. IF YOUR UNIT DOES NOT INCLUDE THIS FEATURE, SKIP THIS STEP.



**PRE-ASSEMBLE X-BRACE PAIR(S)**

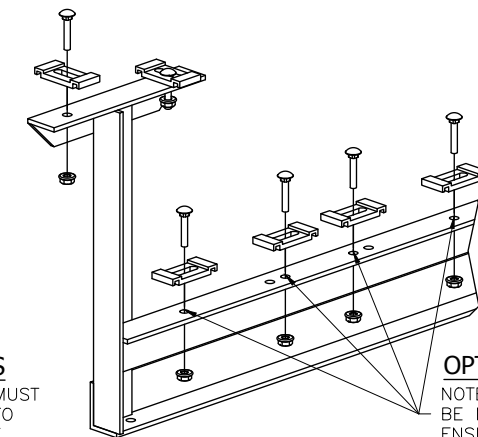


**ONCE FRAMING IS COMPLETE,  
PRE-ASSEMBLE CLIP SETS ON BLEACHER FRAMES**



**OPTION A: SINGLE FOOT BOARDS**

NOTE: CLIP SETS ON FOOT SUPPORTS MUST BE MOUNTED TO HOLES SHOWN HERE TO ENSURE CORRECT FIT WITH FOOT PLANK.



**OPTION B: DOUBLE FOOT BOARDS**

NOTE: CLIP SETS ON FOOT SUPPORTS MUST BE MOUNTED TO HOLES SHOWN HERE TO ENSURE CORRECT FIT WITH FOOT PLANK.



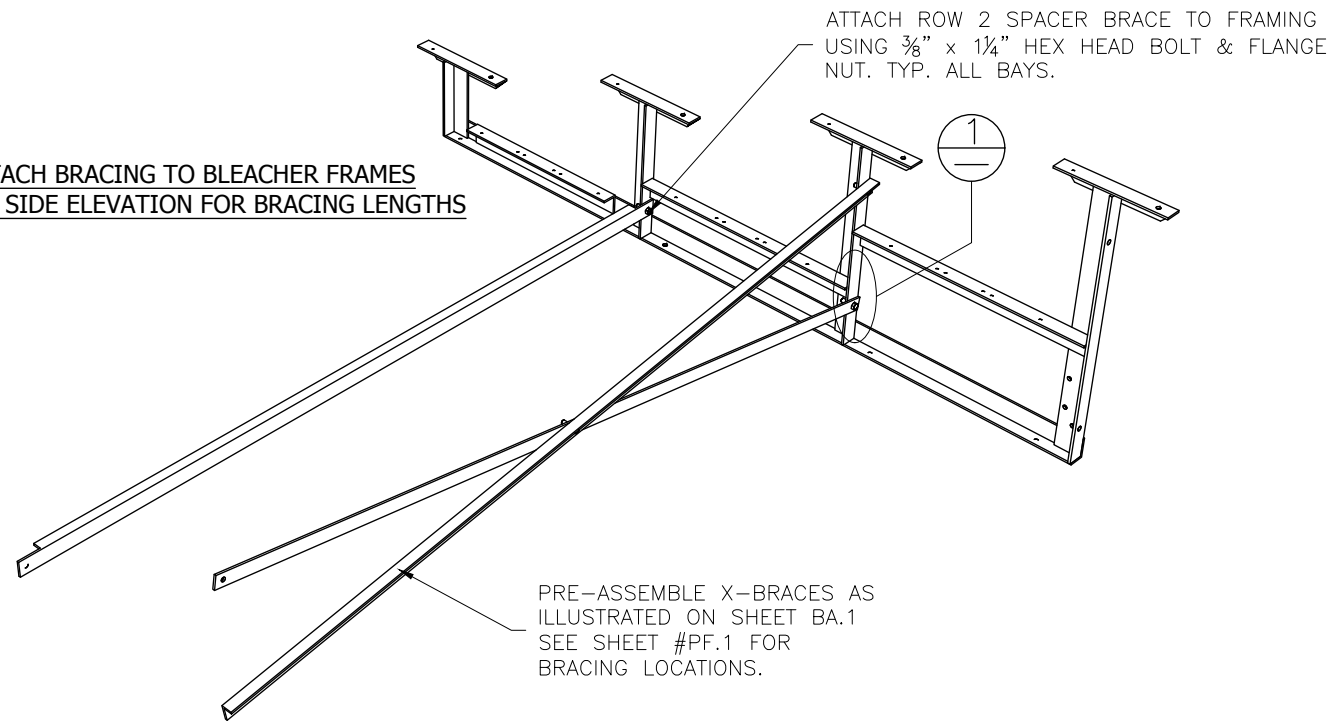
This drawing and all information contained herein is the property of PARK WAREHOUSE, LLC. and is not to be reproduced without express written permission of this manufacturer. We assume no responsibility for unauthorized use of this drawing. PARK WAREHOUSE, LLC. is not responsible for local permits and occupancy requirements.

**Park Warehouse, LLC**  
7495 W. Atlantic Ave. Suite 200-294 Delray Beach, FL 33446

SCALE: N.T.S.	REVISION:	DRAWN BY: MME
DATE: 7/21/17		
TITLE: 4 ROW X 9'-0" FRAMING & CLIP SET PREPARATION		
BLEACHER MODEL #: 335bl610-10-STD		DRAWING NUMBER: BA.1

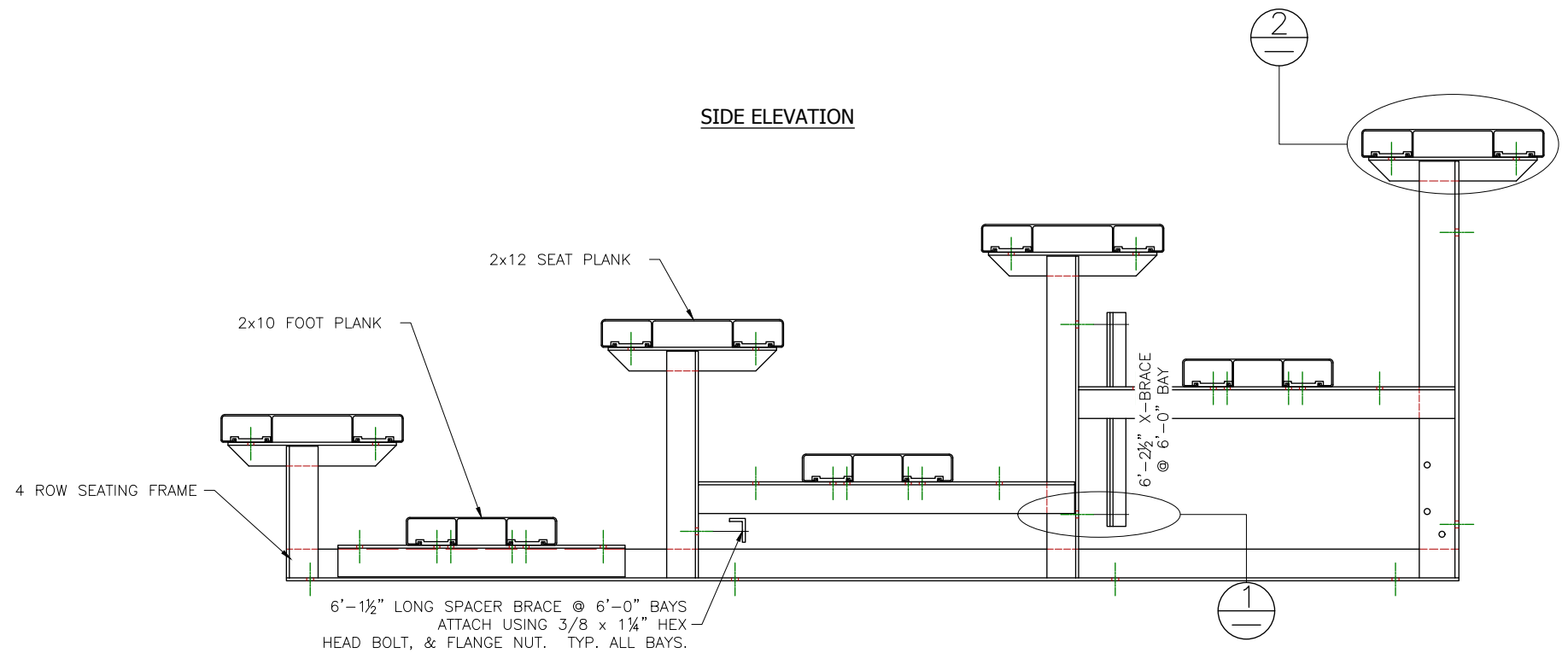


ATTACH BRACING TO BLEACHER FRAMES  
SEE SIDE ELEVATION FOR BRACING LENGTHS

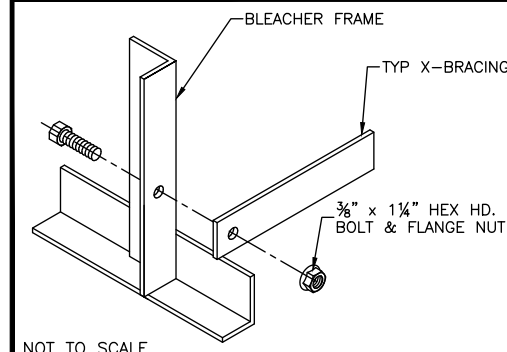


PRE-ASSEMBLE X-BRACES AS ILLUSTRATED ON SHEET BA.1  
SEE SHEET #PF.1 FOR BRACING LOCATIONS.

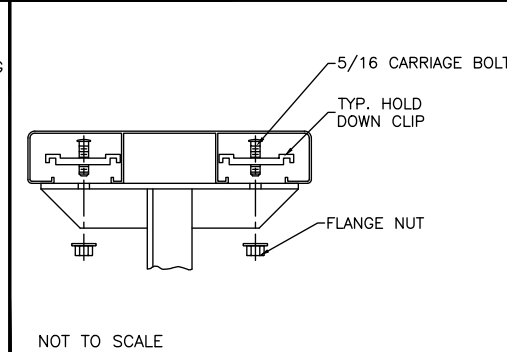
SIDE ELEVATION



⊕ TYP X-BRACE CONN. W/ 1/4 BOLT ⊖ TYP 2x10 PLANK ATTACHMENT



NOT TO SCALE



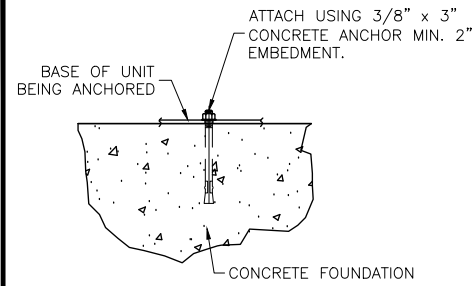
NOT TO SCALE

This drawing and all information contained herein is the property of PARK WAREHOUSE, LLC. and is not to be reproduced without express written permission of this manufacturer. We assume no responsibility for unauthorized use of this drawing. PARK WAREHOUSE, LLC. is not responsible for local permits and occupancy requirements.

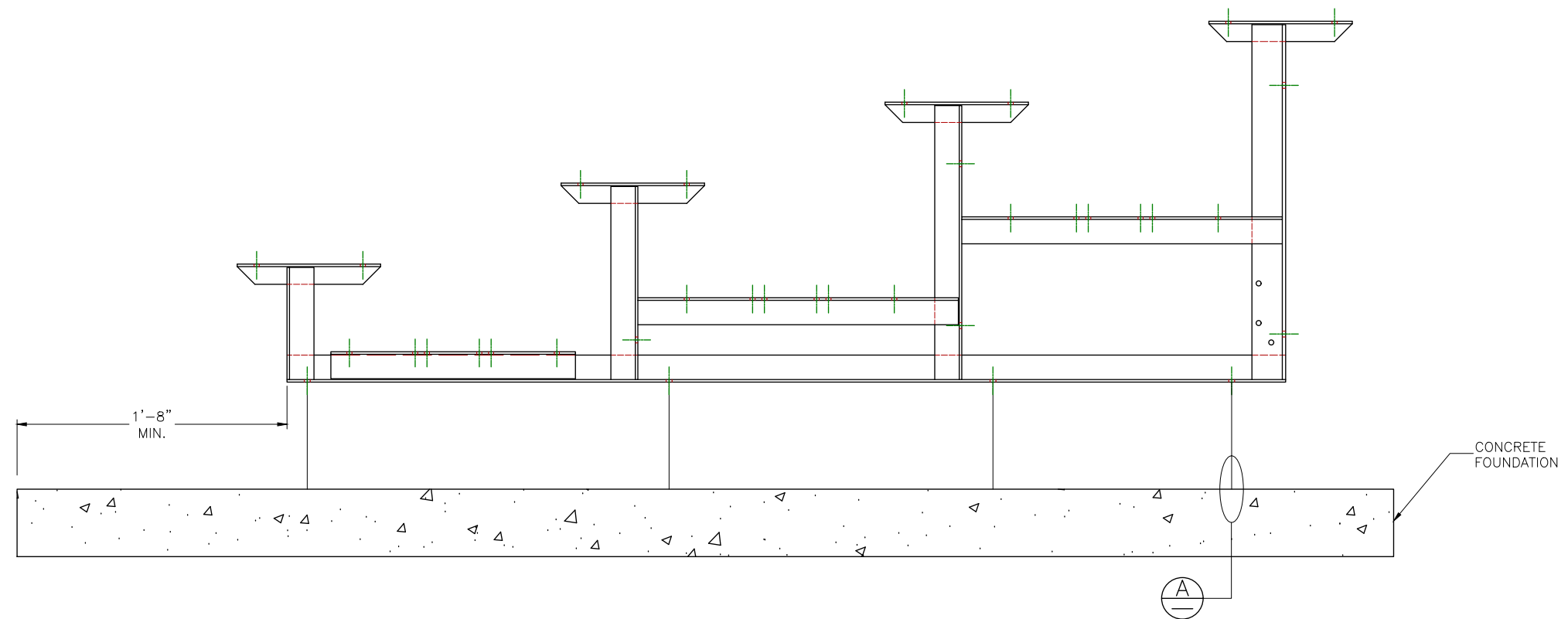
**Park Warehouse, LLC**  
7495 W. Atlantic Ave. Suite 200-294 Delray Beach, FL 33446

SCALE: N.T.S.	REVISION:	DRAWN BY: MME
DATE: 7/21/17		
TITLE: 10 ROW X 9'-0" FRAMING ASSEMBLY		
BLEACHER MODEL #: 335bl610-10-STD	DRAWING NUMBER: BA.1	

Ⓐ WEDGE ANCHOR DETAIL - 3"



(OPTIONAL) ANCHOR BLEACHER TO CONCRETE FOUNDATION \*



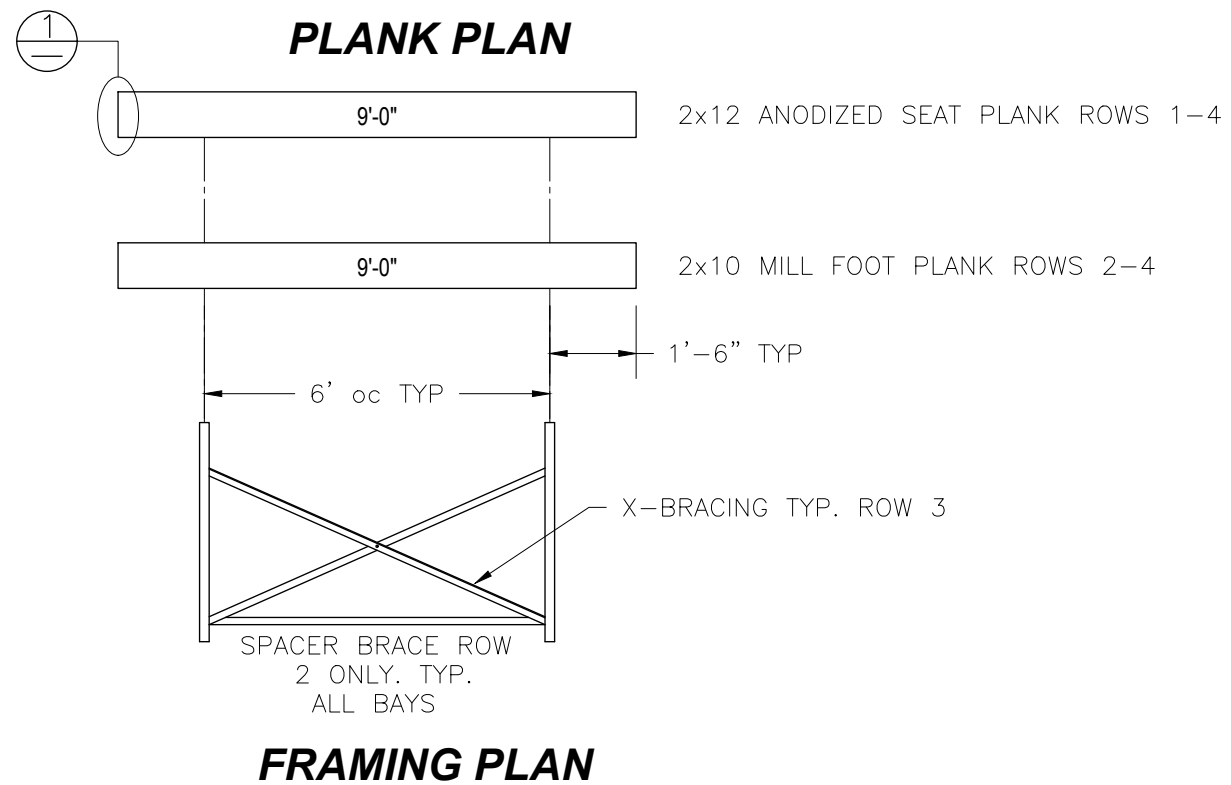
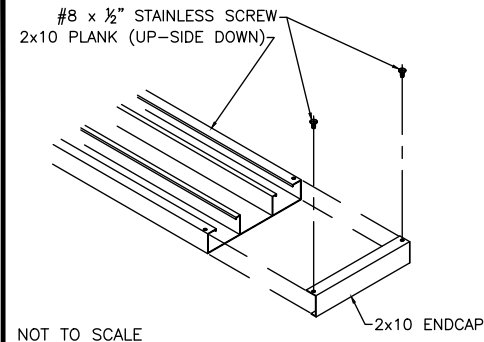
\* CONCRETE WEDGE ANCHORS NOT INCLUDED WITH ALL UNITS. IF USING OTHER ANCHORING SYSTEM, SKIP THIS STEP AND REFER TO INSTRUCTIONS SPECIFIC TO THE ANCHORING SYSTEM PURCHASED FOR YOUR UNIT. SEE PRINT FP.1 (INCLUDED IN THIS PACKET) FOR GENERAL CONCRETE FOUNDATION SPECIFICATIONS.

This drawing and all information contained herein is the property of PARK WAREHOUSE, LLC. and is not to be reproduced without express written permission of this manufacturer. We assume no responsibility for unauthorized use of this drawing. PARK WAREHOUSE, LLC. is not responsible for local permits and occupancy requirements.

**Park Warehouse, LLC**  
 7495 W. Atlantic Ave. Suite 200-294 Delray Beach, FL 33446

SCALE: N.T.S.	REVISION:	DRAWN BY: MME
DATE: 7/21/17		
TITLE: 4 ROW CONCRETE ANCHORING PLAN		
BLEACHER MODEL #: 335bl610-10-STD	DRAWING NUMBER: AP.1	

① TYP 2x10 ENDCAP ATTACHMENT



This drawing and all information contained herein is the property of PARK WAREHOUSE, LLC. and is not to be reproduced without express written permission of this manufacturer. We assume no responsibility for unauthorized use of this drawing. PARK WAREHOUSE, LLC. is not responsible for local permits and occupancy requirements.

<b>Park Warehouse, LLC</b>		
7495 W. Atlantic Ave. Suite 200-294 Delray Beach, FL 33446		
SCALE: N.T.S.	REVISION:	DRAWN BY: MME
DATE: 7/21/17		
TITLE: 4 ROW x 9'-0" BLEACHER PLANK & FRAMING PLAN		
BLEACHER MODEL #: 335bl610-10-STD	DRAWING NUMBER: PF.1	