



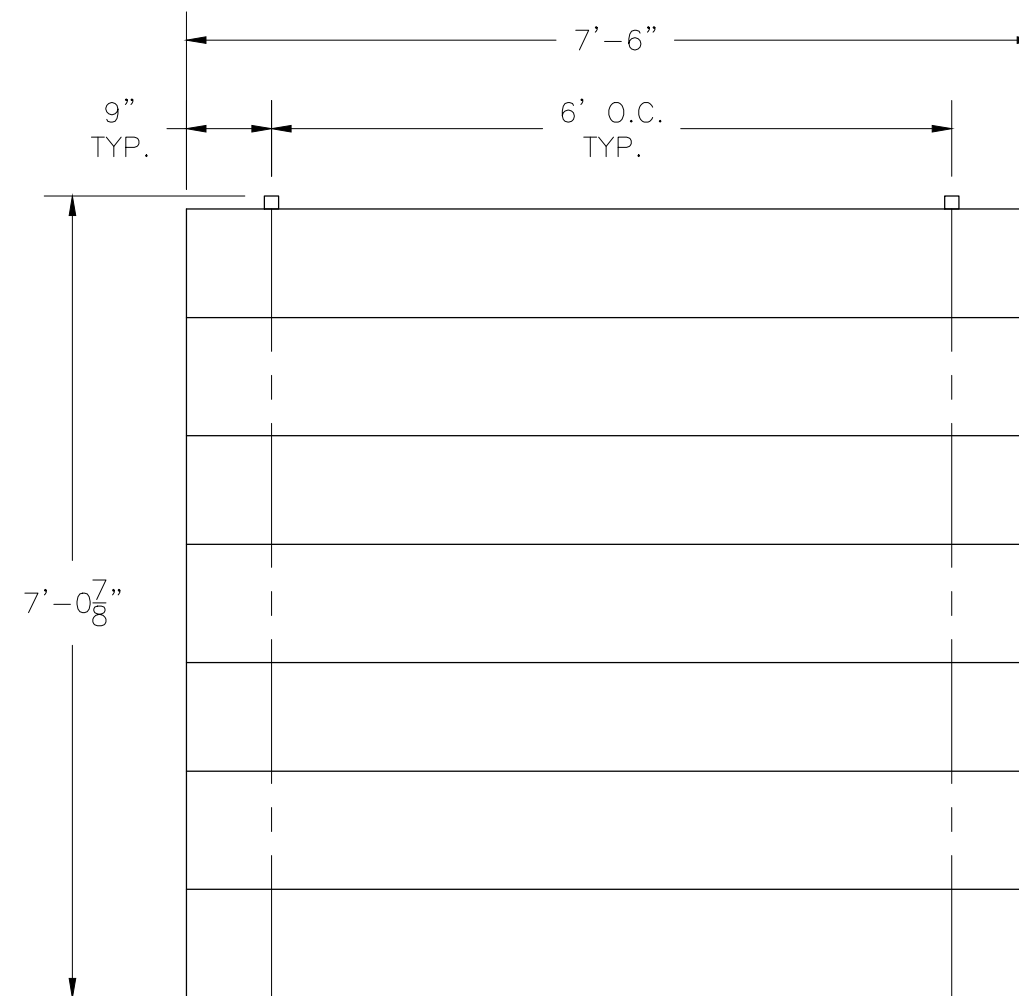
# ***335bl600-4 Assembly Drawings***

***Tip & Roll - Aluminum Bleachers - Low Rise Series - 4 Row - 7 Feet 6 Inches - Weight: 240lbs - Seats 20***

**Park Warehouse, LLC**

7495 W. Atlantic Ave. Suite 200-294, Delray Beach, FL 33446

CS.1	- COVER SHEET
TD.1	- BLEACHER SEATING PLAN
BA.1	- BLEACHER ASSEMBLY
PF.1	- PLANK & FRAMING PLAN



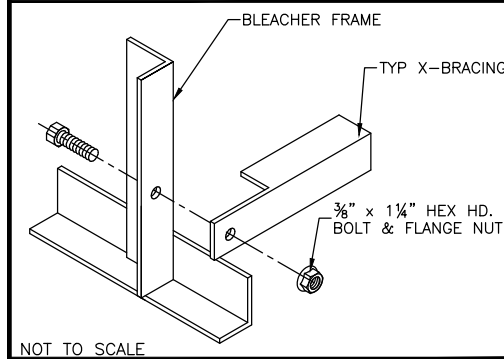
SECTION LENGTH	GROSS SEATS	ACTUAL SEATS	NO. OF ROWS	NET SEATS
7.5	5.00	5.00	4	20
<b>NET SEATS</b>				<b>20</b>
<b>WHEELCHAIR SPACES</b>				<b>0</b>
<b>TOTAL NET SEATING CAPACITY (BASED ON 18" PER SEAT)</b>				<b>20</b>

This drawing and all information contained herein is the property of PARK WAREHOUSE, LLC. and is not to be reproduced without express written permission of this manufacturer. We assume no responsibility for unauthorized use of this drawing. PARK WAREHOUSE, LLC. is not responsible for local permits and occupancy requirements.

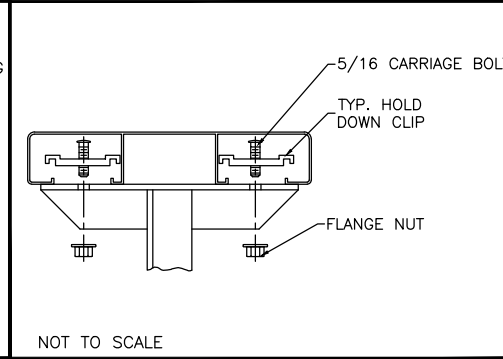
**Park Warehouse, LLC**  
 7495 W. Atlantic Ave. Suite 200-294, Delray Beach, FL 33446

SCALE: N.T.S.	APPROVED BY: IMP	DRAWN BY: JML
DATE: 2/18/16	8/29/16	
TITLE: 4 ROW x 7'-6" TIP & ROLL BLEACHER SEATING PLAN		
BLEACHER MODEL #: 335bl600-4-STD		DRAWING NUMBER: TD.1

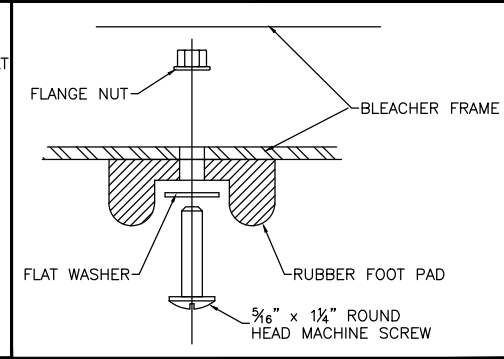
⊕ TYP X-BRACE CONN. W/ 1 1/4" BOLT



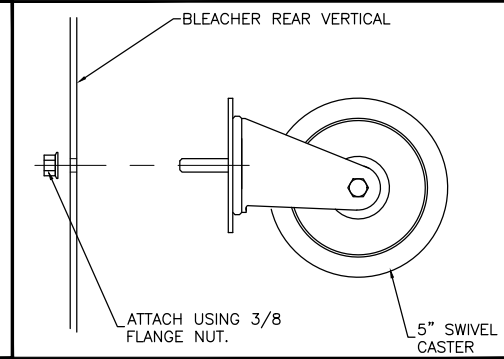
⊕ TYP 2x10 PLANK ATTACHMENT



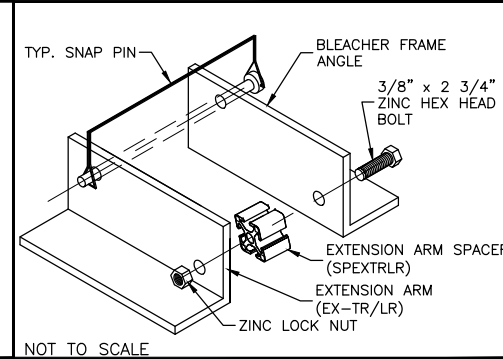
⊕ RUBBER FOOT PAD ATTACH. DETAIL



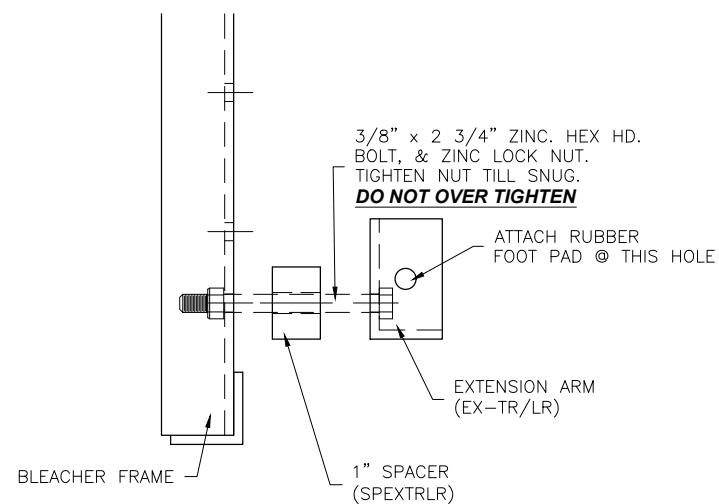
⊕ CASTER ATTACHMENT DETAIL



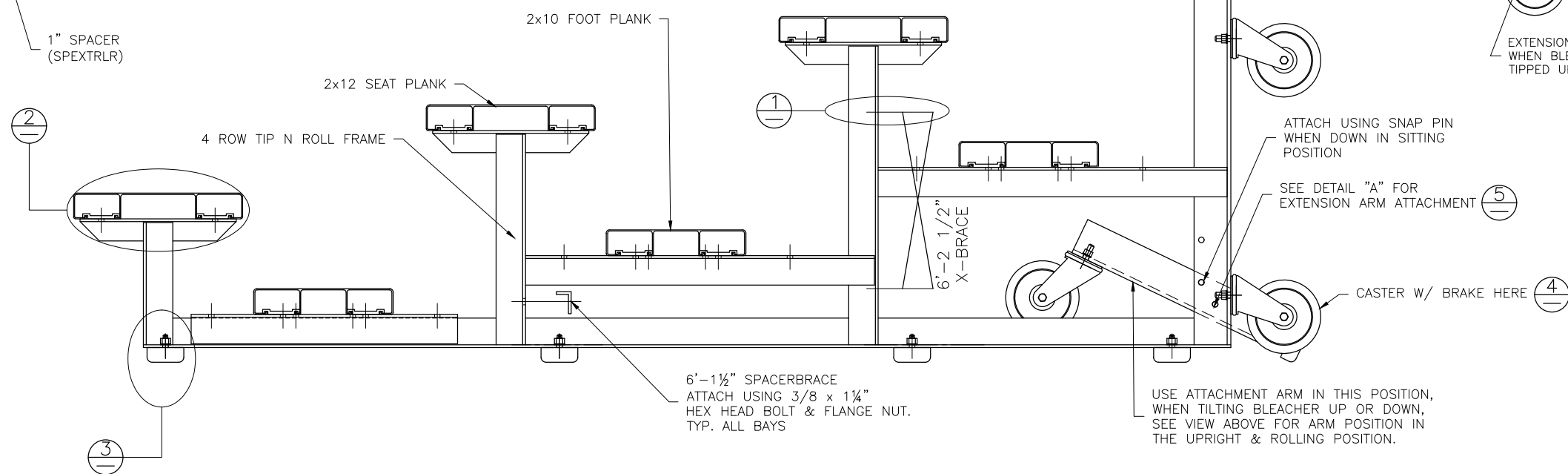
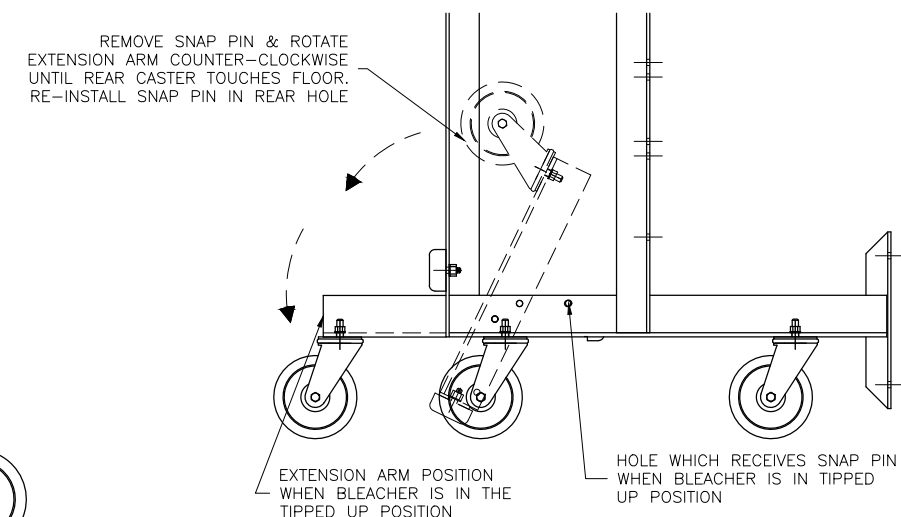
⊕ SNAP PIN CONNECTION



EXTENSION ARM ATTACHMENT DETAIL



EXTENSION ARM PLACEMENT DETAIL



NOTE: MOUNT CASTERS TO END FRAMES ONLY.

# WARNING

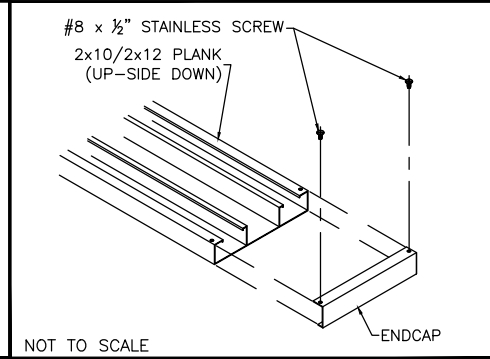
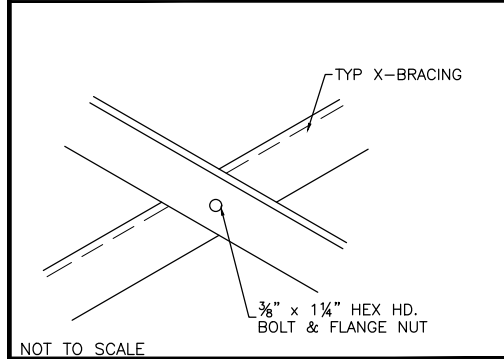
TIP N' ROLL BLEACHERS ARE SUITABLE FOR INDOOR OR OUTDOOR USE. HOWEVER, THEY SHOULD ONLY BE TIPPED UP ON THE CASTERS INDOORS, DUE TO POTENTIAL WIND HAZARDS IF TIPPED UP OUTDOORS. THESE LIGHT-WEIGHT UNITS ARE EASILY TIPPED UP BY ANY ABLE-BODIED ADULT.

This drawing and all information contained herein is the property of PARK WAREHOUSE, LLC. and is not to be reproduced without express written permission of this manufacturer. We assume no responsibility for unauthorized use of this drawing. PARK WAREHOUSE, LLC. is not responsible for local permits and occupancy requirements.

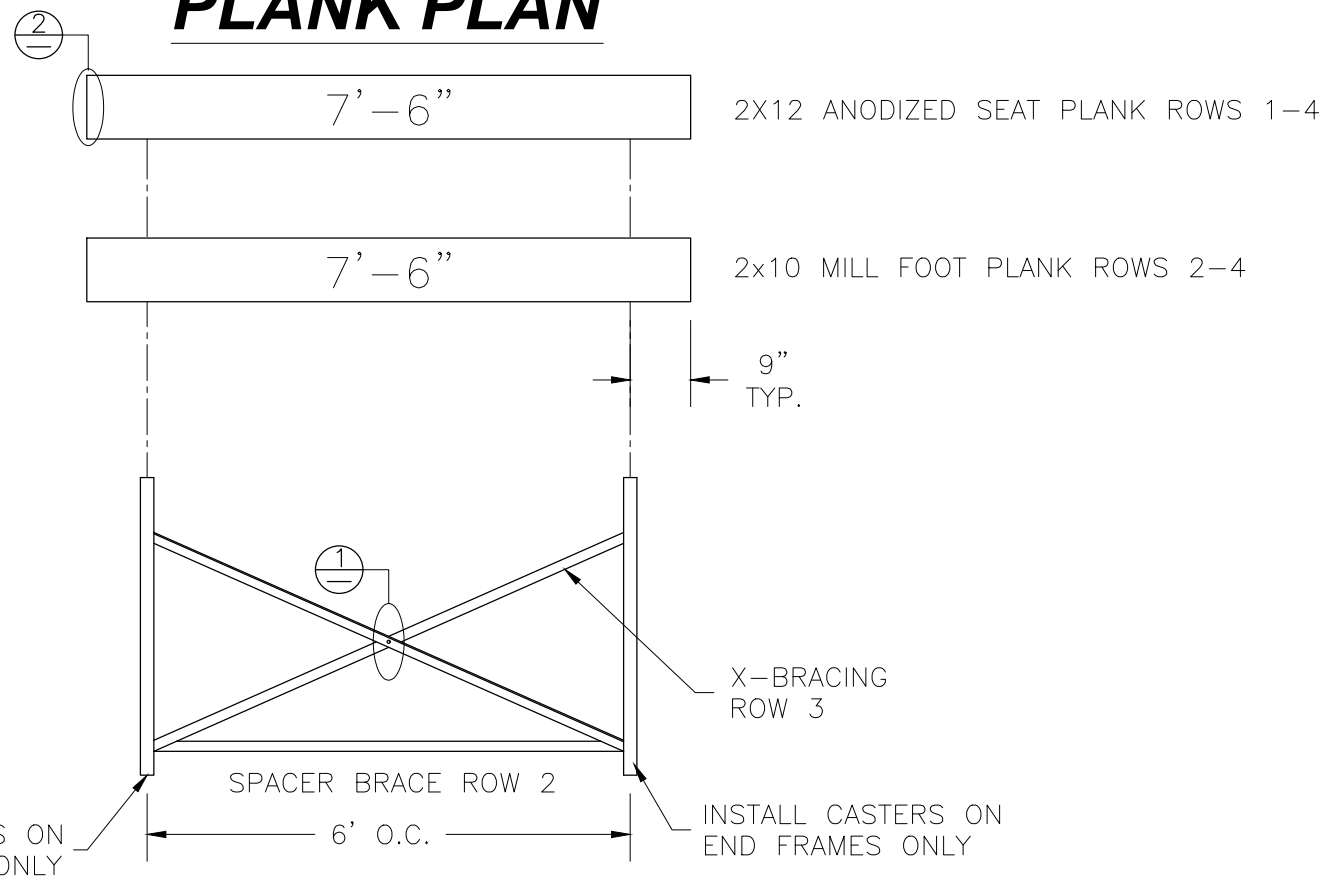
<b>Park Warehouse, LLC</b>		
7495 W. Atlantic Ave. Suite 200-294, Delray Beach, FL 33446		
SCALE: N.T.S.	APPROVED BY: IMP 8/29/16	DRAWN BY: JML
DATE: 2/18/16	TITLE: 4 ROW TIP & ROLL BLEACHER ASSEMBLY	
BLEACHER MODEL # 335bl600-4-STD	DRAWING NUMBER: BA.1	

⊕ TYP X-BRACE CONN. W/ 1 1/4" BOLT

⊕ TYP 2x10/2x12 ENDCAP ATTACH.



## PLANK PLAN



## FRAMING PLAN

INSTALL CASTERS ON END FRAMES ONLY

INSTALL CASTERS ON END FRAMES ONLY

This drawing and all information contained herein is the property of PARK WAREHOUSE, LLC. and is not to be reproduced without express written permission of this manufacturer. We assume no responsibility for unauthorized use of this drawing. PARK WAREHOUSE, LLC. is not responsible for local permits and occupancy requirements.

### Park Warehouse, LLC

7495 W. Atlantic Ave. Suite 200-294, Delray Beach, FL 33446

SCALE: N.T.S.	APPROVED BY: IMP 8/29/16	DRAWN BY: JML
DATE: 2/18/16		
TITLE: 4 ROW x 7'-6" TIP & ROLL PLANK & FRAMING PLAN		
BLEACHER MODEL #: 335b1600-4-STD	DRAWING NUMBER: PF.1	