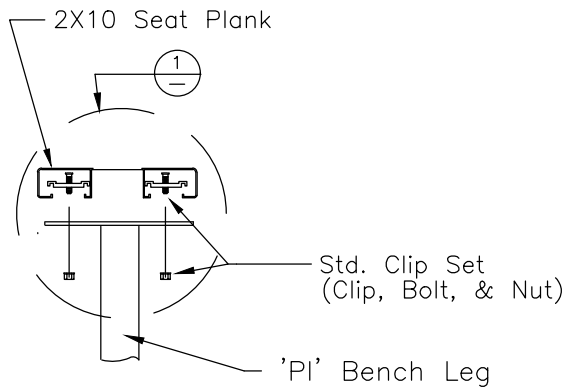


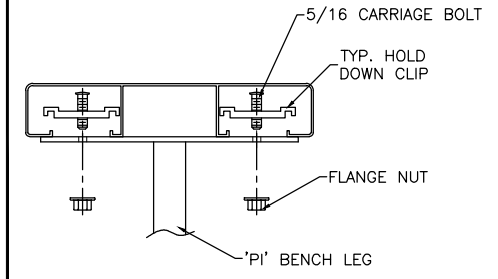
ISOMETRIC VIEW OF BENCH ASSEMBLY

Note: Seat Plank Shown Dotted for Clarity



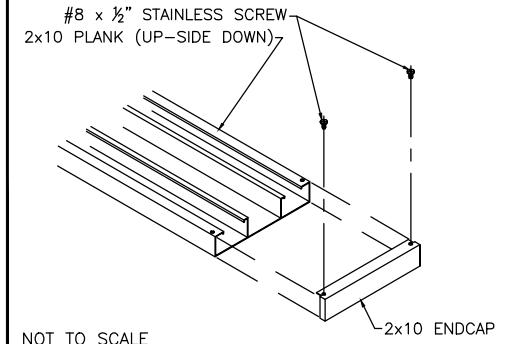
SIDE VIEW OF BENCH ASSEMBLY

TYP 2x10 PLANK ATTACHMENT



NOT TO SCALE

TYP 2x10 ENDCAP ATTACHMENT



NOT TO SCALE

This drawing and all information contained herein is the property of PARK WAREHOUSE, LLC. and is not to be reproduced without express written permission of this manufacturer. We assume no responsibility for unauthorized use of this drawing. PARK WAREHOUSE, LLC. is not responsible for local permits and occupancy requirements.

Park Warehouse, LLC

7495 W. Atlantic Ave. Suite 200-294, Delray Beach, FL 33446

| | | |
|---|----------------------------|---------------|
| SCALE: NTS | APPROVED BY: | DRAWN BY: JLB |
| DATE: 11/13/12 | | |
| TITLE: 'PI' PORTABLE BENCH W/O BACK, 6'-0" LONG | | |
| CUSTOMER: | DRAWING NUMBER: 335be625-1 | |