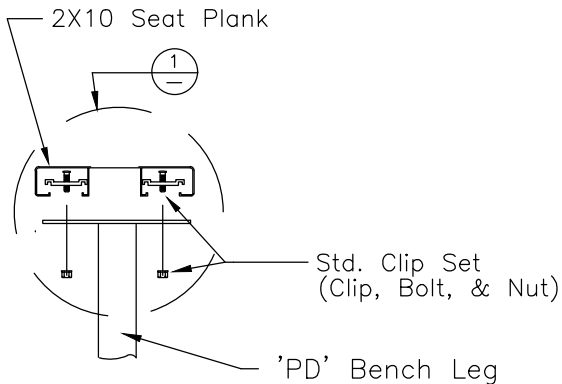
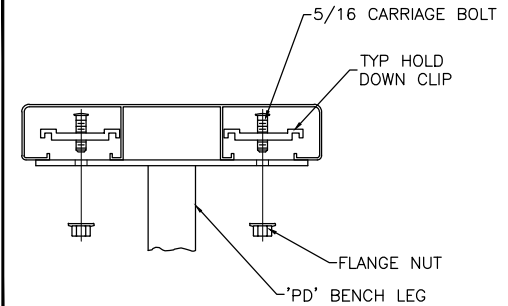


ISOMETRIC VIEW OF BENCH ASSEMBLY
 Note: Seat Plank Shown Dotted for Clarity



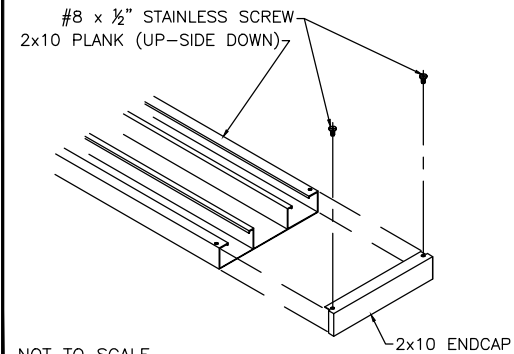
SIDE VIEW OF BENCH ASSEMBLY

⊕ TYP 2x10 PLANK ATTACHMENT



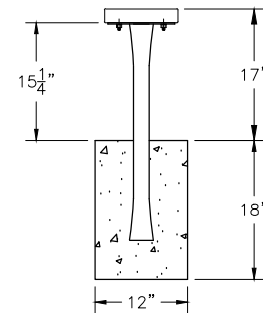
NOT TO SCALE

⊕ TYP 2x10 ENDCAP ATTACHMENT



NOT TO SCALE

⊕ PERMANENT BENCH HEIGHT DETAIL



NOT TO SCALE

This drawing and all information contained herein is the property of PARK WAREHOUSE, LLC. and is not to be reproduced without express written permission of this manufacturer. We assume no responsibility for unauthorized use of this drawing. PARK WAREHOUSE, LLC. is not responsible for local permits and occupancy requirements.

Park Warehouse, LLC

7495 W. Atlantic Ave. Suite 200-294, Delray Beach, FL 33446

SCALE: N.T.S.	APPROVED BY:	DRAWN BY: IMP
DATE: 8/16/16		
TITLE: 'PD' PERMANENT BENCH W/O BACK, 24'-0" LONG		
CUSTOMER:		DRAWING NUMBER: 335be620-6