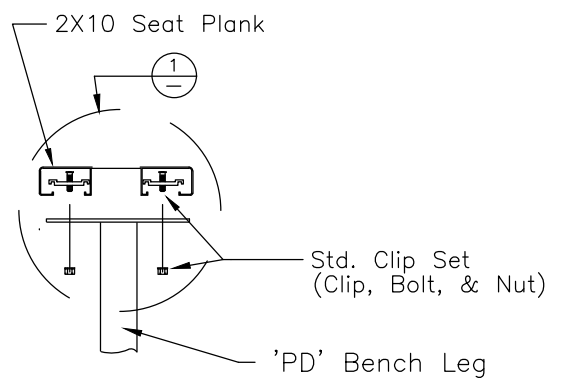


ISOMETRIC VIEW OF BENCH ASSEMBLY

Note: Seat Plank Shown Dotted for Clarity



SIDE VIEW OF BENCH ASSEMBLY

This drawing and all information contained herein is the property of PARK WAREHOUSE, LLC. and is not to be reproduced without express written permission of this manufacturer. We assume no responsibility for unauthorized use of this drawing. PARK WAREHOUSE, LLC. is not responsible for local permits and occupancy requirements.

Park Warehouse, LLC
 7495 W. Atlantic Ave. Suite 200-294, Delray Beach, FL 33446

SCALE: N.T.S.	APPROVED BY:	DRAWN BY: IMP
DATE: 8/16/16		
TITLE: 'PD' PERMANENT BENCH W/O BACK, 12'-0" LONG		
CUSTOMER:	DRAWING NUMBER: 335be620-3	

TYP 2x10 PLANK ATTACHMENT

5/16 CARRIAGE BOLT
 TYP HOLD-DOWN CLIP
 FLANGE NUT
 'PD' BENCH LEG

NOT TO SCALE

TYP 2x10 ENDCAP ATTACHMENT

#8 x 1/2" STAINLESS SCREW
 2x10 PLANK (UP-SIDE DOWN)
 2x10 ENDCAP

NOT TO SCALE

PERMANENT BENCH HEIGHT DETAIL

15 1/4"
 17"
 18"
 12"

NOT TO SCALE