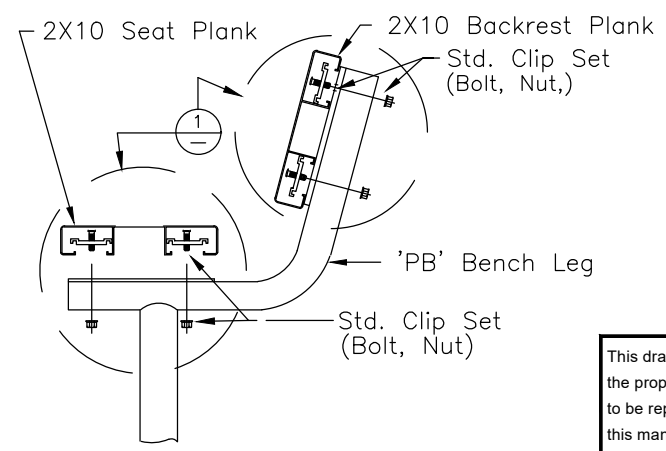
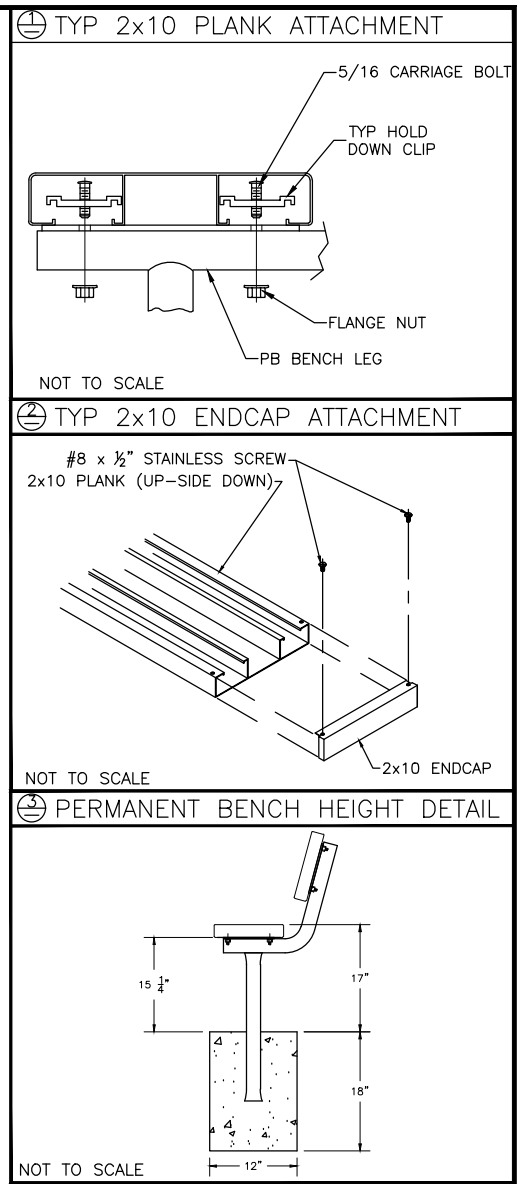


**ISOMETRIC VIEW OF BENCH ASSEMBLY**

Note: Plank Shown Dotted for Clarity



**SIDE VIEW OF BENCH ASSEMBLY**



This drawing and all information contained herein is the property of PARK WAREHOUSE, LLC. and is not to be reproduced without express written permission of this manufacturer. We assume no responsibility for unauthorized use of this drawing. PARK WAREHOUSE, LLC. is not responsible for local permits and occupancy requirements.

<b>Park Warehouse, LLC</b>		
7495 W. Atlantic Ave. Suite 200-294, Delray Beach, FL 33446		
SCALE: N.T.S.	APPROVED BY:	DRAWN BY: IMP
DATE: 8/12/16		
TITLE: 'PB' PERMANENT BENCH W/BACK, 8'-0" LONG		
CUSTOMER:		DRAWING NUMBER: 335be615-2