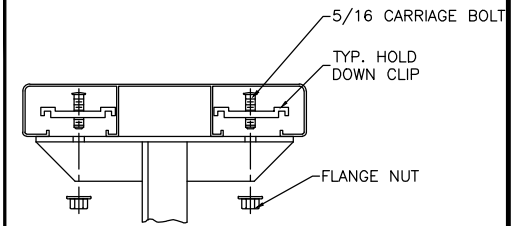
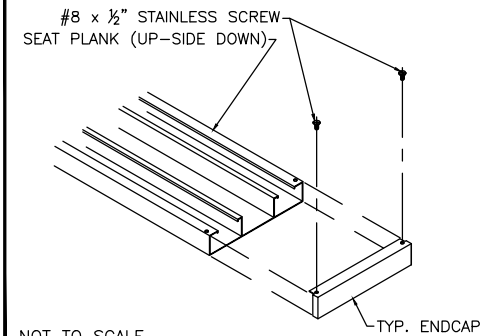


1 TYP 2x10 PLANK ATTACHMENT



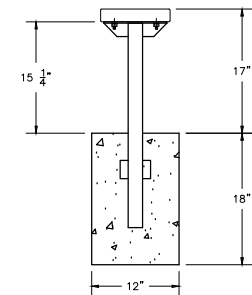
NOT TO SCALE

2 TYP 2x10 ENDCAP ATTACHMENT



NOT TO SCALE

3 PERMANENT BENCH HEIGHT DETAIL



NOT TO SCALE

**IMPORTANT NOTE TO INSTALLER:**

Aluminum surfaces to be embedded in concrete ordinarily need not be painted, unless corrosive components are added to the concrete or unless the assembly is subjected for extended periods to extremely corrosive conditions. In such cases, aluminum surfaces shall be given one coat of suitable quality paint, such as zinc molybdate primer conforming to Federal Specification TT-P-645B or equivalent, or a heavy coating of alkali resistant bituminous paint, or shall be wrapped with a suitable plastic tape applied in such a manner as to provide adequate protection at the overlaps.

This drawing and all information contained herein is the property of PARK WAREHOUSE, LLC. and is not to be reproduced without express written permission of this manufacturer. We assume no responsibility for unauthorized use of this drawing. PARK WAREHOUSE, LLC. is not responsible for local permits and occupancy requirements.

**Park Warehouse, LLC**

7495 W. Atlantic Ave. Suite 200-294, Delray Beach, FL 33446

|  |              |                            |
|--|--------------|----------------------------|
| SCALE: N.T.S.                                    | APPROVED BY: | DRAWN BY: JML              |
| DATE: 08/11/2016                                 |              |                            |
| TITLE: 'DD' PERMANENT BENCH W/O BACK, 8'-0" LONG |              |                            |
| CUSTOMER:  |              | DRAWING NUMBER: 335be605-2 |