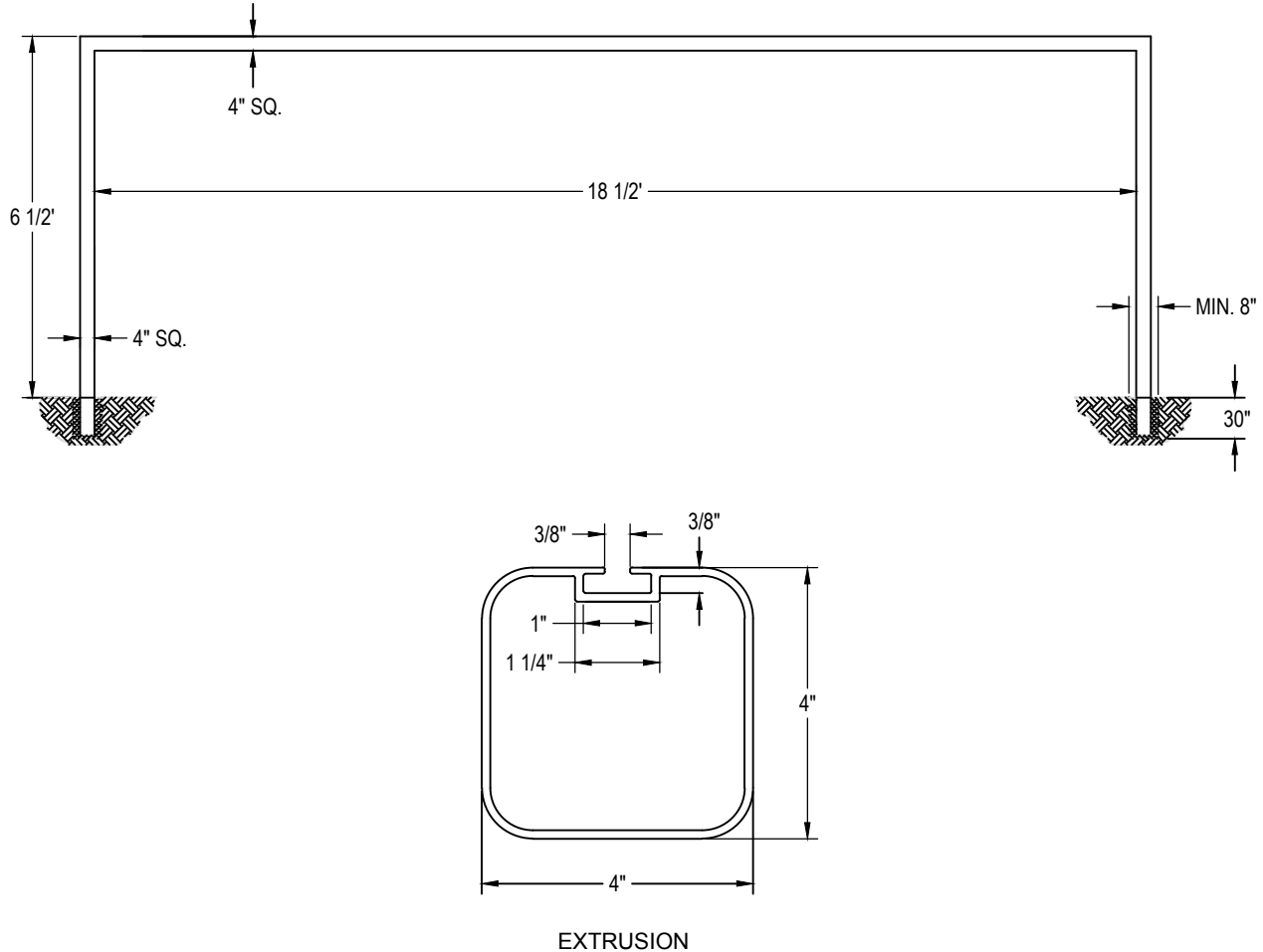




ShootOut Series 4" Square Soccer Goal Package

SKU: 685se495-3 Specs



Face of goal shall be constructed of 4" square aluminum extrusions with a minimum 3/4" corner radii for safety and a minimum 2/25" ga. wall thickness. Extrusions shall have a net track extruded in the rear face to allow net attachment using specially designed clips included with each system. Goal shall have an 18 1/2' wide and 6 1/2' high opening. Design shall allow for 24" of upright to be permanently buried in a 30" deep footing or installed in optional SC44S ground sleeves. All components shall be finished with a textured white polyester powder coated finish. Goals shall carry a 5-year limited warranty. Nets and optional European backstays shall be ordered separately. Installation to be completed in accordance to manufacturer's instructions. Do not scale drawings. System shall weigh approximately 235#/pair.