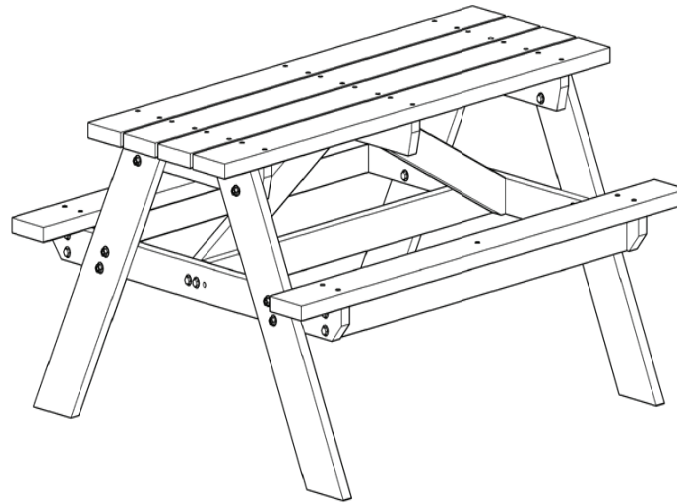
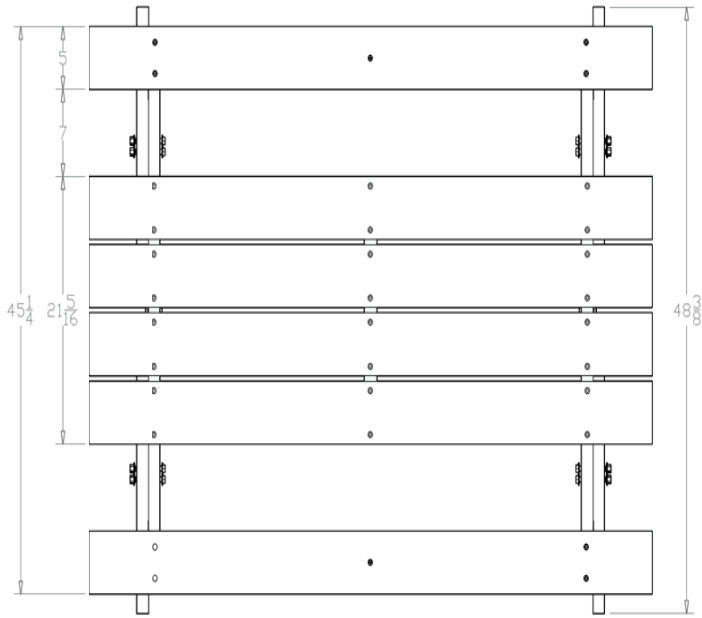
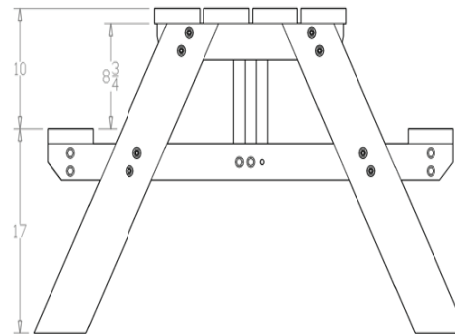
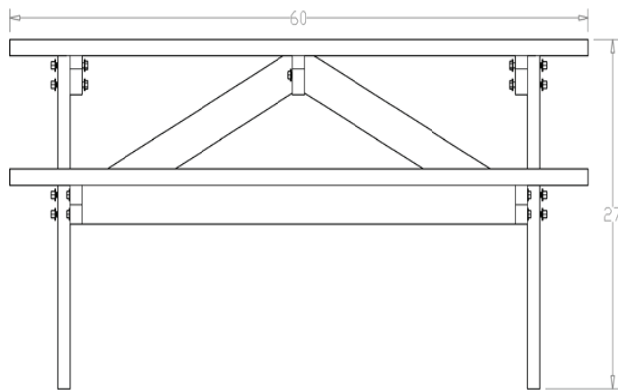


# 5ft - Economizer Children's Picnic Table



**Weight Capacity**  
400 lbs  
**Product Weight**  
115 lbs



## Seat Color Options

- Heavy duty/weather resistant/maintenance free!
- No need to stain or paint
- Resists fading, peeling and graffiti as the color is molded all the way through
- Can be surface mounted with brackets (sold separately)
- Stainless steel fasteners do not corrode nor rust



## Frame Color Options

