

Bicycle Racks

6 Bike Rack
Brown & Boards



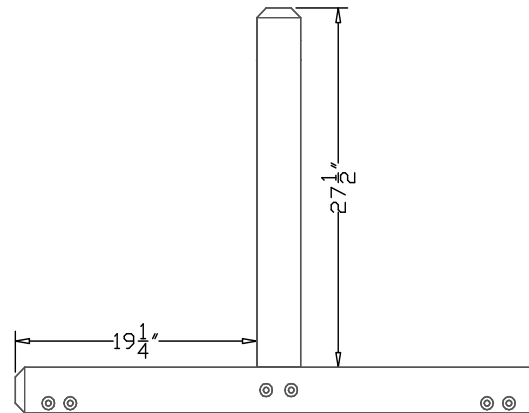
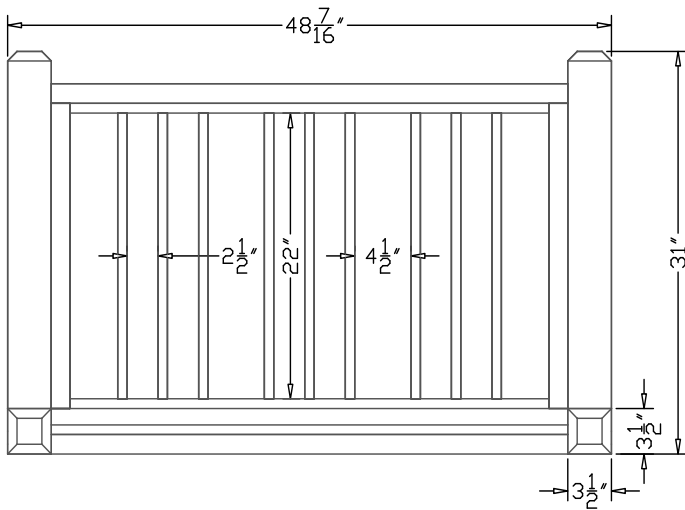
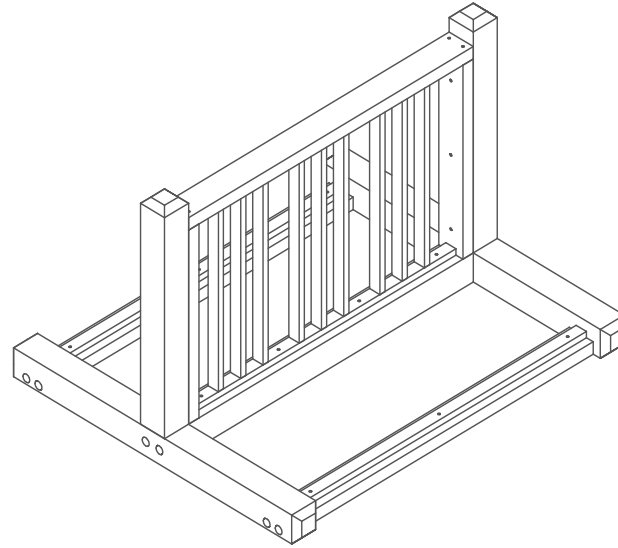
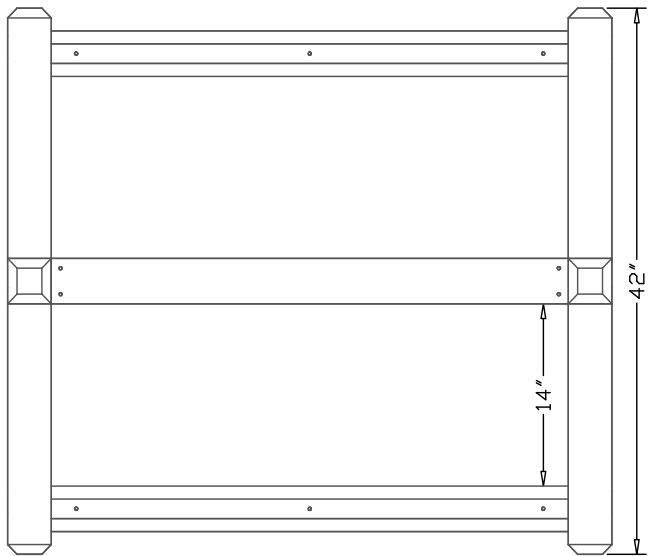
Bicycle Racks are constructed using 4"x 4" and 2" 4" recycled plastic lumber for the frames with 1"x 2" spindles and trim. The are available with 6 or 10 bike slots and come in two toned color combinations or a solid single color. Can be permanently mounted with anchor kits.

10 Bike Rack
Black & Cedar



*See back of page for
details and measurements*

6 Slot Bike Rack



Seat Color Options

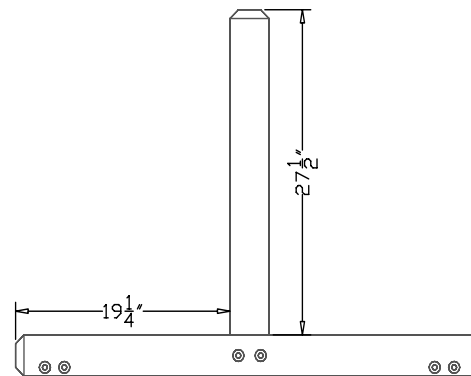
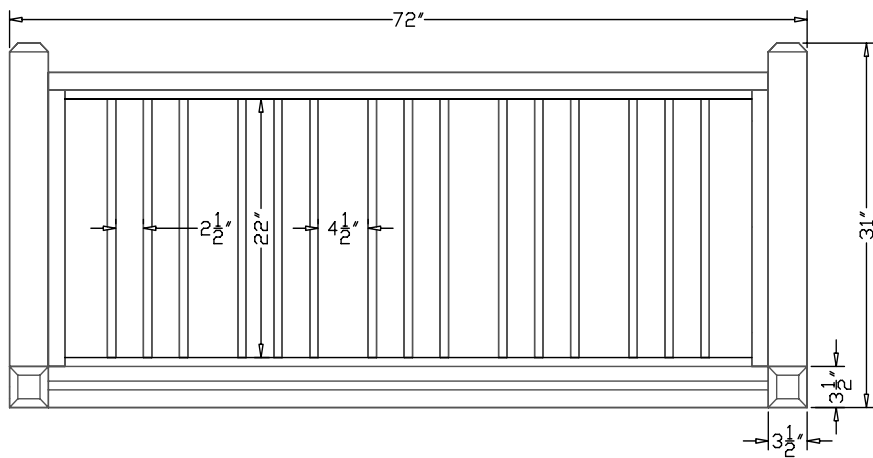
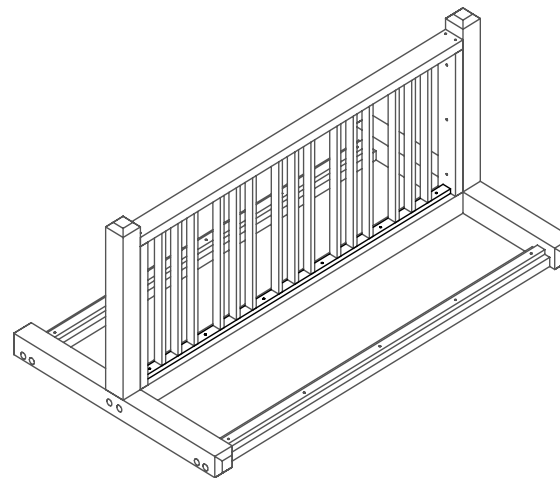
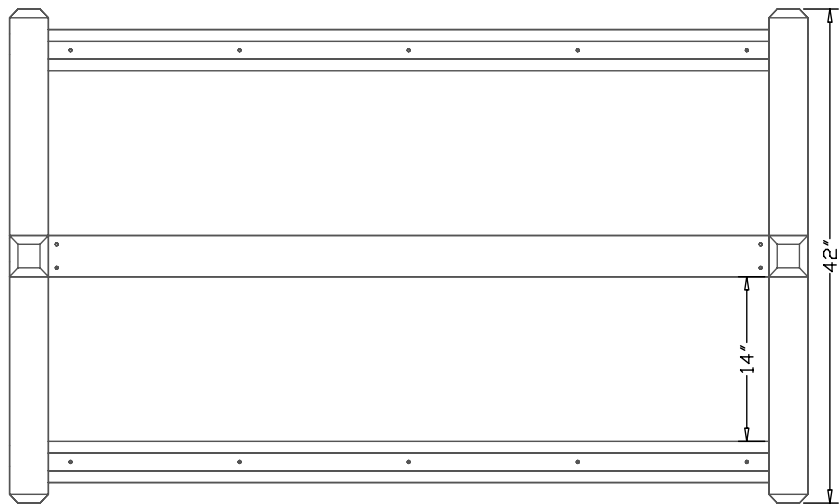
- Heavy duty/weather resistant/maintenance free!
- No need to stain or paint
- Resists fading, peeling and graffiti as the color is molded all the way through
- Can be surface mounted with brackets (sold separately)
- Stainless steel fasteners do not corrode nor rust



Frame Color Options



10 Slot Bike Rack



Seat Color Options

- Heavy duty/weather resistant/maintenance free!
- No need to stain or paint
- Resists fading, peeling and graffiti as the color is molded all the way through
- Can be surface mounted with brackets (sold separately)
- Stainless steel fasteners do not corrode nor rust



Frame Color Options

