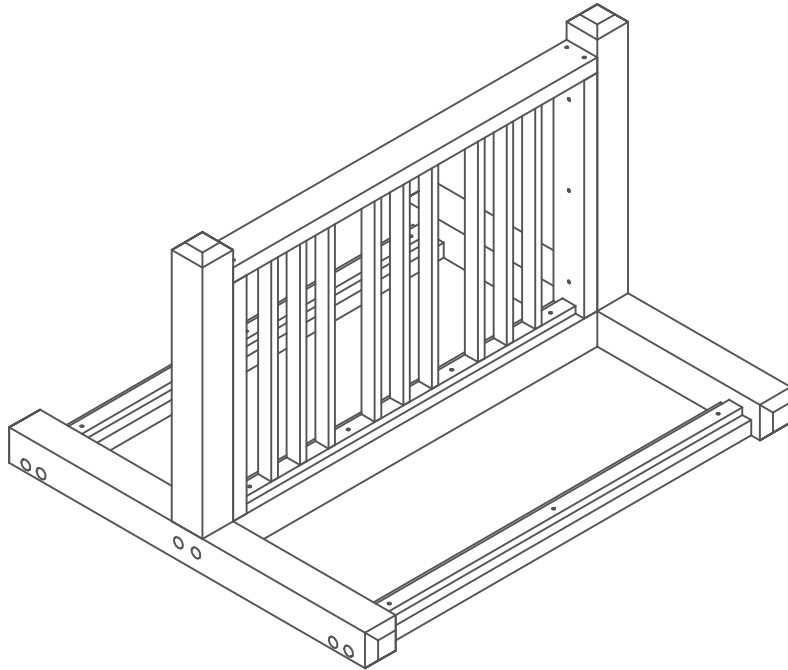
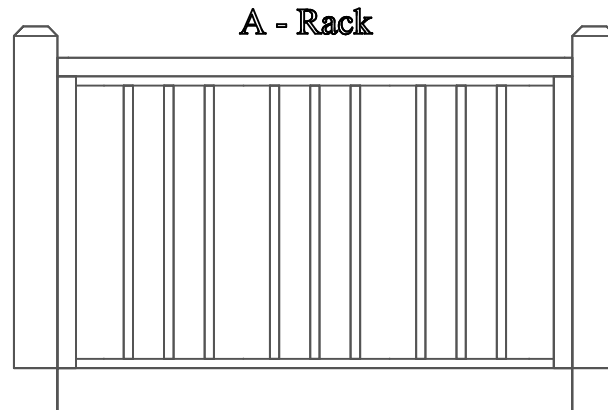




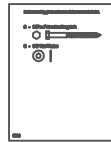
6 Slot - Bike Rack



Before assembly, please make sure all components are included.



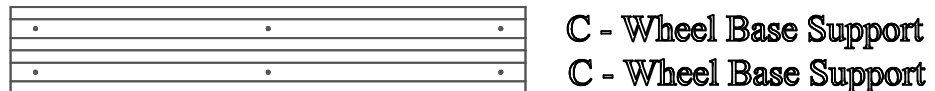
(1) - One Rack
BRSA-BR6-A-01



FP - Fastener Pack



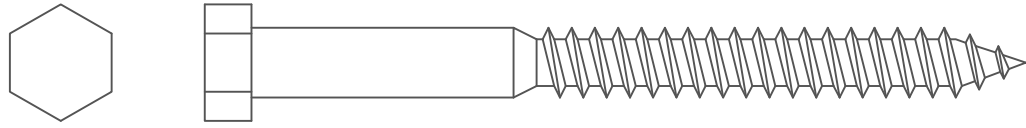
(2) - Two Base Post
BRP-BR-B-01



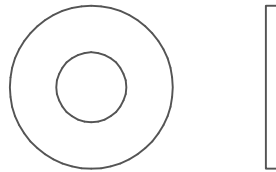
(2) - Two Wheel Base Support
BRSA-BR6-C-01

Before assembly, please make sure all fasteners are included.

16 - 3/8" x 4" Hex Head Lag Bolt

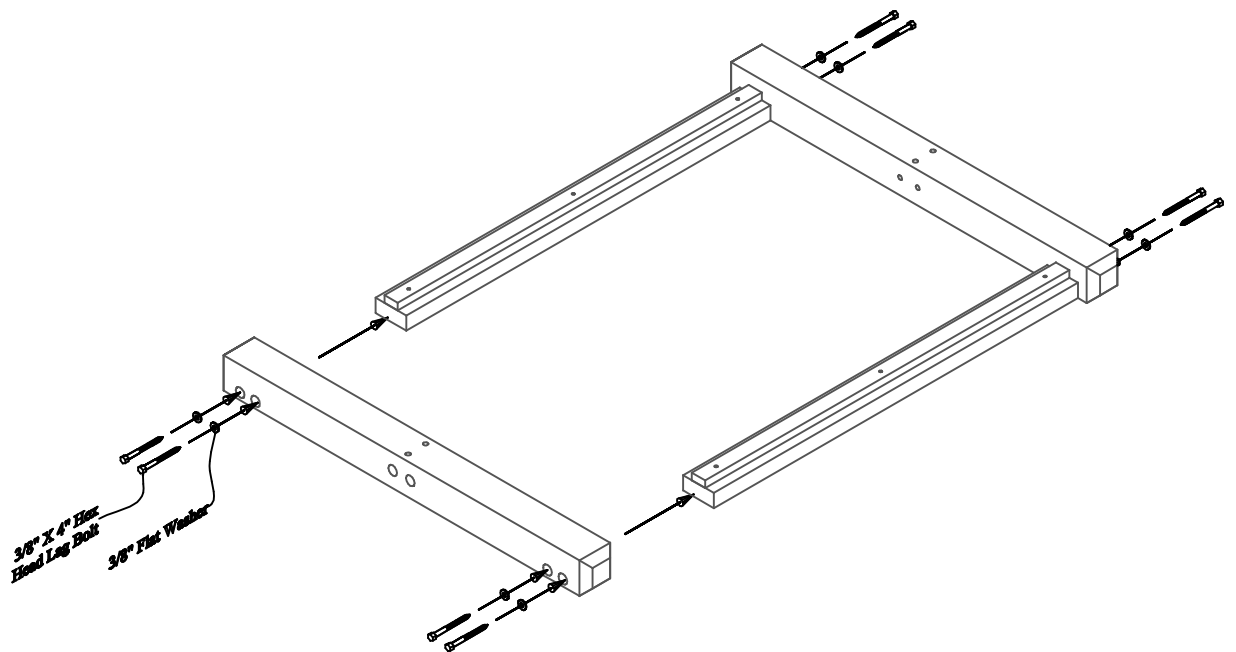


16 - 3/8" Flat Washer



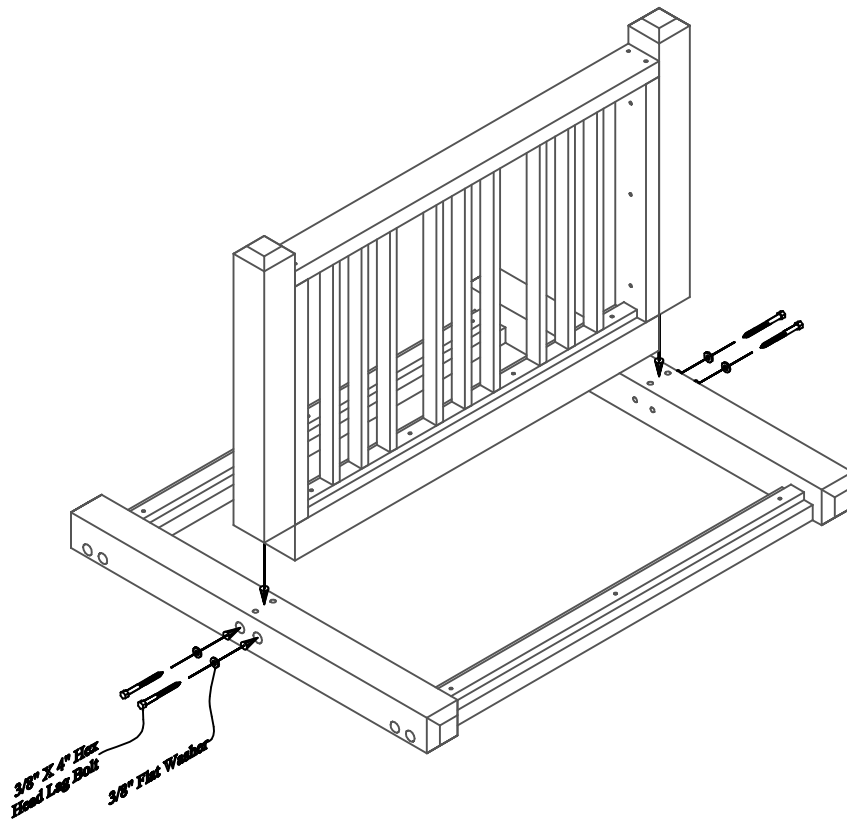
Also needed for this assembly will be the following materials:

1 - 9/16" Socket Wrench



Step #1:

Fasten (2) Two Base Posts to (2) Two Wheel Base Supports as shown above being sure to line up the pre-drilled holes to the pilot holes. Use (1) One 3/8" x 4" Hex Head Lag Bolt and (1) One 3/8" Flat Washer per hole to secure.

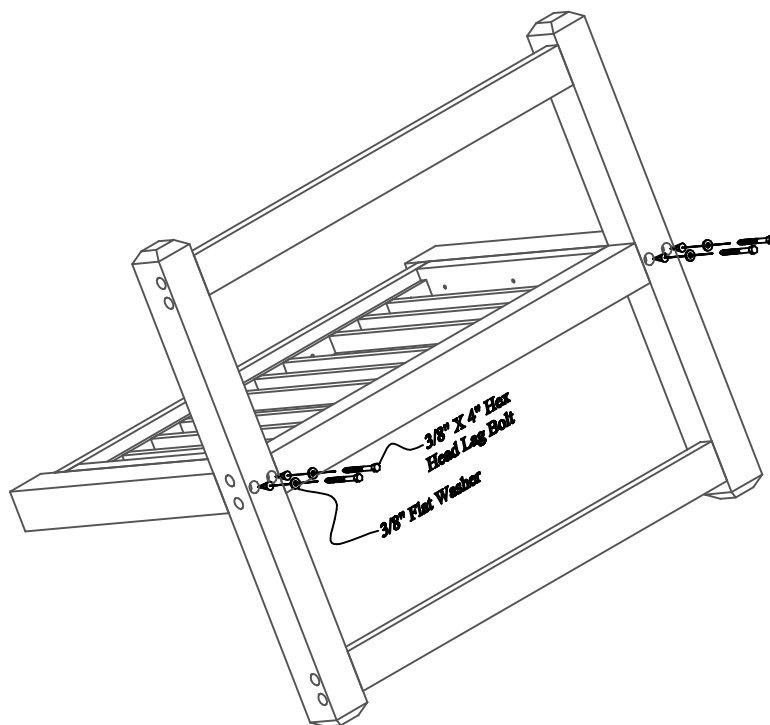


Step #2:

Fasten the Rack to the Base Posts being sure to line up the pre-drilled holes to the pilot holes on the side. Use (1) One 3/8" x 4" Hex Head Lag Bolt and (1) One 3/8" Flat Washer per hole to secure.

Step #3:

Flip the bike rack on to its side as shown in diagram. Please use caution as the bike rack weighs approximately 105 pounds.



Step #4:

Fasten the bottom of the Base Posts to the Rack as shown in the diagram above. Use (1) One 3/8" x 4" Hex Head Lag Bolt and (1) One 3/8" Flat Washer per hole to secure.