

Traditional Bench



4 Foot

Black Bench Frame
Sand Planks

The Traditional Bench is one of our oldest and most popular bench styles. It is sturdily built using 2 x 6's made out of 100% post-consumer recycled plastic. It offers the choice of 3 colors of bench-end frames with 7 colors of planks for a wide variety of color combinations.

6 Foot - Green
Bench Frame Cedar
Planks



8 Foot - Brown
Bench Frame
Weathered Wood
Planks

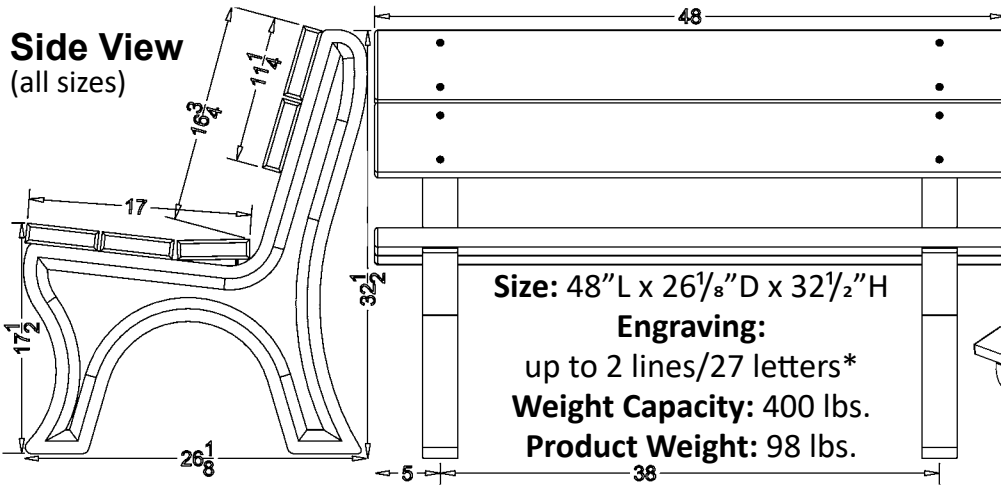
The Traditional Bench is one of our most popular benches for engraving

*See back of page for
details and measurements*

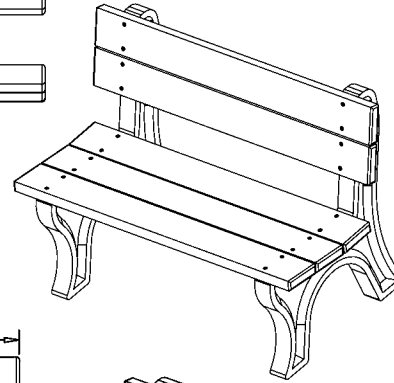


Traditional Bench - 4', 6' & 8'

Side View
(all sizes)



4 Ft.

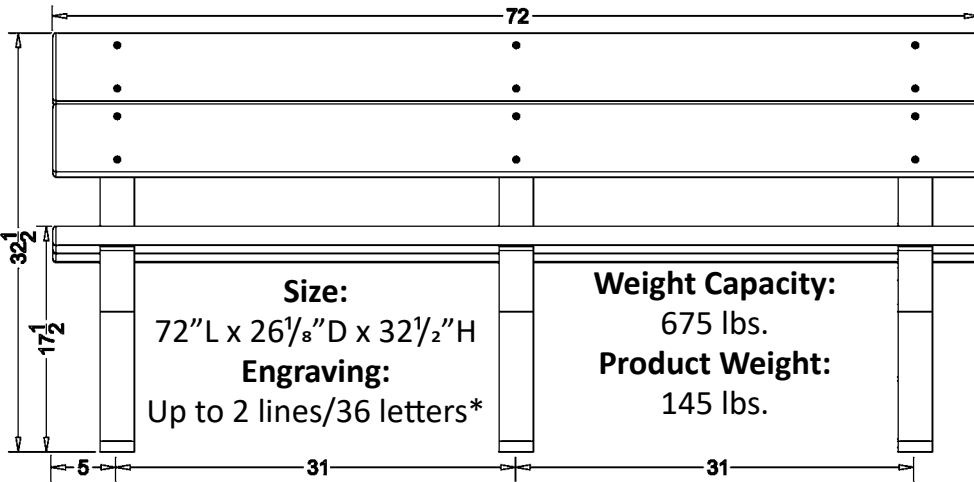
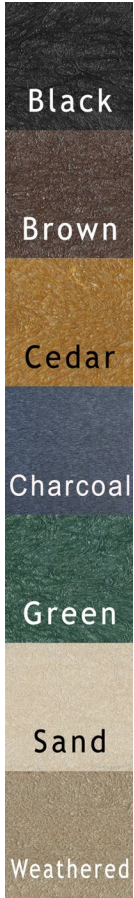


Available
Frame
Colors:

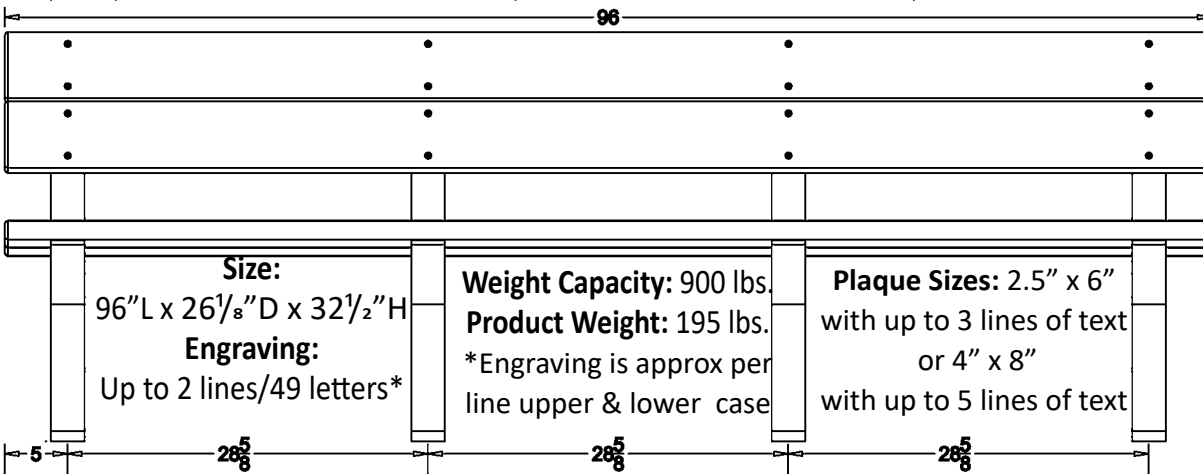
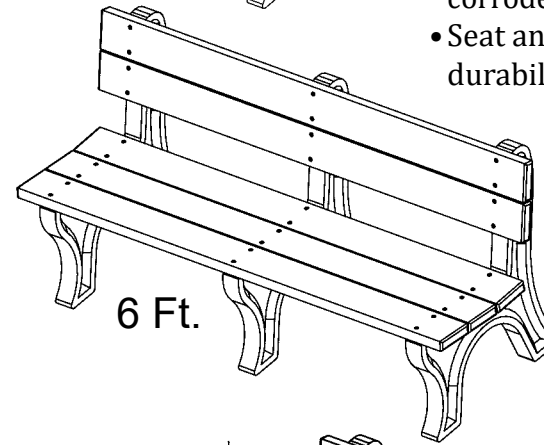


Available
Plank
Colors:

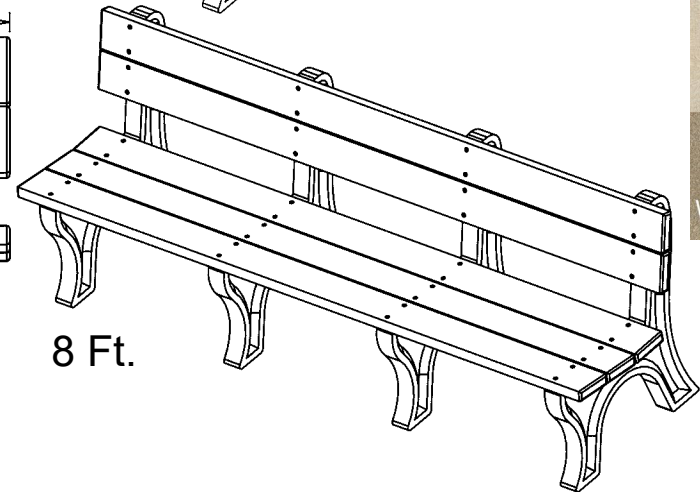
- Heavy duty/weather resistant/maintenance free!
- No need to stain or paint
- Resists fading, peeling and graffiti as the color is molded all the way through
- Can be surface mounted with brackets (sold separately)
- Stainless steel fasteners do not corrode nor rust
- Seat and back use 2 x 6's for durability and comfort.



6 Ft.



8 Ft.



Traditional Bench w/Arms



4 Foot -
Brown Bench
Frame Weathered
Wood
Planks

The Traditional Bench is one of our oldest and most popular bench styles and is built for strength and functionality using 2" x 6" planks made out of 100% post-consumer recycled plastic. It offers the choice of 3 colors for bench-end frames with 7 colors for backs & seats.

6 Foot Black
Bench Frame
Cedar Planks



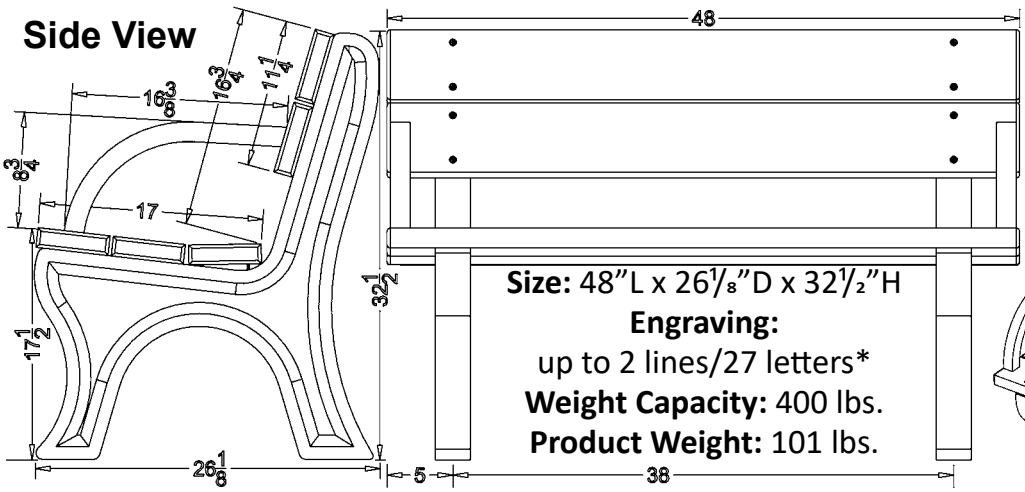
8 Foot
Green Frames
Sand Planks

The Traditional Bench is one of our most popular benches for engraving



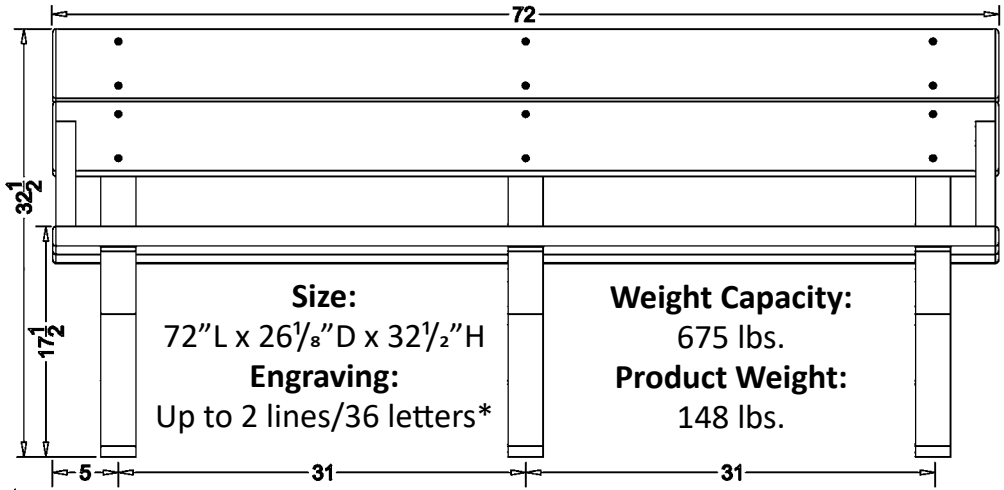
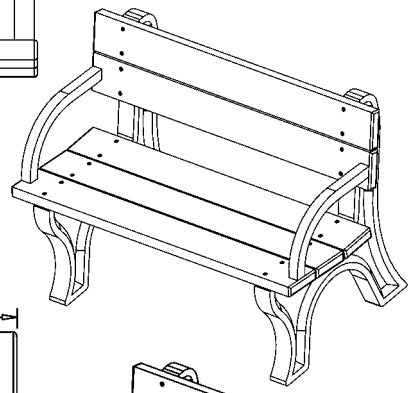
*See back of page for
details and measurements*

Traditional Bench w/Arms - 4', 6' & 8'



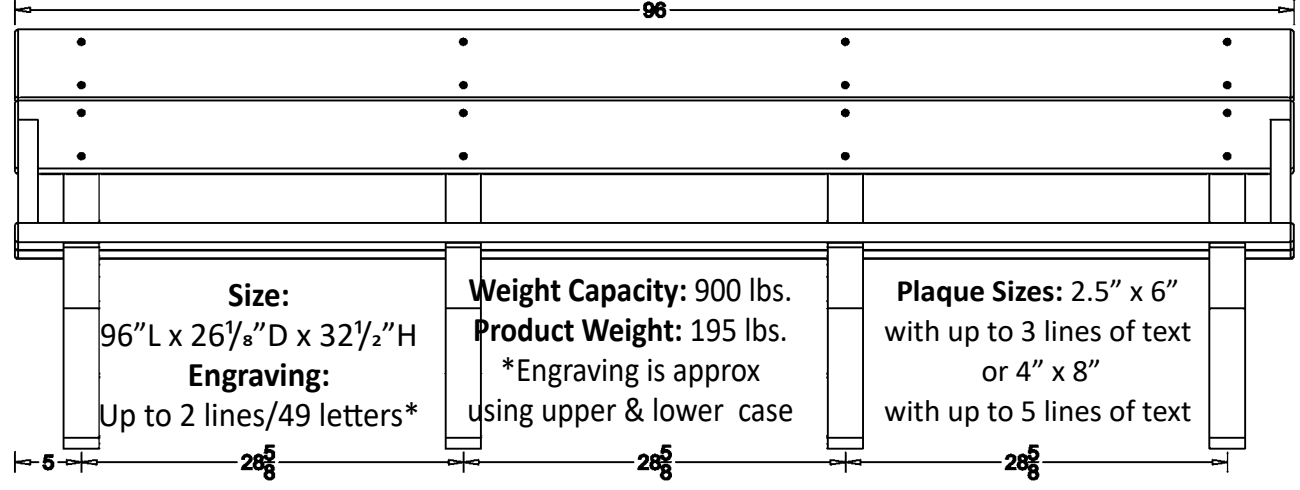
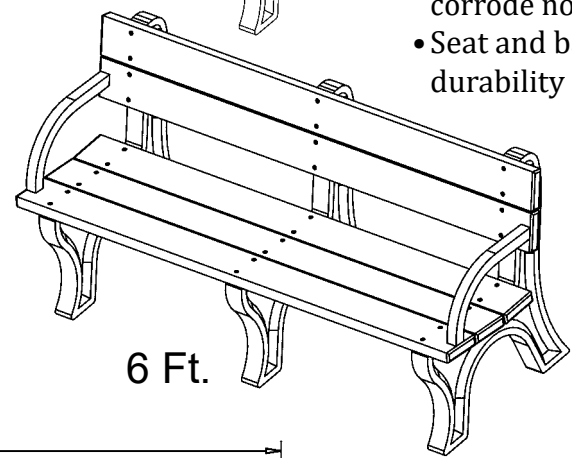
Size: 48" L x 26 1/8" D x 32 1/2" H
Engraving:
 up to 2 lines/27 letters*
Weight Capacity: 400 lbs.
Product Weight: 101 lbs.

4 Ft.



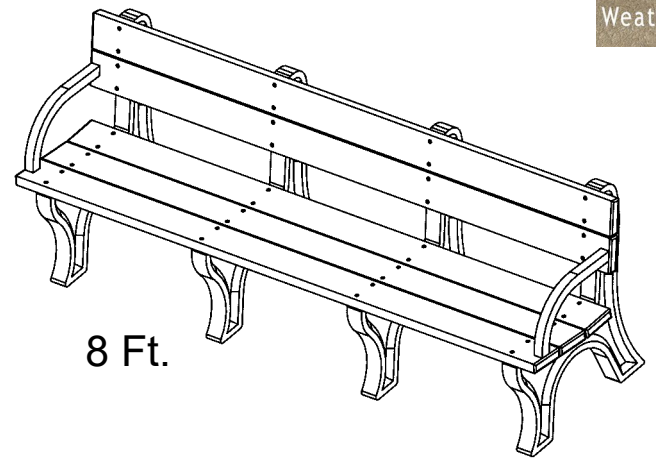
Size:
 72" L x 26 1/8" D x 32 1/2" H
Engraving:
 Up to 2 lines/36 letters*
Weight Capacity:
 675 lbs.
Product Weight:
 148 lbs.

6 Ft.



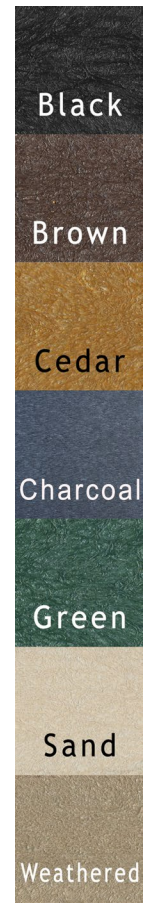
Size:
 96" L x 26 1/8" D x 32 1/2" H
Engraving:
 Up to 2 lines/49 letters*
Weight Capacity: 900 lbs.
Product Weight: 195 lbs.
 *Engraving is approx using upper & lower case
Plaque Sizes: 2.5" x 6" with up to 3 lines of text or 4" x 8" with up to 5 lines of text

8 Ft.



Available Frame Colors: 

Available Plank Colors:



- Heavy duty/weather resistant/maintenance free!
- No need to stain or paint
- Resists fading, peeling and graffiti as the color is molded all the way through
- Can be surface mounted with brackets (sold separately)
- Stainless steel fasteners do not corrode nor rust
- Seat and back use 2 x 6's for durability and comfort.