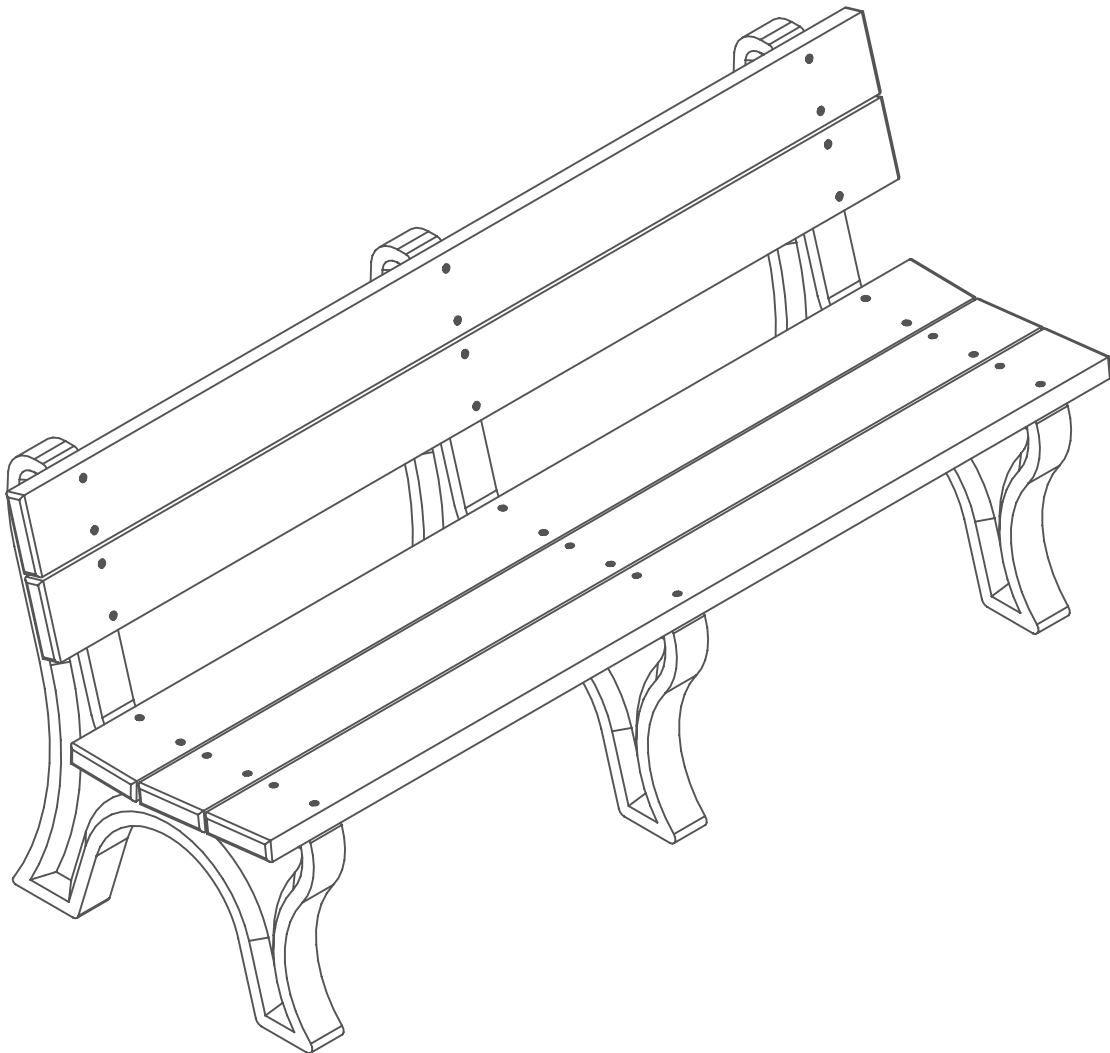




Traditional Bench - With Back - 6FT

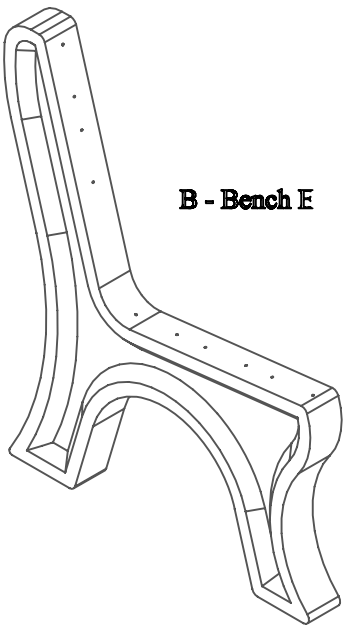


assembly, please make sure all components are included.

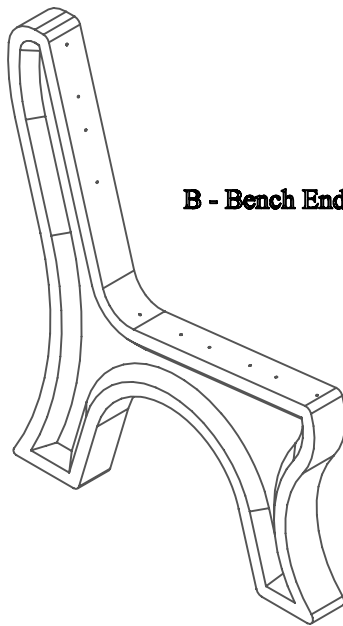


(1) - One Fastener Pack
FP-TB6B-CU-02

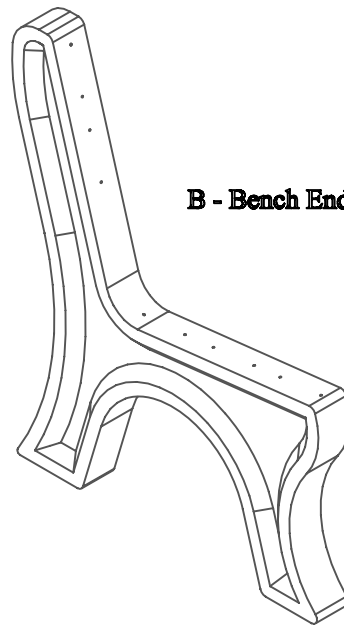
FP - Fastener Pack



B - Bench E



B - Bench End



B - Bench End

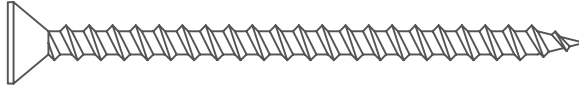
(3) - Three Bench Ends
PS-SBBE-T-02

•	A - Bench Board	•	•
•		•	•
•	A - Bench Board	•	•
•		•	•
•	A - Bench Board	•	•
•		•	•
•	A - Bench Board	•	•
•		•	•
•	A - Bench Board	•	•
•		•	•

(5) - Five Bench Boards
BP-TB6B-A-02

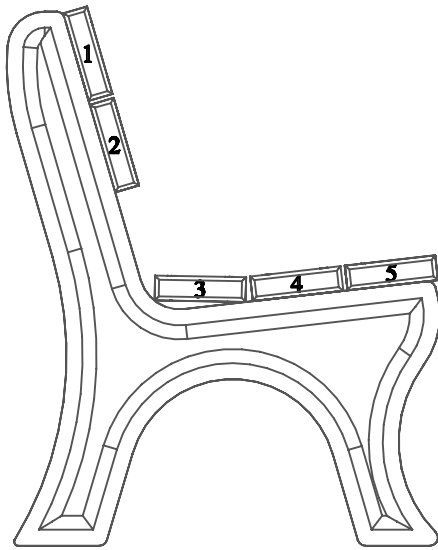
c assembly, please make sure all fasteners are included.

30 - #12 x 3" Flat Head Phillips Screw

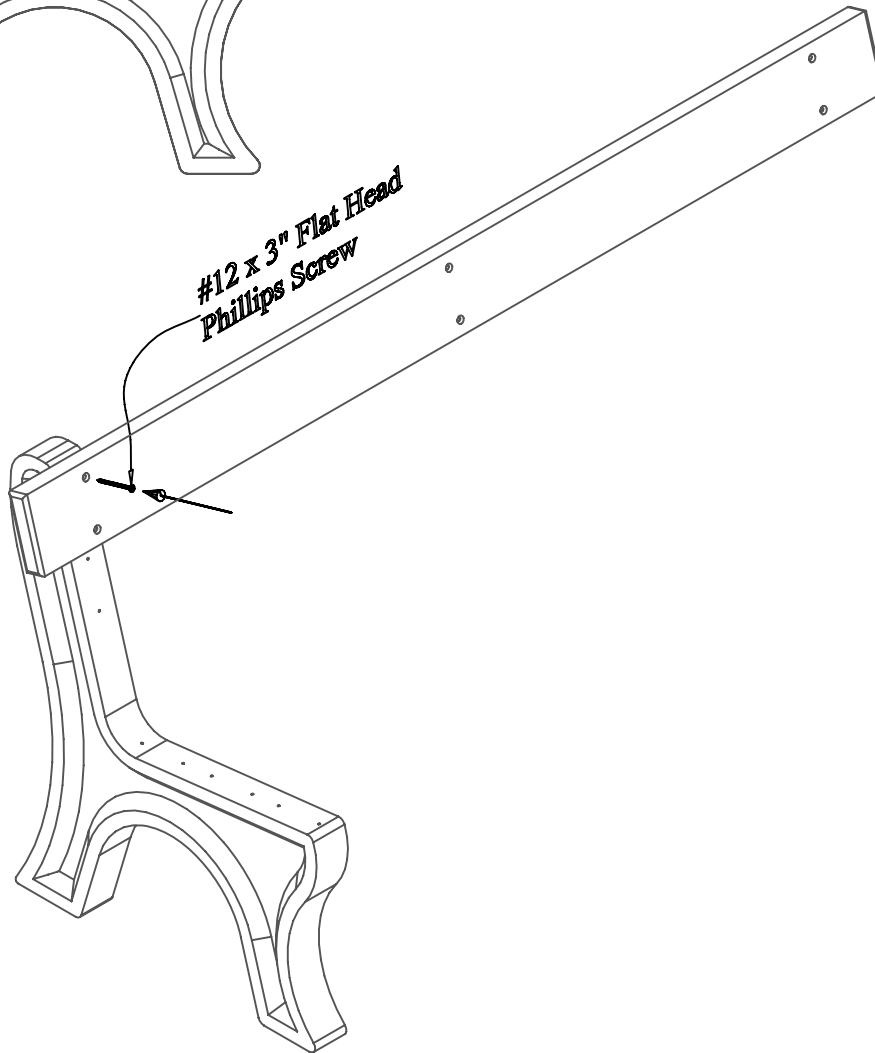


Also needed for this assembly will be the following materials:

1 - #3 Phillips Drive Bit



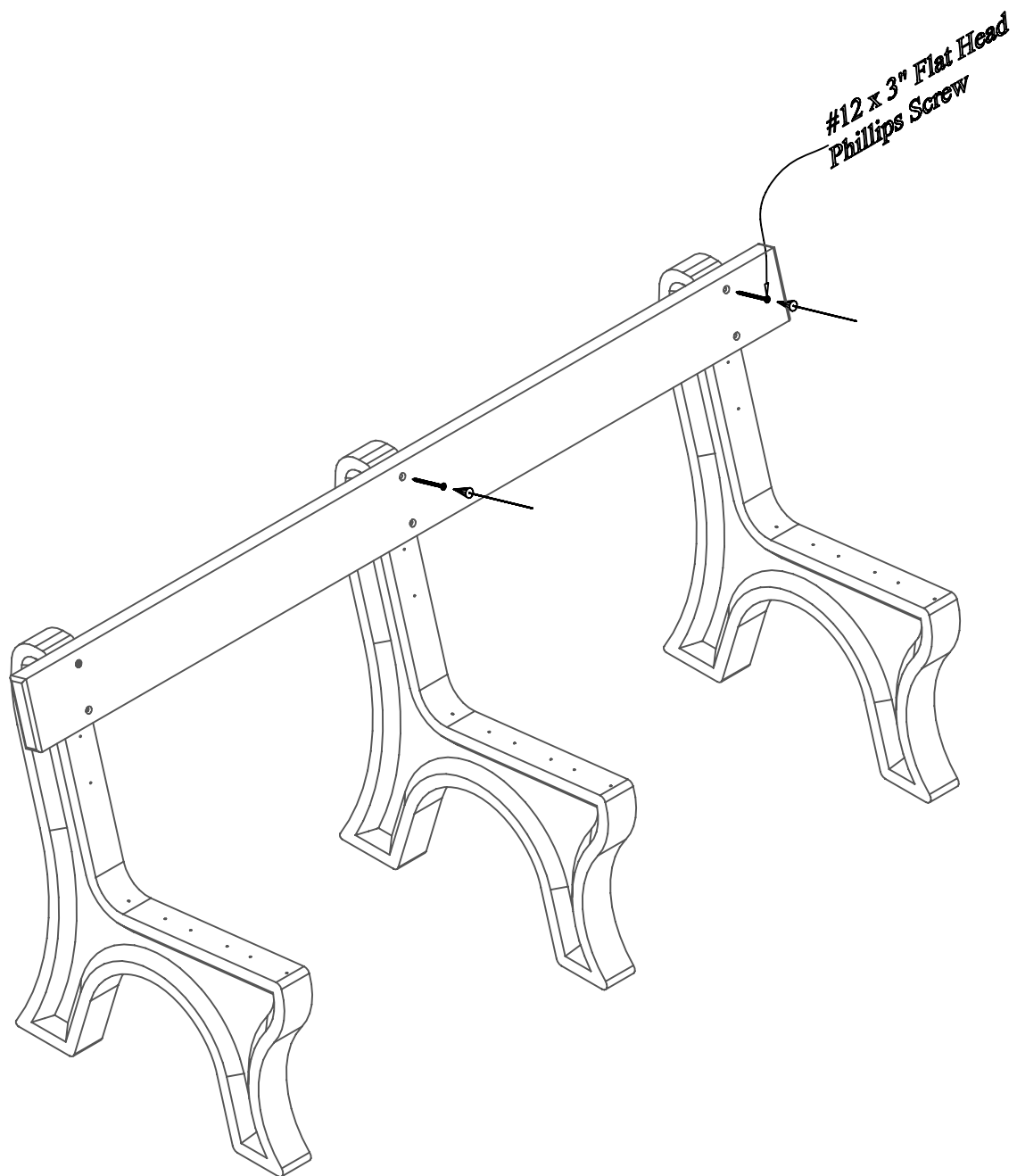
In order to make the assembly of the Traditional Bench easier while going through the assembly process the board positions are numbered and will be referenced in later steps.



Step #1:

Stand (1) One bench end upright and place (1) One bench board on position 1 being sure to align the pre-drilled holes to the pilot holes in the bench end. After the holes are properly aligned, fasten with (1) One #12 x 3" Flat Head Phillips Screw in the top pre-drilled hole.

Note: Do not tighten screw completely. This will be done in a later step.

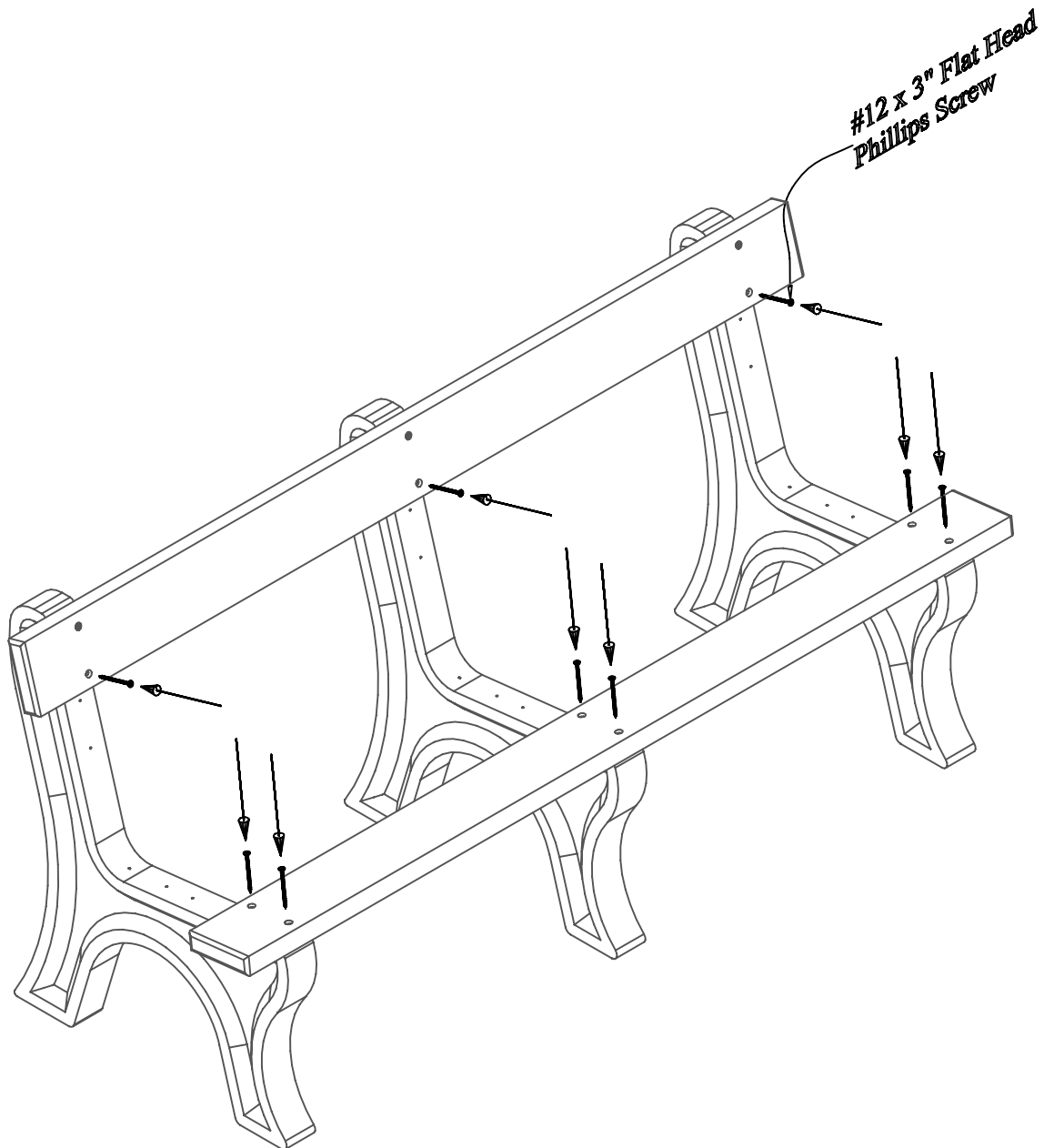


Stand the other (2) Two bench ends upright, one at a time, and place bench board already attached to the first bench end, on position 1 being sure to align the pre-drilled holes to the pilot holes in the bench end. After the holes are properly aligned, fasten with (1) One #12 x 3" Flat Head Phillips Screw in the top pre-drilled hole.

Note: Do not tighten screws completely. This will be done in a later step.

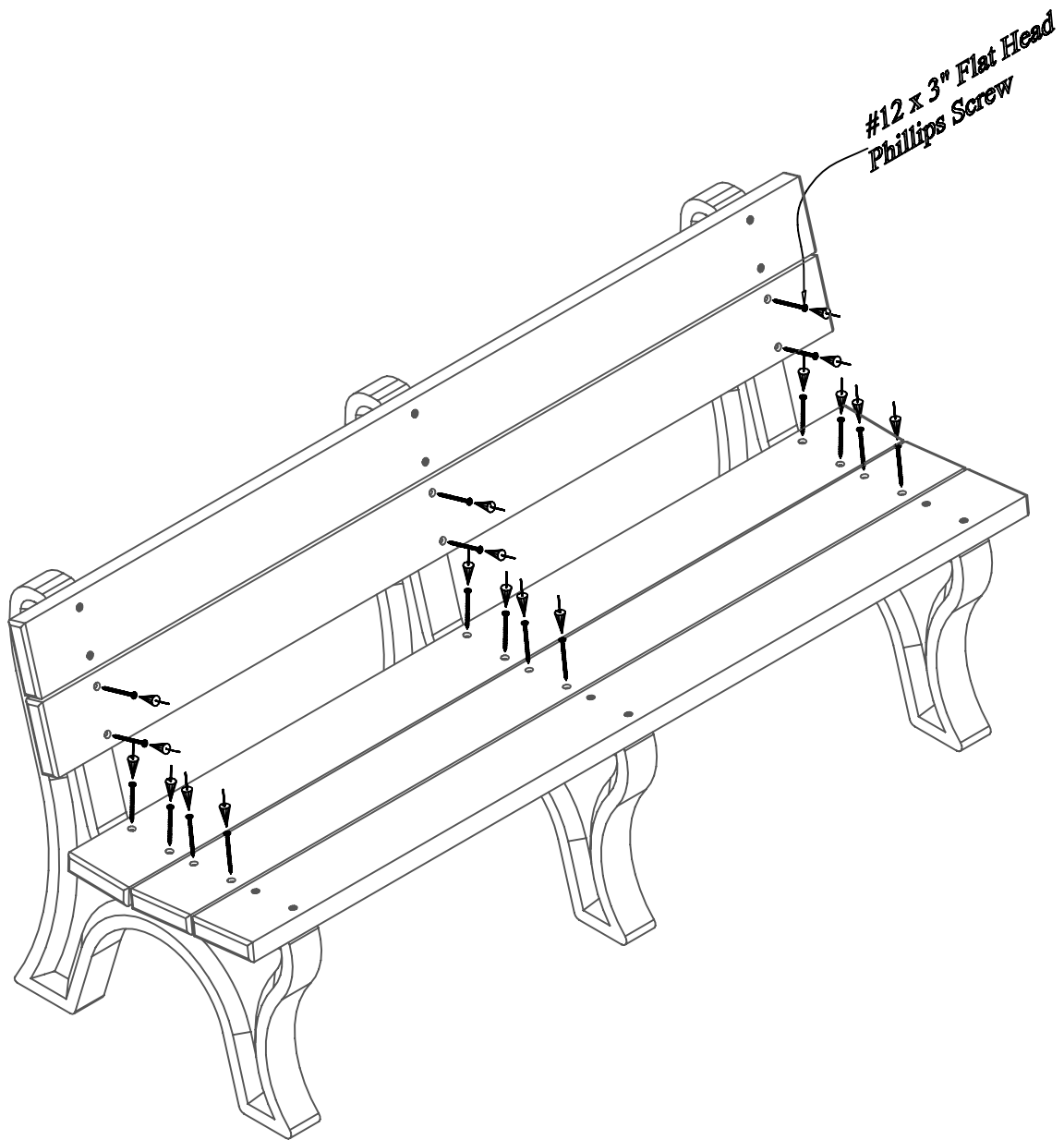
Align bottom pre-drilled holes to the pilot holes in the bench end. After holes are properly aligned, fasten with (1) One #12 x 3" Flat Head Phillips Screw per hole.

Note: Be sure to tighten screws completely after this step.



Step #4:

Place a second bench board on position 5. Repeat Steps 1 - 3 to attach. Use (1) One #12 x 3" Flat Head Phillips Screw per hole to fasten.



Repeat Steps 1 - 3 to attach bench boards on positions 2, 3 & 4. Use One #12 x 3" Flat Head Phillips Screw per hole to fasten.