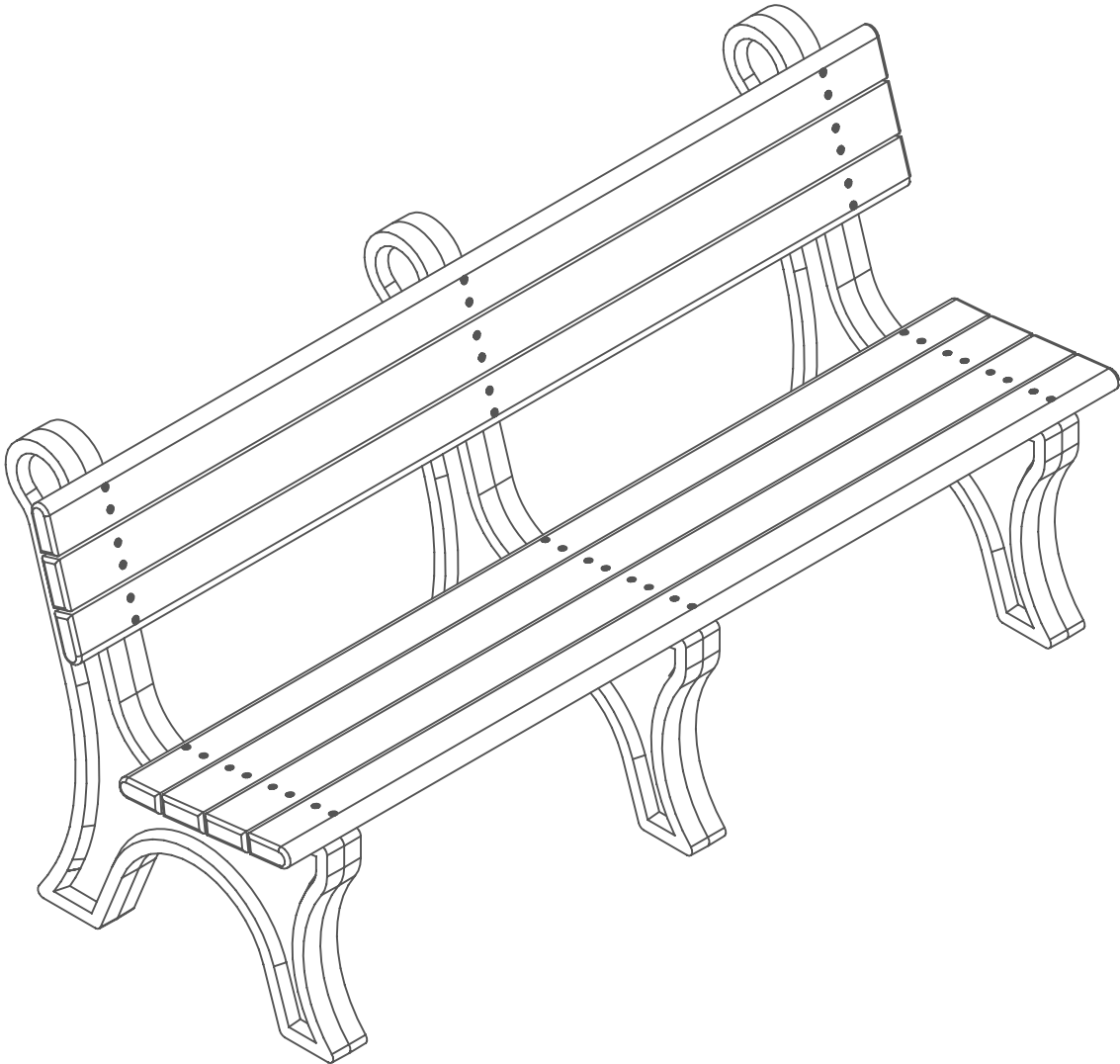




Park Classic Bench - With Back - 6FT

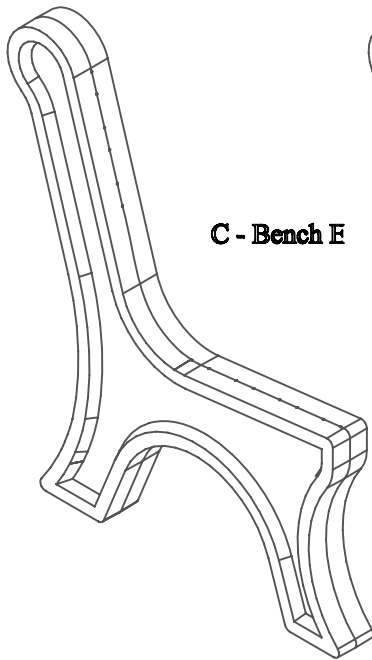


assembly, please make sure all components are included.

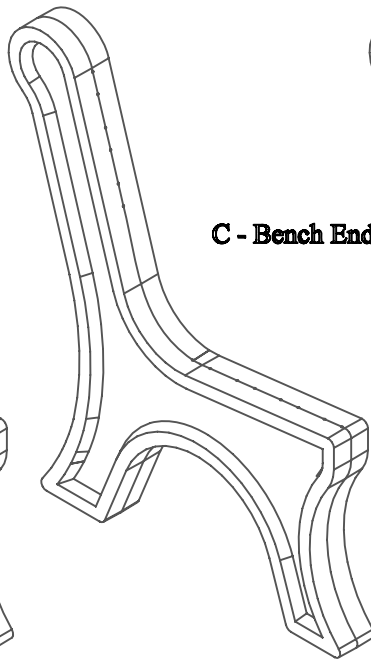


( 1 ) - One Fastener Pack  
FP-PC6B-CU-01

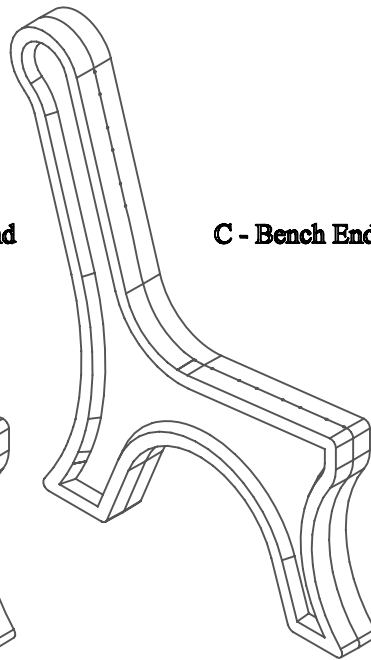
**FP - Fastener Pack**



**C - Bench E**



**C - Bench End**



**C - Bench End**

( 3 ) - Three Bench Ends  
PS-BTBE-A-01

•	A - Bench Board	•	•
•	A - Bench Board	•	•
•	A - Bench Board	•	•

( 3 ) - Three Bench Boards  
BP-DB6B-A-02

•	B - Bull Nose Bench Board	•	•
•	B - Bull Nose Bench Board	•	•
•	B - Bull Nose Bench Board	•	•
•	B - Bull Nose Bench Board	•	•

( 4 ) - Four Bull Nose  
Bench Boards  
BP-PC6B-A-01

c assembly, please make sure all fasteners are included.

42 - #12 x 3" Flat Head Phillips Screw



Also needed for this assembly will be the following materials:

1 - #3 Phillips Drive Bit

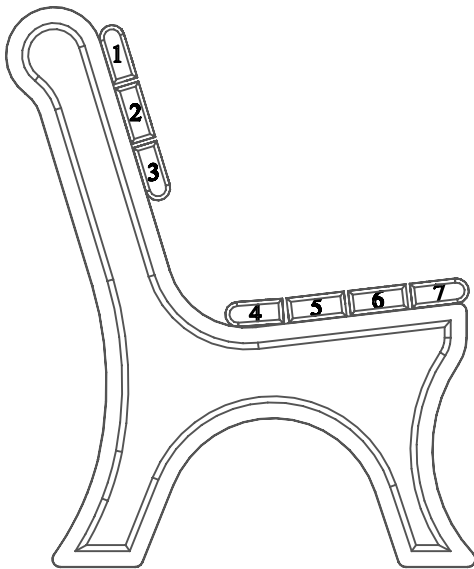
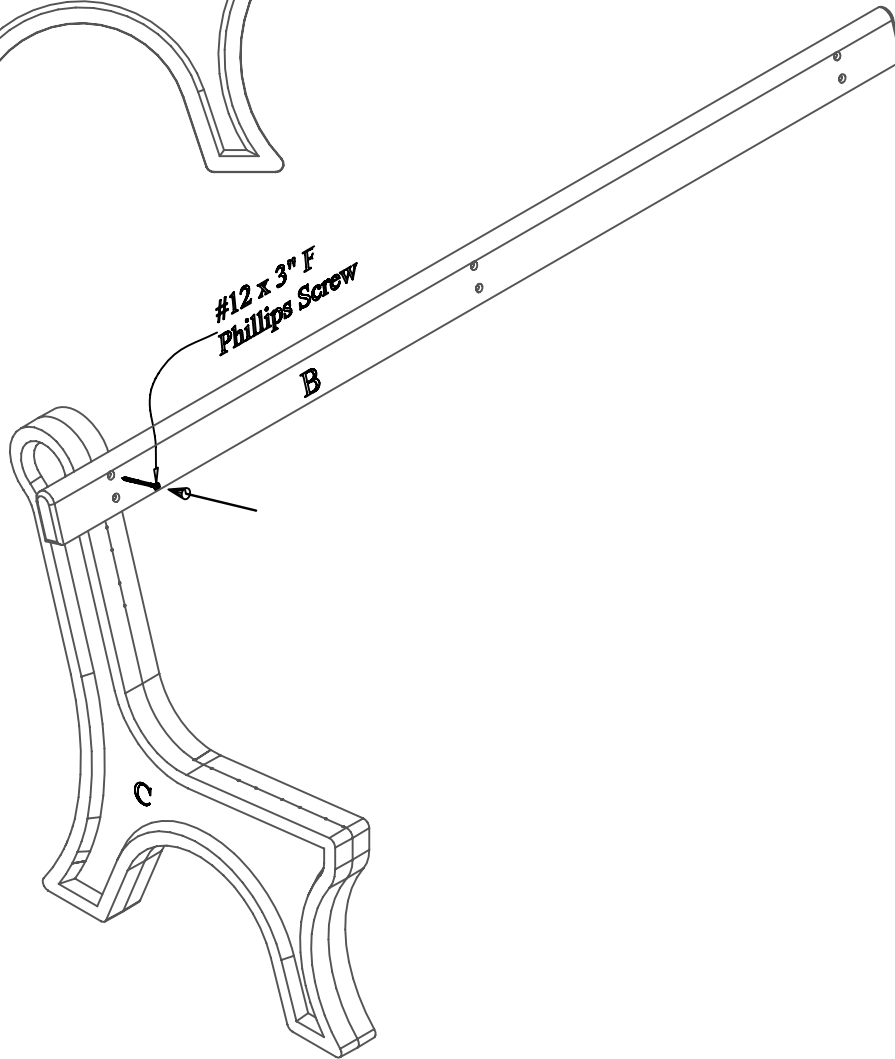


Fig #1:

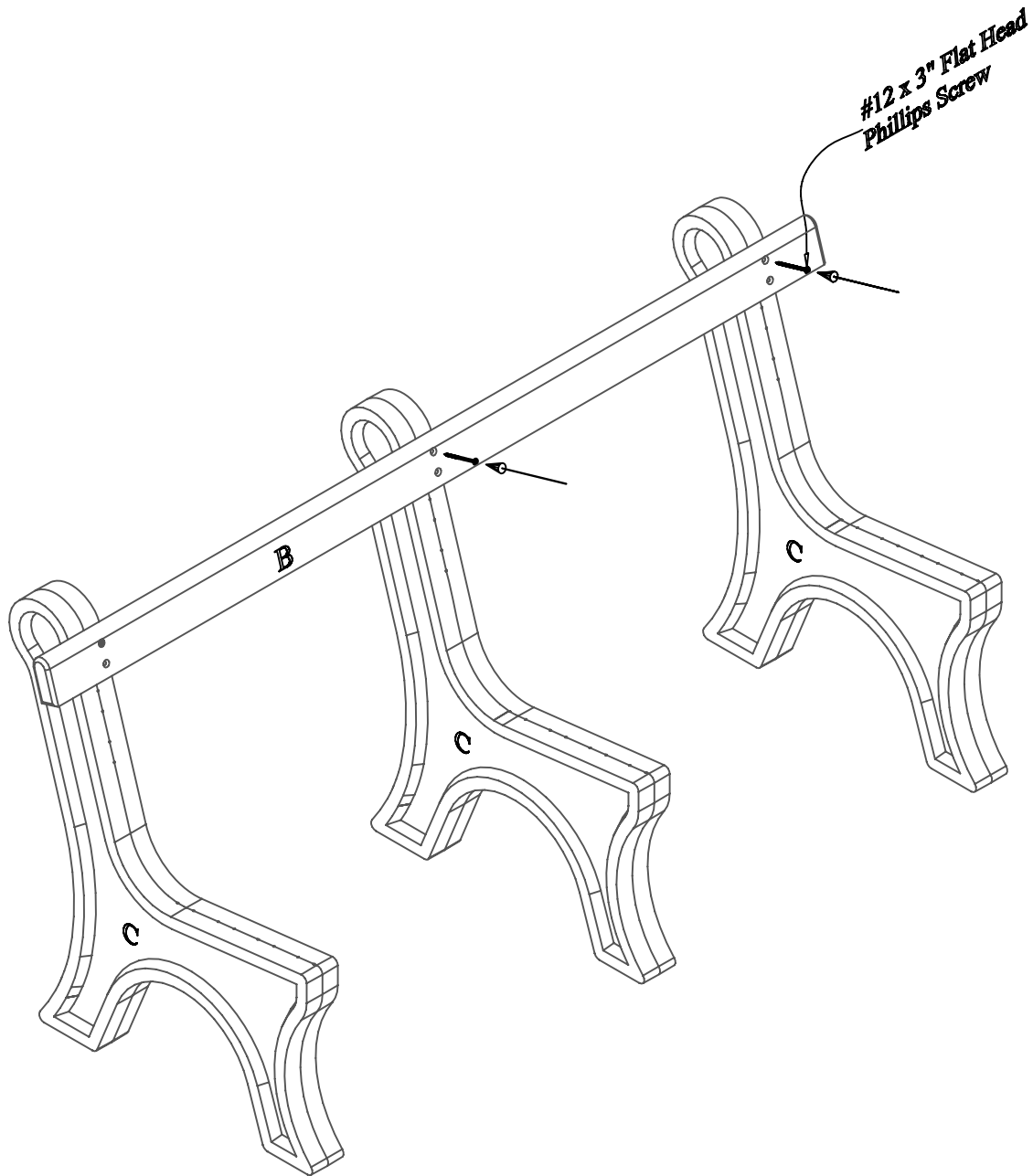
In order to make the assembly of this Park Classic Bench easier while going through the assembly process the board positions are numbered and will be referenced in later steps.



Step #1:

Stand (1) One bench end upright and place (1) One bull nose bench board as shown above in position 1 being sure to align the pre-drilled holes to the pilot holes in the bench end. After the holes are properly aligned, fasten with (1) One #12 x 3" Flat Head Phillips Screw in the top pre-drilled hole.

Note: Do not tighten screw completely. This will be done in a later step.

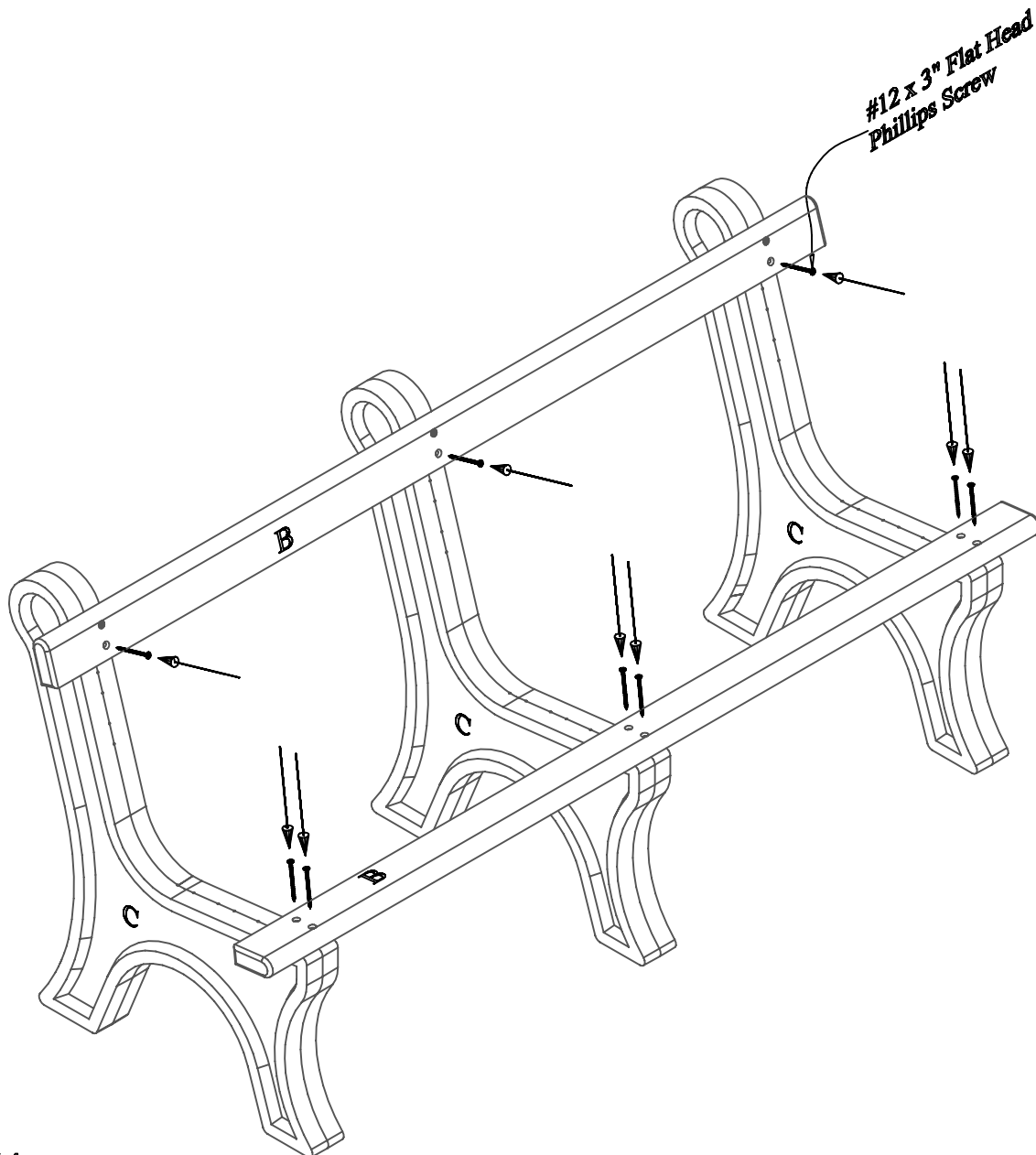


Stand the other (2) Two bench ends upright, one at a time, and place bench board already attached to the first bench end, on position 1 being sure to align the pre-drilled holes to the pilot holes in the bench end. After the holes are properly aligned, fasten with (1) One #12 x 3" Flat Head Phillips Screw in the top pre-drilled hole.

Note: Do not tighten screws completely. This will be done in a later step.

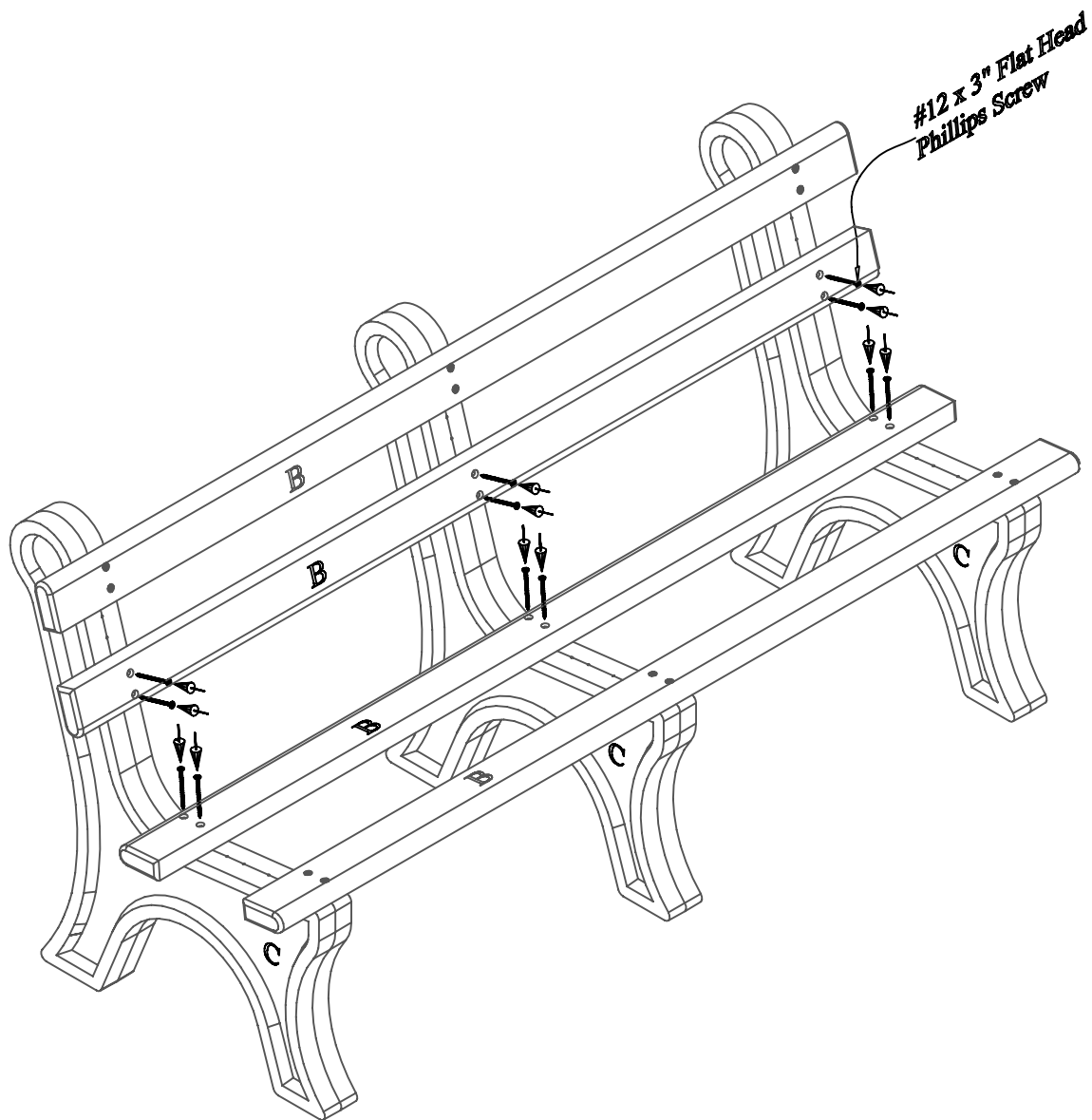
Align the bottom pre-drilled holes to the pilot holes in the bench end. A the holes are properly aligned, fasten with (1) One #12 x 3" Flat Head Phillips Screw per hole.

Note: Be sure to tighten screws completely after this step.

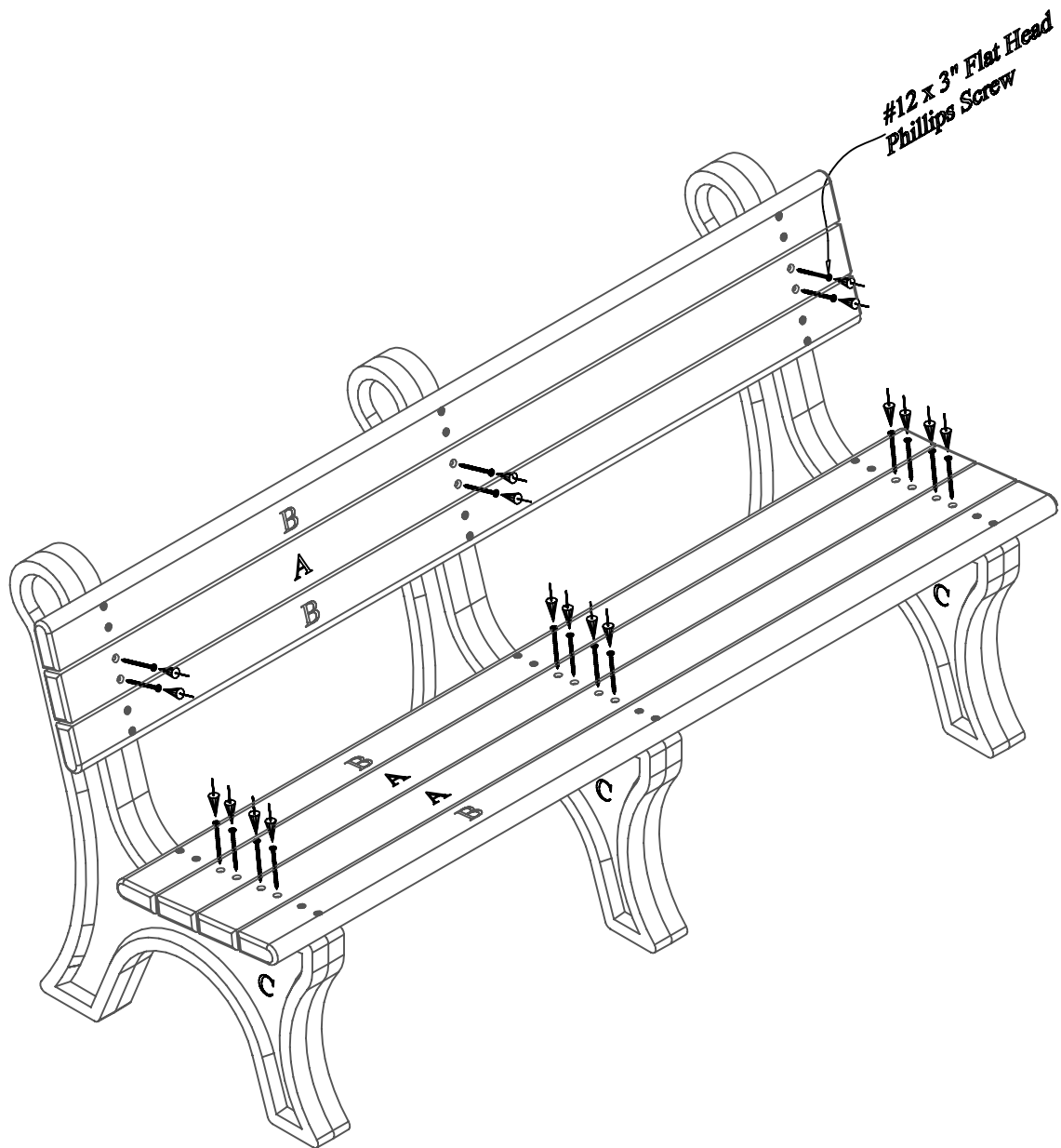


**Step #4:**

Place a second bull nose bench board on position 7 as shown above. Repeat Steps 1 - 3 to attach. Use (1) One #12 x 3" Flat Head Phillips Screw per hole to fasten.



Repeat Steps 1 - 3 to attach bull nose bench boards on positions 3 & shown above. Use (1) One #12 x 3" Flat Head Phillips Screw per hole to fasten.



Repeat Steps 1 - 3 to attach bench boards on positions 2, 5 & 6. Use One #12 x 3" Flat Head Phillips Screw per hole to fasten.