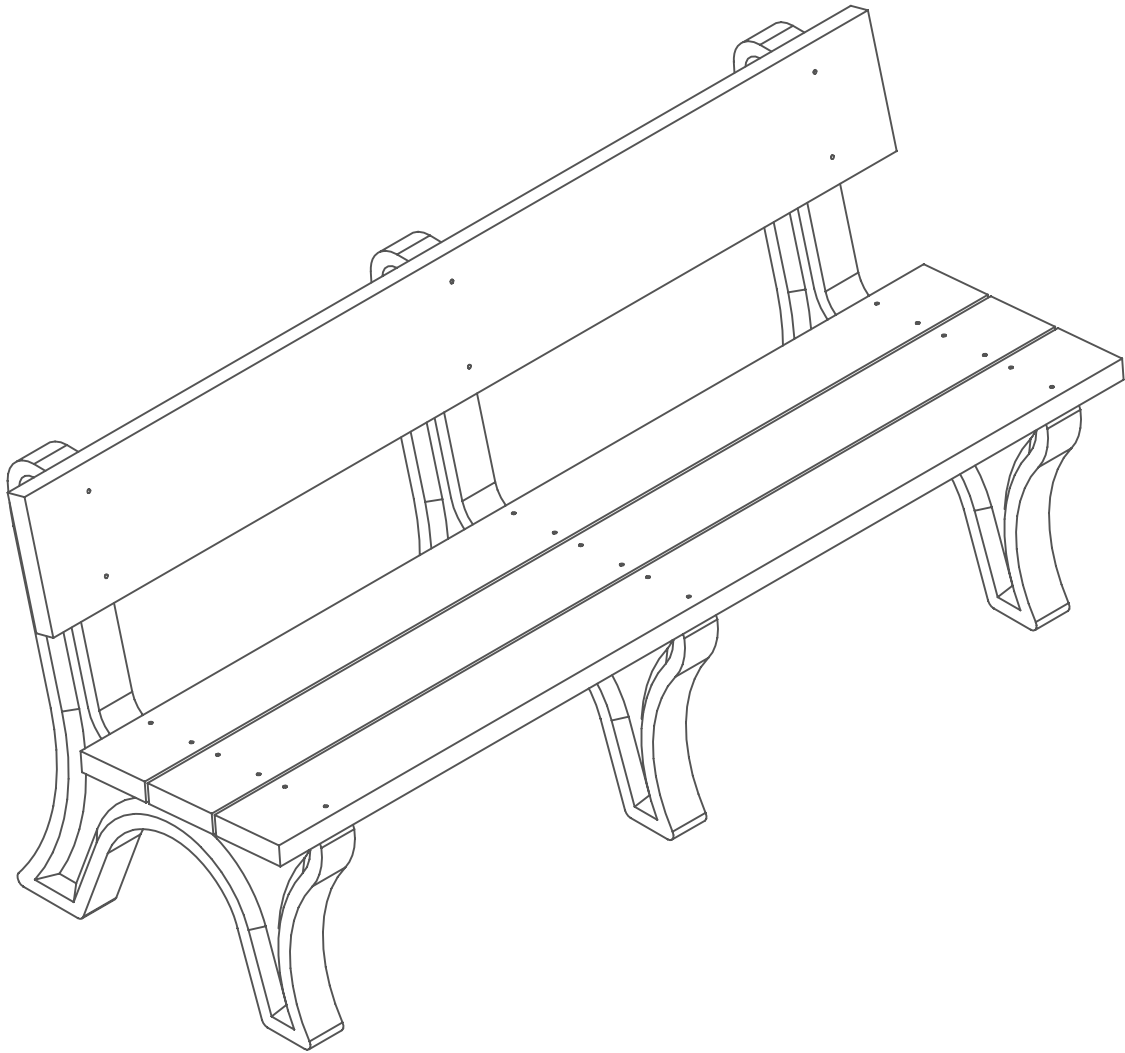




## Landmark Bench - With Back - 6FT

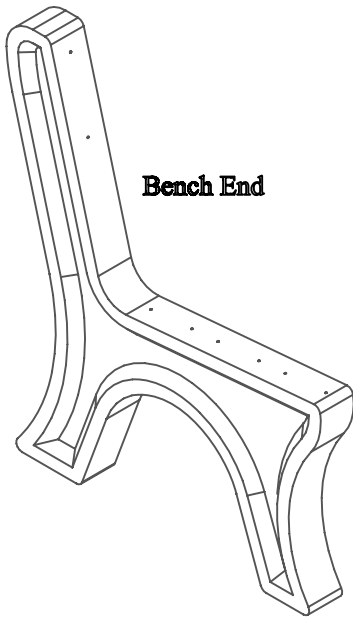


Before assembly, please make sure all components are included.

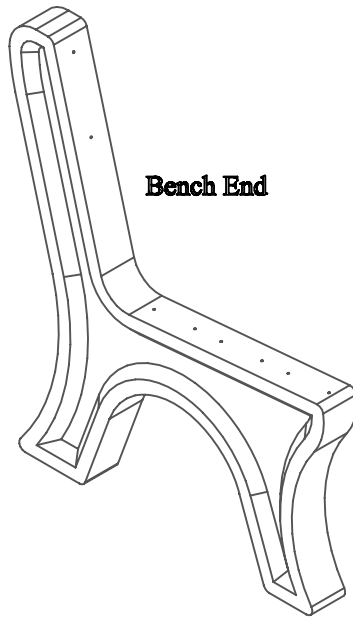


**( 1 ) - One Fastener Pack  
FP-LB6B-CU-02**

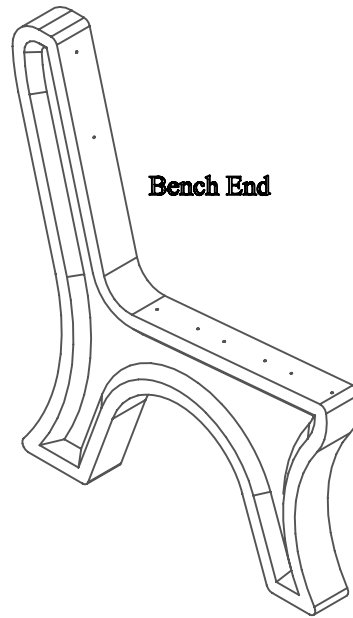
**FP - Fastener Pack**



**Bench End**

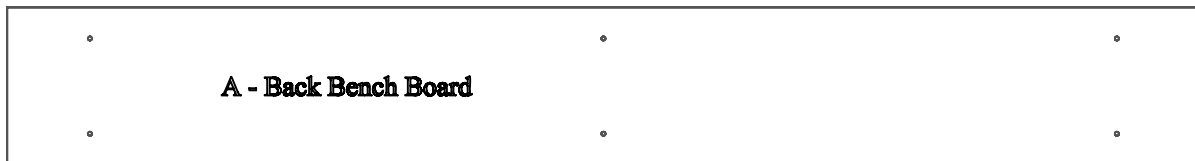


**Bench End**



**Bench End**

**( 3 ) - Three Bench Ends  
PS-SBBE-L-02**



**A - Back Bench Board**

**( 1 ) - One Back Bench Board  
BP-LB6B-A-01**



**B - Seat Bench Board**

**B - Seat Bench Board**

**B - Seat Bench Board**

**( 3 ) - Three Seat Bench Boards  
BP-TB6B-A-02**

Before assembly, please make sure all fasteners are included.

24 - #12 x 3" Flat Head Phillips Screw

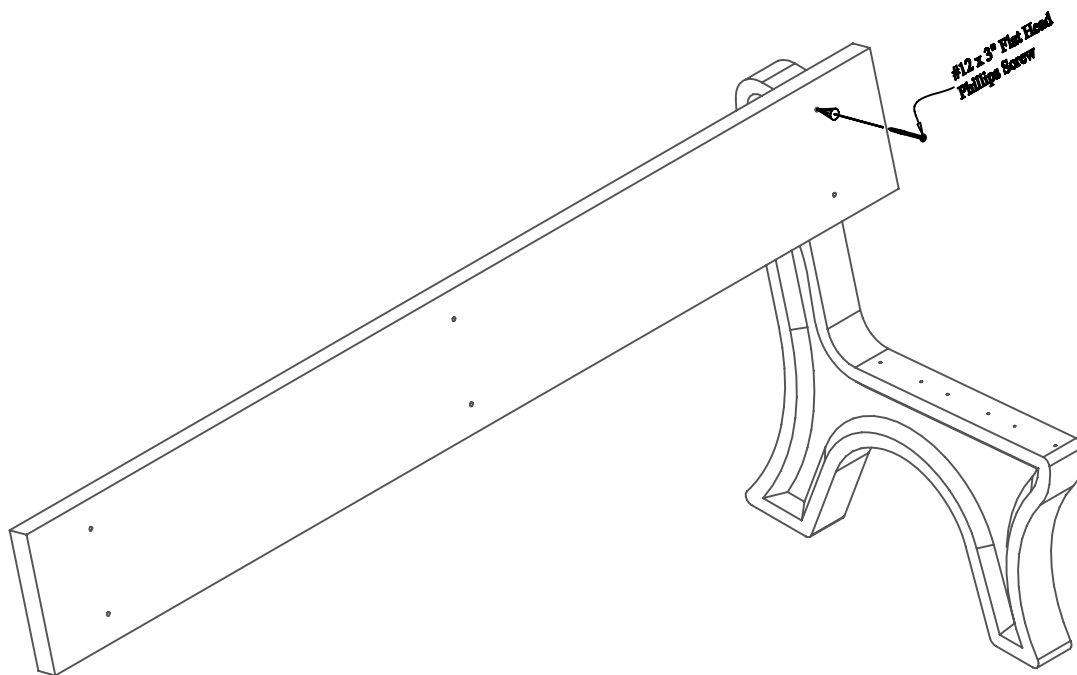
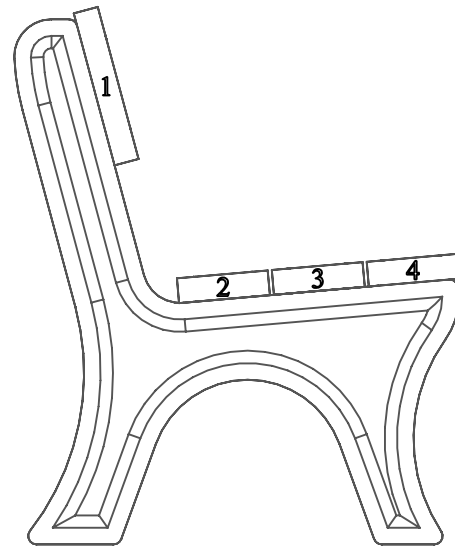


Also needed for this assembly will be the following materials:

1 - #3 Phillips Drive Bit

**Fig #1:**

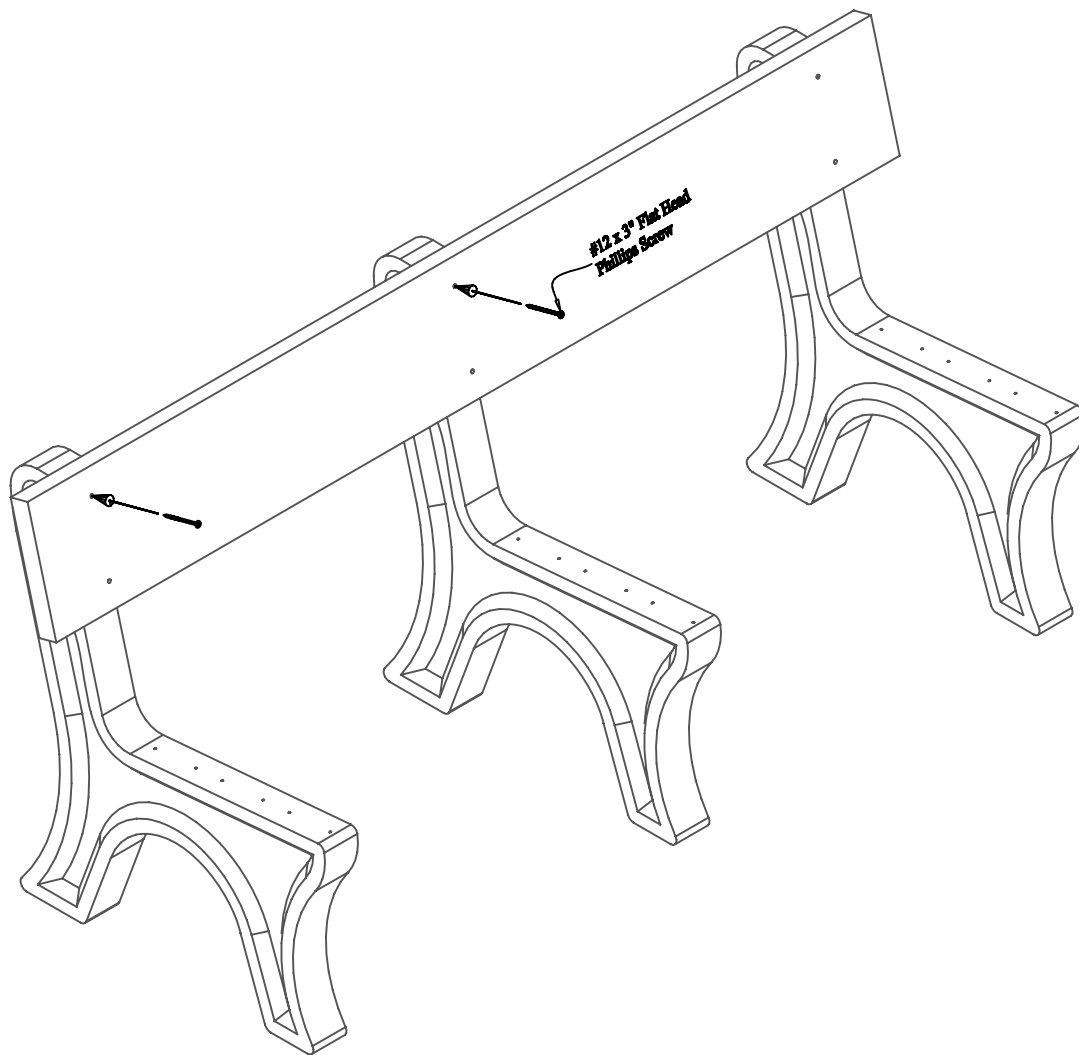
In order to make the assembly of this Landmark Bench easier while going through the assembly process the board positions are numbered and will be referenced in later steps.



**Step #1:**

Stand (1) One bench end upright and place (1) One back bench board on position 1 being sure to align the pre-drilled holes to the pilot holes in the bench end. After the holes are properly aligned, fasten with (1) One #12 x 3" Flat Head Phillips Screw in the top pre-drilled hole of the back bench board.

Note: Do not tighten screw completely. This will be done in a later step.



### Step #2:

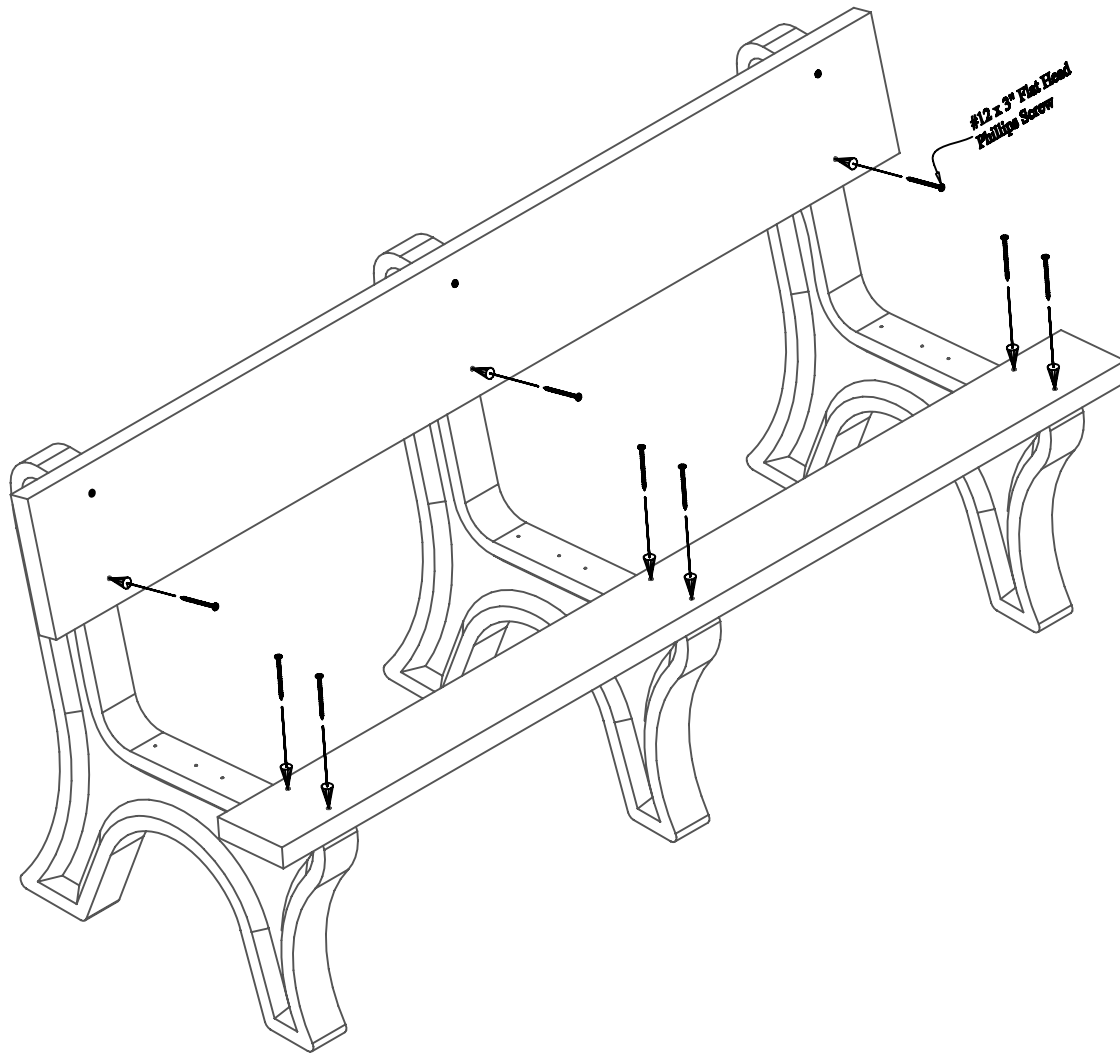
Stand the other (2) Two bench ends upright, one at a time, and place the back bench board already attached to the first bench end, on position 1 being sure to align the pre-drilled holes with the pilot holes in the bench end. After the holes are properly aligned, fasten with (1) One #12 x 3" Flat Head Phillips Screw in the top pre-drilled hole of the back bench board.

Note: Do not tighten screws completely. This will be done in a later step.

### Step #3:

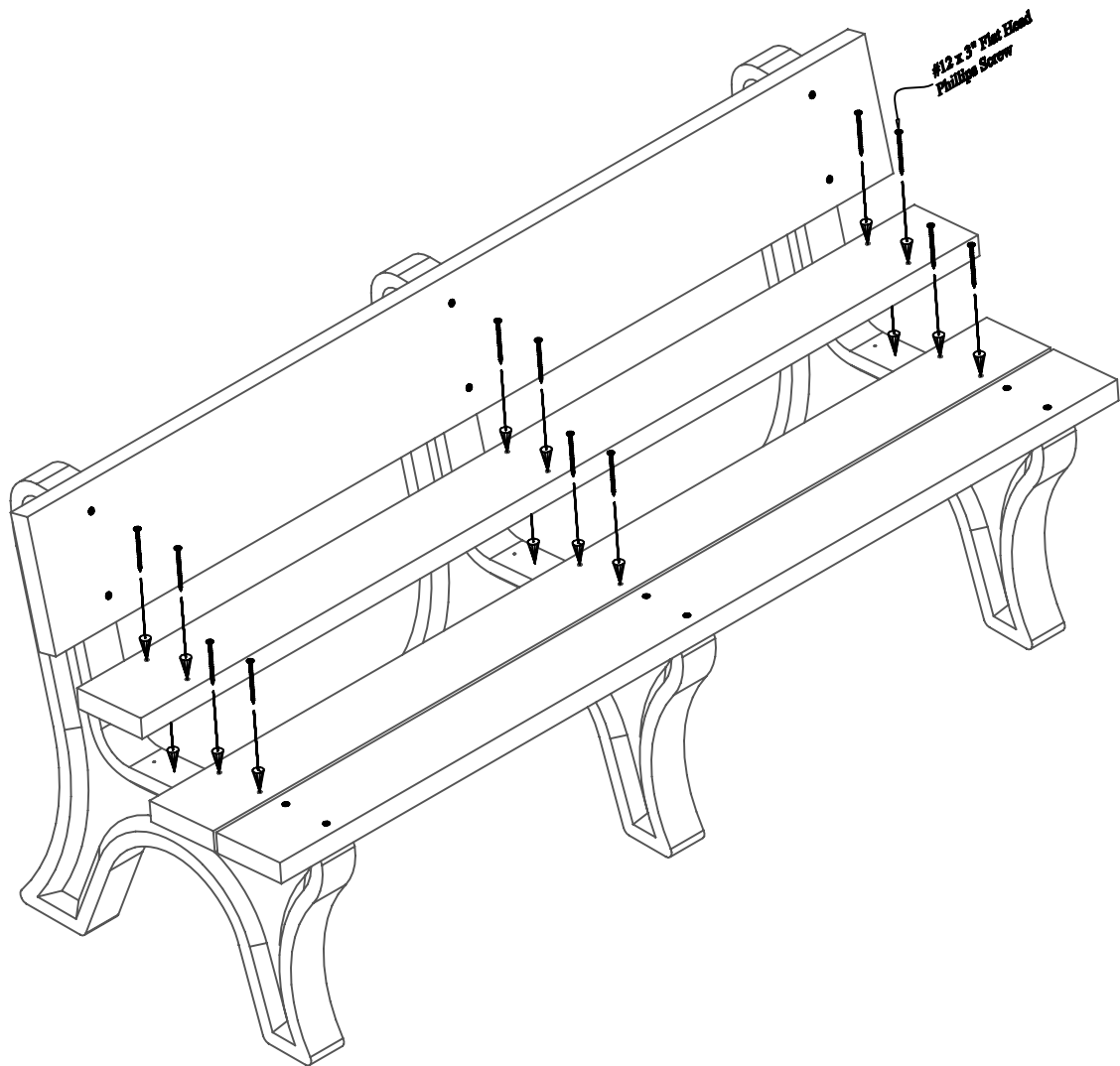
Align the bottom pre-drilled holes on the back bench board to the pilot holes on the bench end. After the holes are properly aligned, fasten with (1) One #12 x 3" Flat Head Phillips Screw per hole.

Note: Be sure to tighten screws completely after this step.



### Step #4:

Place (1) One seat bench board on position 4. Repeat Steps 1 - 3 to attach. Use (1) One #12 x 3" Flat Head Phillips Screw per hole to fasten.



**Step #5:**

Repeat Steps 1 - 3 to attach seat bench boards on positions 2 & 3. Use (1) One #12 x 3" Flat Head Phillips Screw per hole to fasten.