



## The Deluxe Bench

SKU: 488be110



4 Foot - Black Bench Frame Cedar Planks



6 Foot - Brown Bench Frame Sand Planks

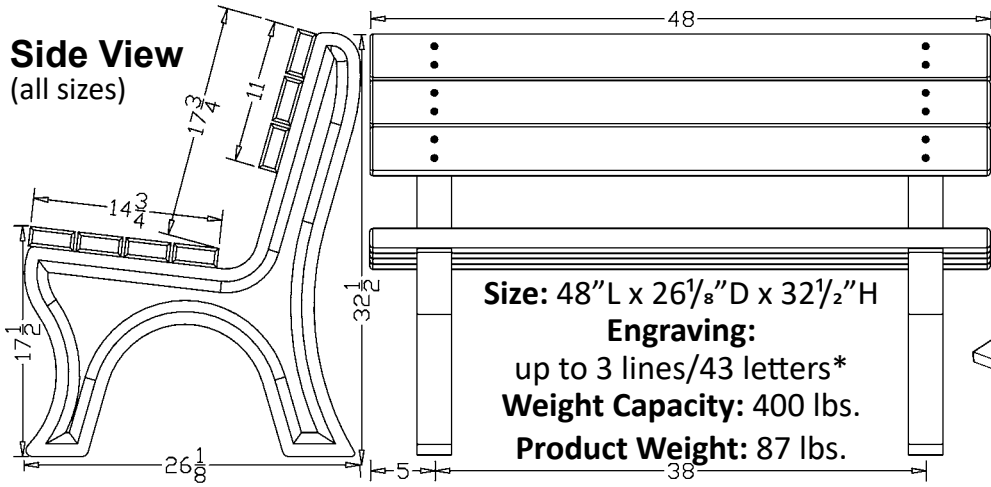


8 Foot - Green Bench Frame Weathered Wood Planks

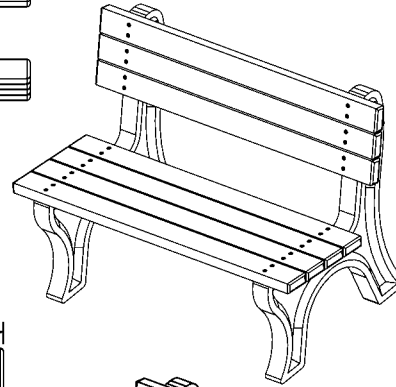


The Deluxe Bench is ideal for engraving up to 3 boards with both text and logos.

**Side View**  
(all sizes)



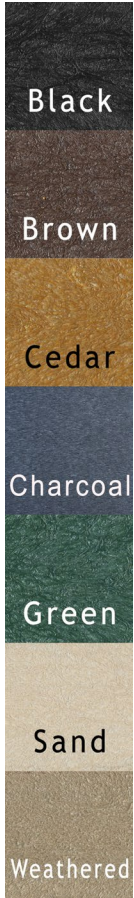
4 Ft.



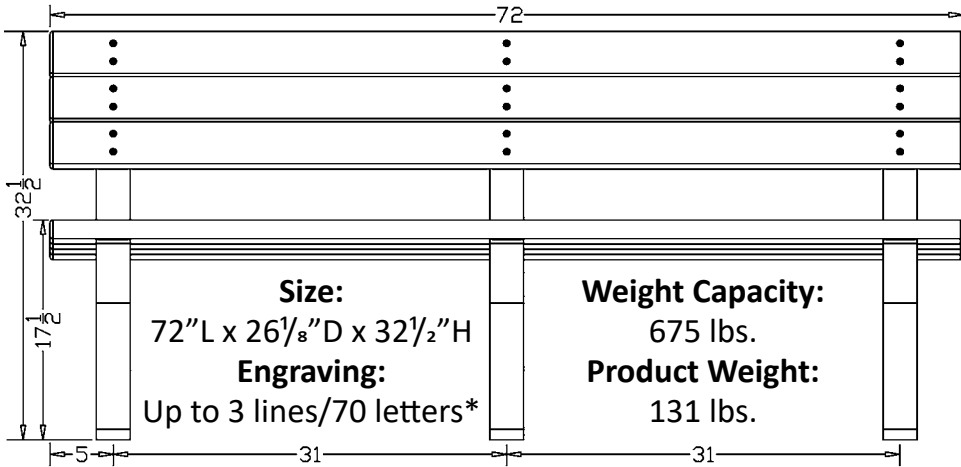
Available  
Frame  
Colors:



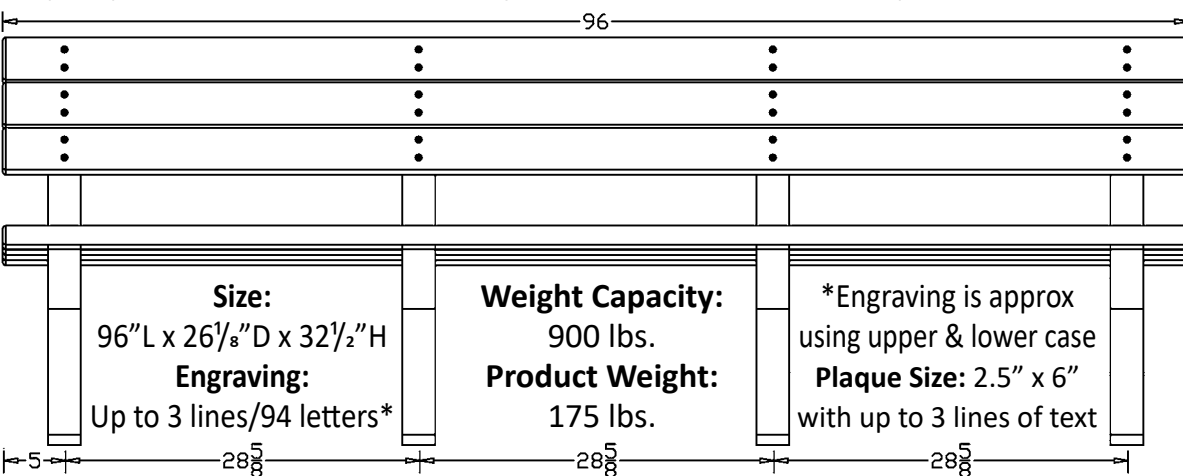
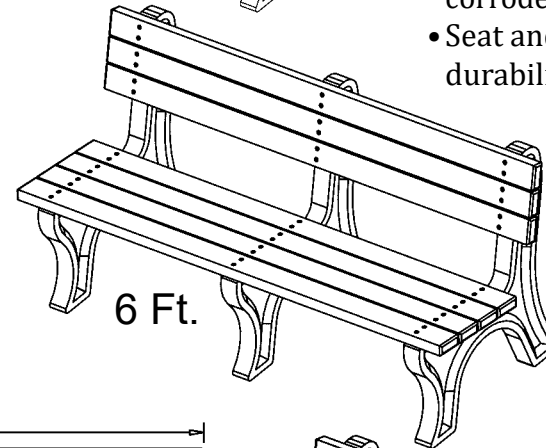
Available  
Plank  
Colors:



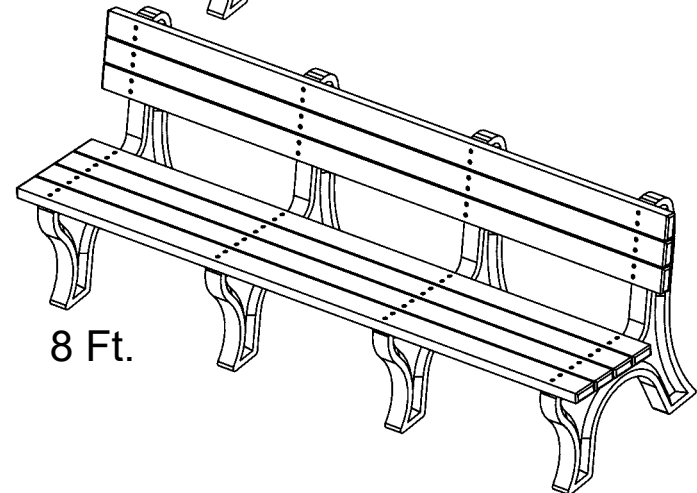
- Heavy duty/weather resistant/maintenance free!
- No need to stain or paint
- Resists fading, peeling and graffiti as the color is molded all the way through
- Can be surface mounted with brackets (sold separately)
- Stainless steel fasteners do not corrode nor rust
- Seat and back use 2 x 4's for durability and comfort.



6 Ft.



8 Ft.



## Deluxe Bench with Arms

SKU: 488be110



4 Foot Green Bench  
Frame Sand Planks

The Deluxe Bench is designed for durability and comfort offering a wide seat and back support. It is built using standard sized 2" x 4" planks made out of 100% post-consumer recycled plastic, and comes with a choice of 3 frame colors and 7 plank colors.



6 Foot Brown Bench Frame Weathered Wood Planks

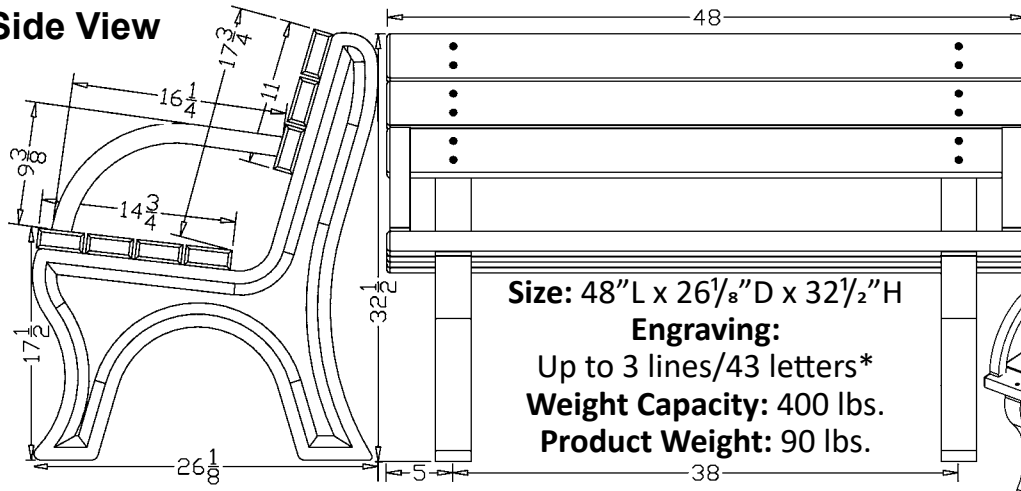


8 Foot Black Bench Frames Cedar Planks

The Deluxe Bench is ideal for engraving up to 3 boards with both text and logos.



**Side View**



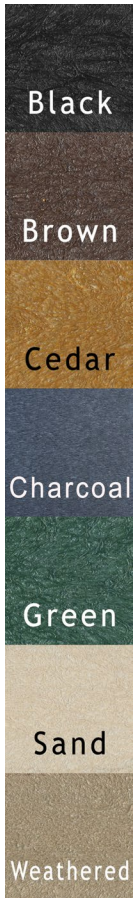
**Size:** 48" L x 26 1/8" D x 32 1/2" H  
**Engraving:**  
 Up to 3 lines/43 letters\*  
**Weight Capacity:** 400 lbs.  
**Product Weight:** 90 lbs.

4 Ft.

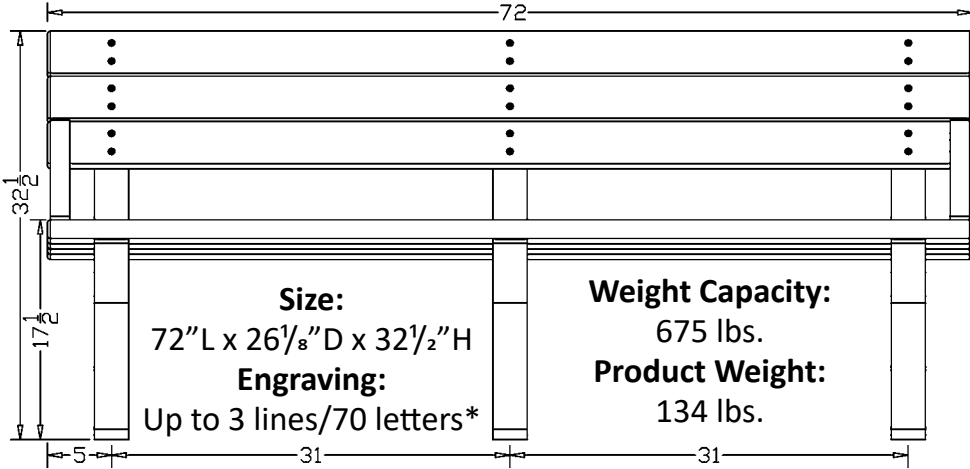
Available  
 Frame  
 Colors:



Available  
 Plank  
 Colors:

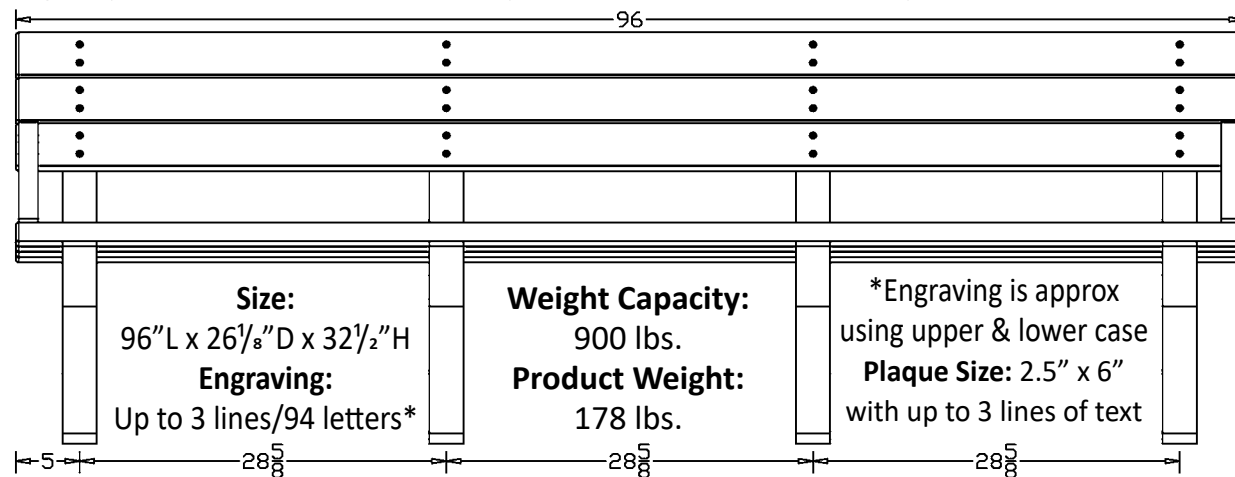
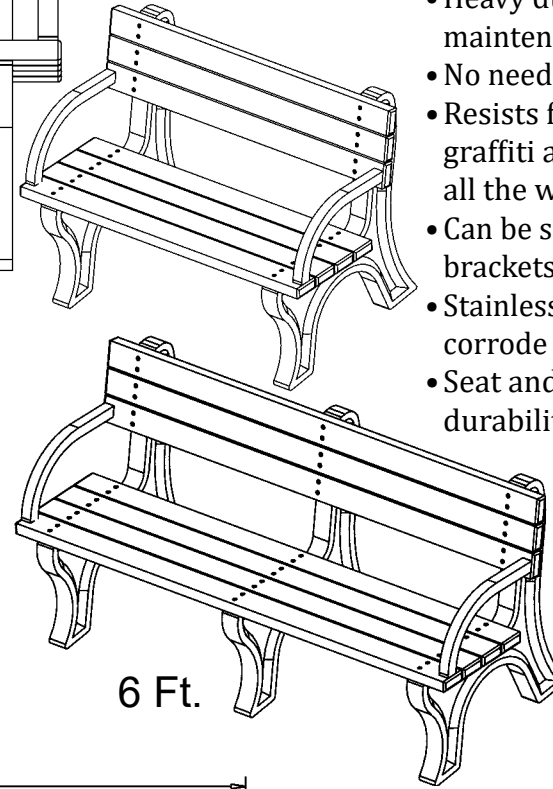


- Heavy duty/weather resistant/maintenance free!
- No need to stain or paint
- Resists fading, peeling and graffiti as the color is molded all the way through
- Can be surface mounted with brackets (sold separately)
- Stainless steel fasteners do not corrode nor rust
- Seat and back use 2 x 4's for durability and comfort.



**Size:** 72" L x 26 1/8" D x 32 1/2" H  
**Engraving:**  
 Up to 3 lines/70 letters\*  
**Weight Capacity:** 675 lbs.  
**Product Weight:** 134 lbs.

6 Ft.



**Size:** 96" L x 26 1/8" D x 32 1/2" H  
**Engraving:**  
 Up to 3 lines/94 letters\*  
**Weight Capacity:** 900 lbs.  
**Product Weight:** 178 lbs.  
 \*Engraving is approx using upper & lower case  
**Plaque Size:** 2.5" x 6" with up to 3 lines of text

8 Ft.

