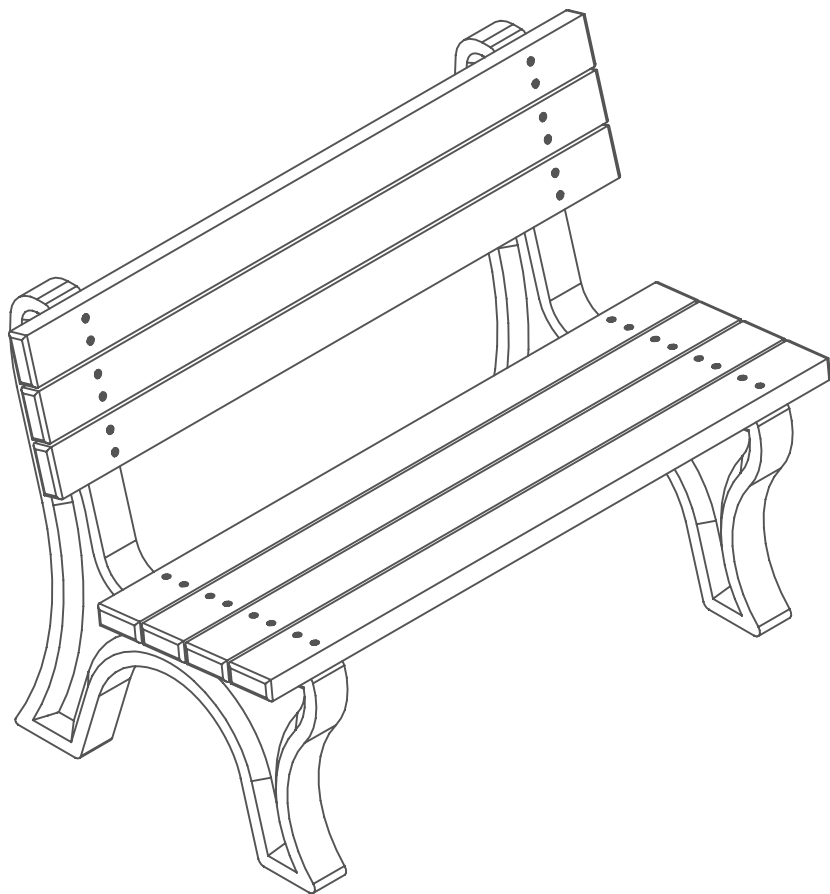




4ft Deluxe Park Bench

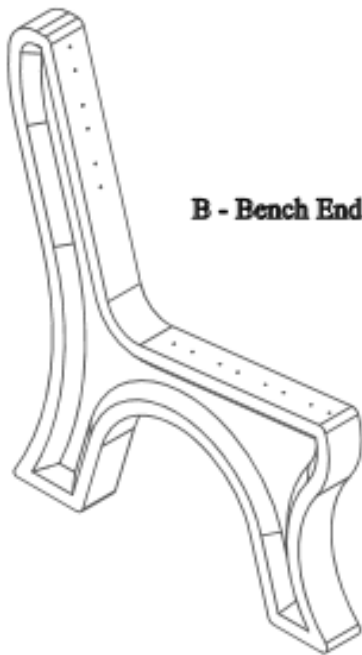


Before assembly, please make sure all components are included.

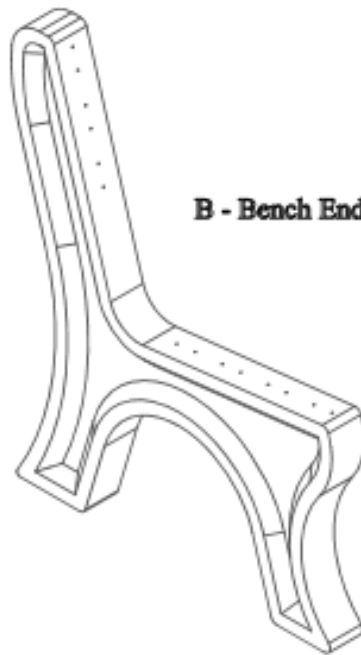


**(1) - One Fastener Pack
FP-DB4B-CU-02**

FP - Fastener Pack



B - Bench End



B - Bench End

**(2) - Two Bench Ends
PS-SBBE-D-02**

•	A - Bench Board	•
•	A - Bench Board	•
•	A - Bench Board	•
•	A - Bench Board	•
•	A - Bench Board	•
•	A - Bench Board	•
•	A - Bench Board	•

**(7) - Seven Bench Boards
BP-DB4B-A-02**

Before assembly, please make sure all fasteners are included.

28 - #12 x 3" Flat Head Phillips Screw



Also needed for this assembly will be the following materials:

1 - #3 Phillips Drive Bit

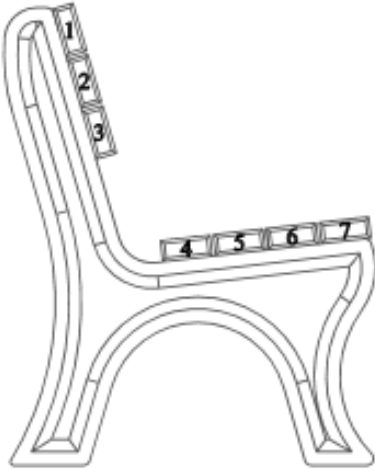
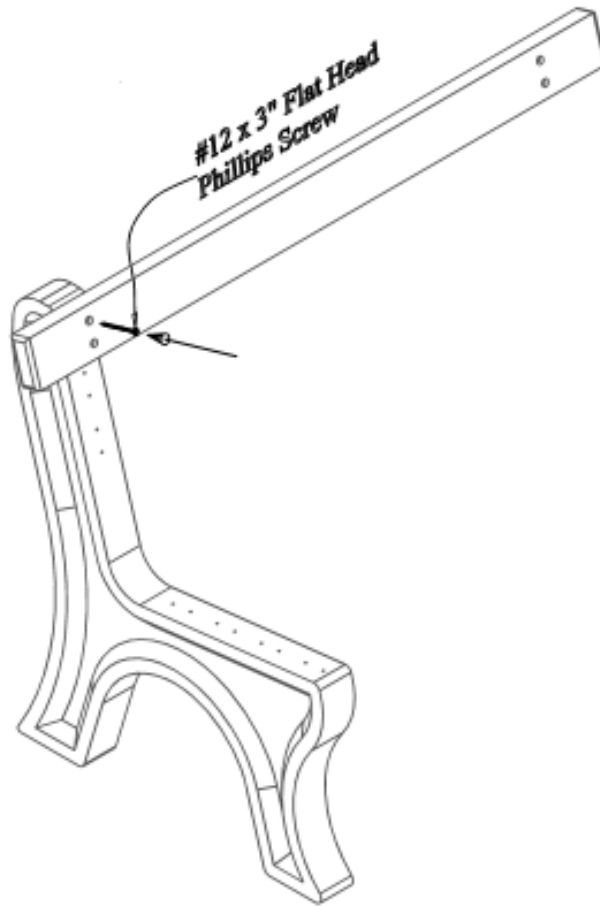


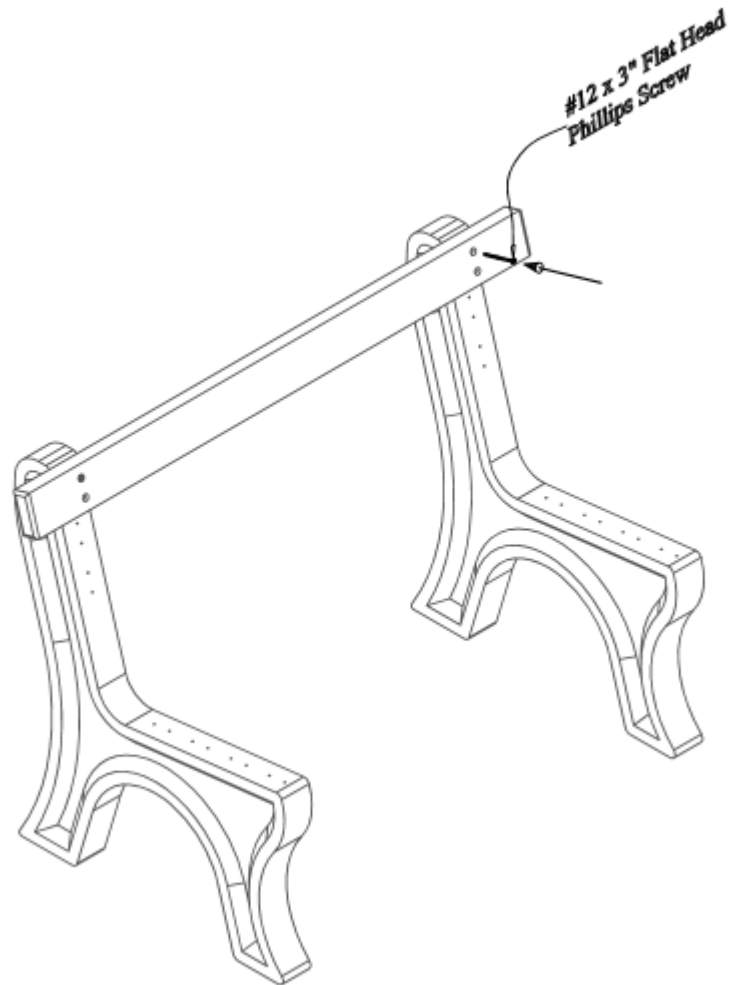
Fig #1:
In order to make the assembly of this Deluxe Bench easier while going through the assembly process the board positions are numbered and will be referenced in later steps.



Step #1:

Stand (1) bench end upright and place (1) bench board on position 1 being sure to align the pre-drilled holes to the pilot holes in the bench end. After the holes are properly aligned, fasten with (1) #12 x 3" Flat Head Phillips Screw in the top pre-drilled hole.

Note: Do not tighten screw completely. This will be done in a later step.



Step #2:

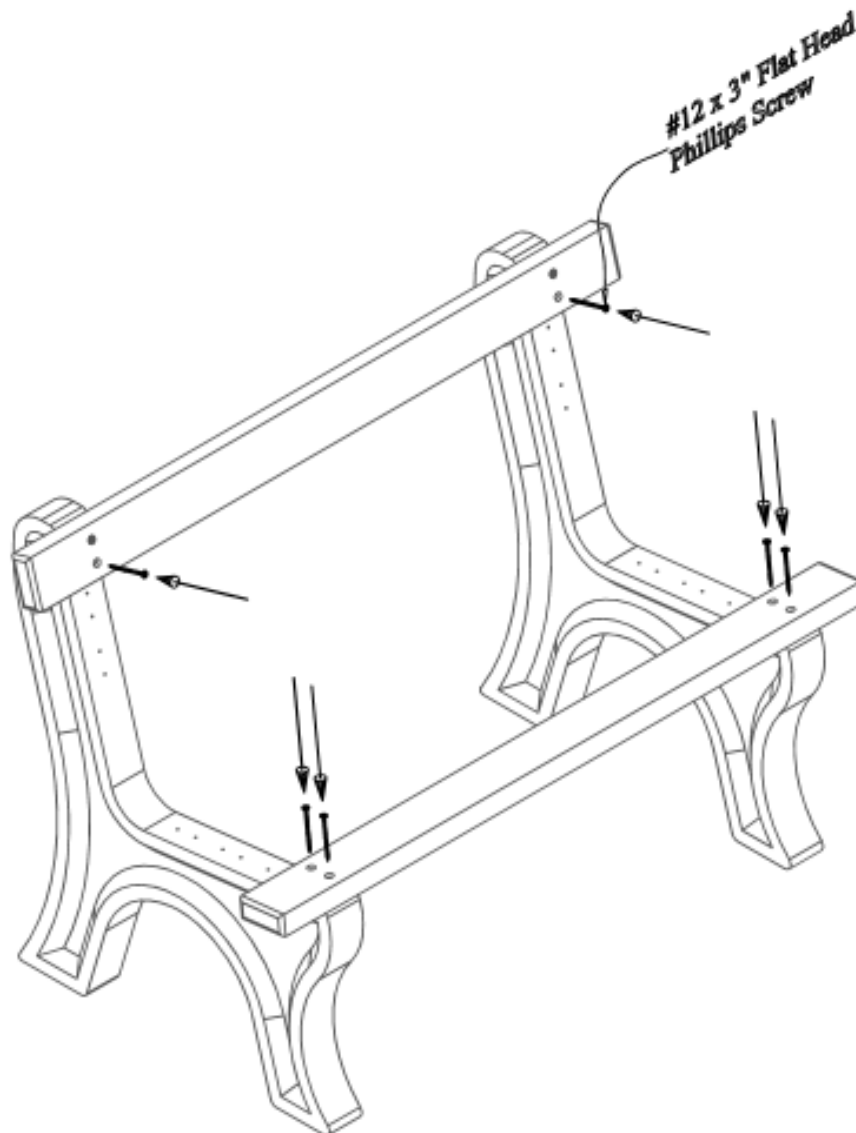
Stand the other (2) bench ends upright, one at a time, and place the bench board already attached to the first bench end, on position 1 being sure to align the pilot holes with the pre-drilled holes in the bench end. After the holes are properly aligned, fasten with (1) #12 x 3" Flat Head Phillips Screw in the top pre-drilled hole.

Note: Do not tighten screws completely. This will be done in a later step.

Step #3:

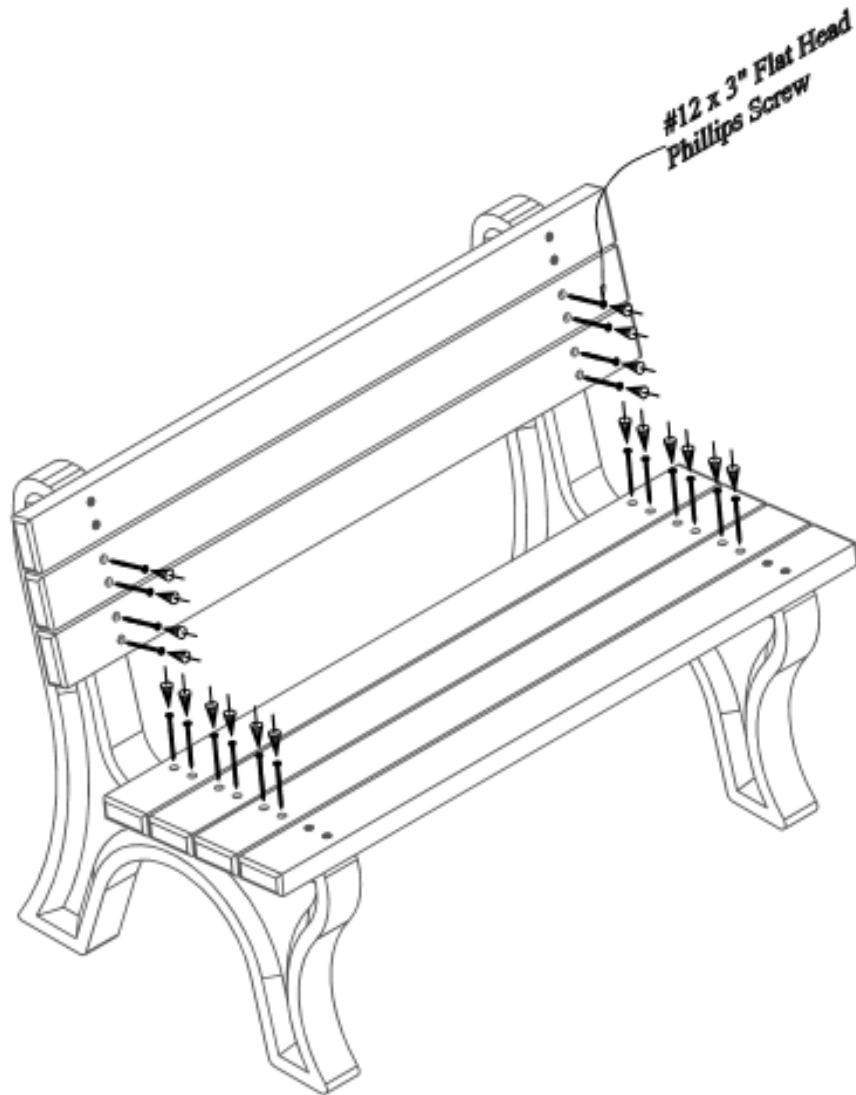
Align the bottom pre-drilled holes to the pilot holes in the bench end. After the holes are properly aligned, fasten with (1) #12 x 3" Flat Head Phillips Screw per hole.

Note: Be sure to tighten screws completely after this step.



Step #4:

Place a second bench board on position 7. Repeat Steps 1-3 to attach. Use (1) #12 x 3" Flat Head Phillips Screw per hole to fasten.



Step #5:

Repeat Steps 1-3 to attach bench boards on positions 2,3,4,5 & 6
Use (1) #12 x 3" Flat Head Phillips Screw per hole to fasten.