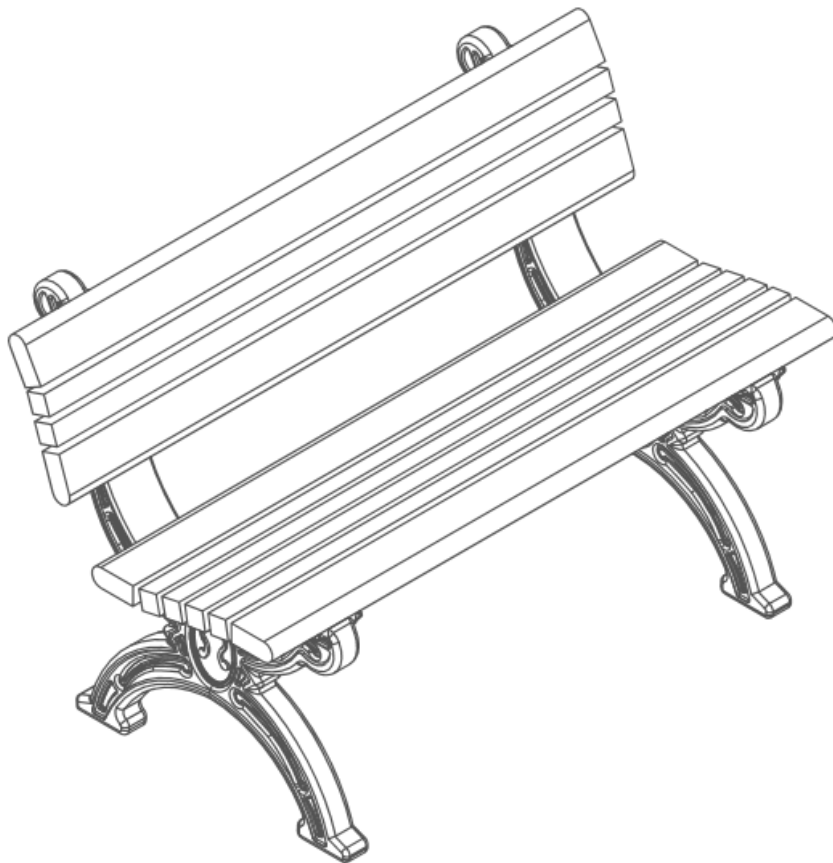




4ft Cambridge Park Bench

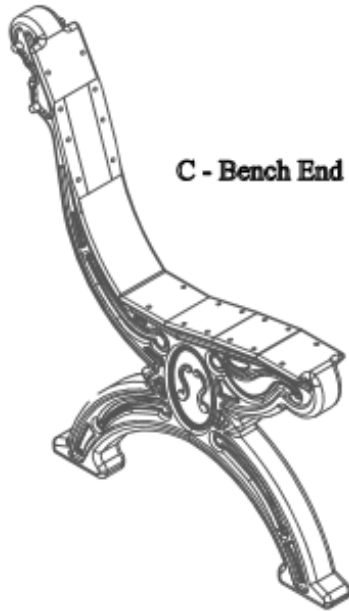


Before assembly, please make sure all components are included.

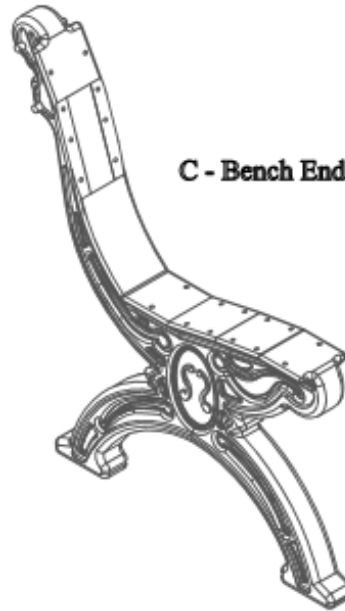


(1) - One Fastener Pack

FP - Fastener Pack



C - Bench End



C - Bench End

(2) - Two Bench Ends

.	.	A - Bull Nose Bench Board	.	.
.	.	A - Bull Nose Bench Board	.	.
.	.	A - Bull Nose Bench Board	.	.
.	.	A - Bull Nose Bench Board	.	.

(4) - Four Bull Nose Bench Boards

.	.	B - Bench Board	.	.
.	.	B - Bench Board	.	.
.	.	B - Bench Board	.	.
.	.	B - Bench Board	.	.
.	.	B - Bench Board	.	.
.	.	B - Bench Board	.	.

(6) - Six Bench Boards



Before assembly, please make sure all fasteners are included.

40 - #12 x 1 1/2" Pan Head Phillips Screw

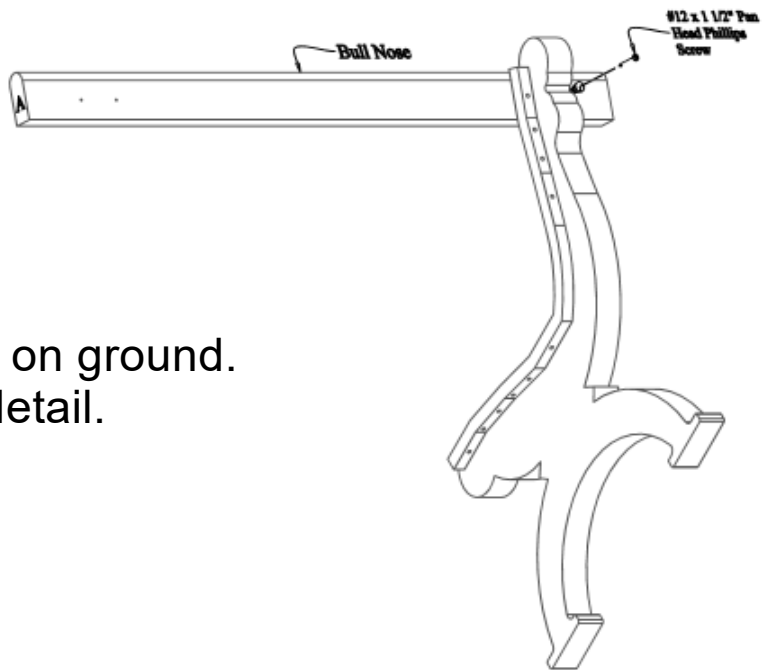
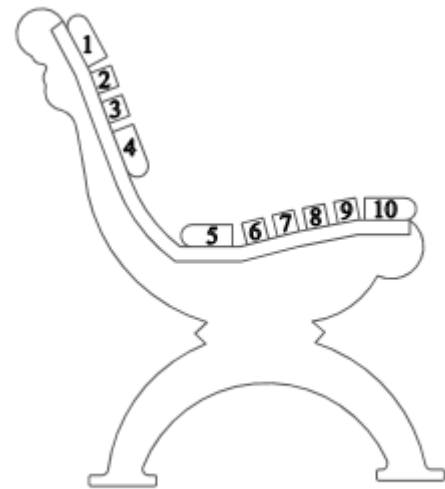


Also needed for this assembly will be the following materials:

1 - #3 Phillips Drive Bit

Fig #1:

In order to make the assembly of this Cambridge Bench easier while going through the assembly process the board positions are numbered and will be referenced in later steps.



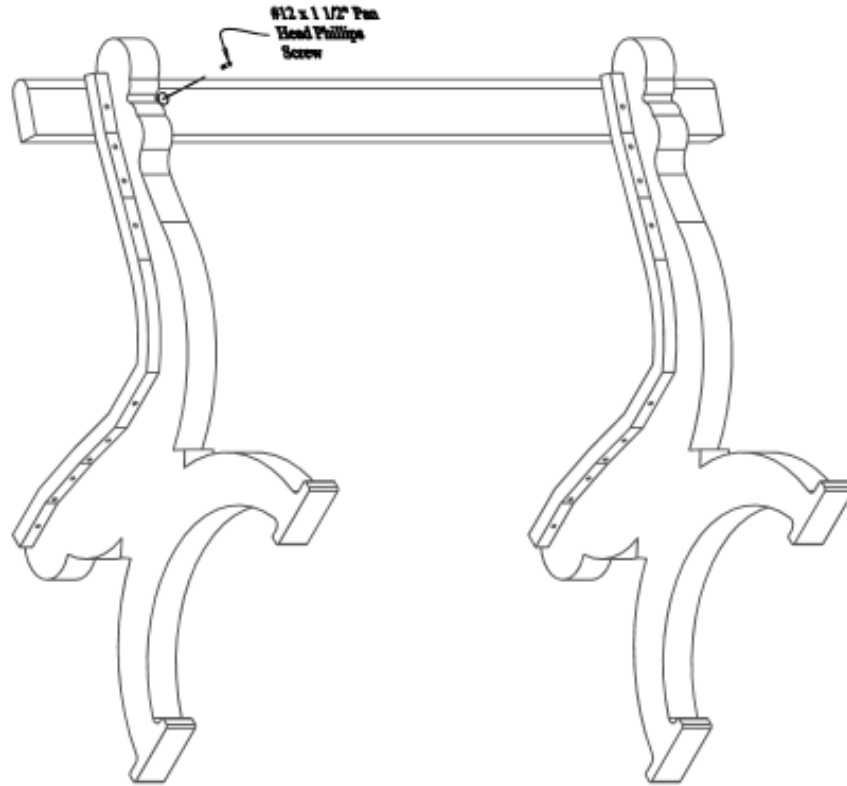
Note:

Stand bench ends flat on ground.
View is only to show detail.

Step #1:

Stand (1) bench end upright and place (1) bull nose bench board (A) on position 1 being sure to align the pilot holes to the pre-drilled holes in the bench end. After the holes are properly aligned, fasten with (1) #12 x 1 1/2" Pan Head Phillips Screw in the pre-drilled hole on the right side of the bench end.

Note: Do not tighten screw completely. This will be done in a later step.



Step #2:

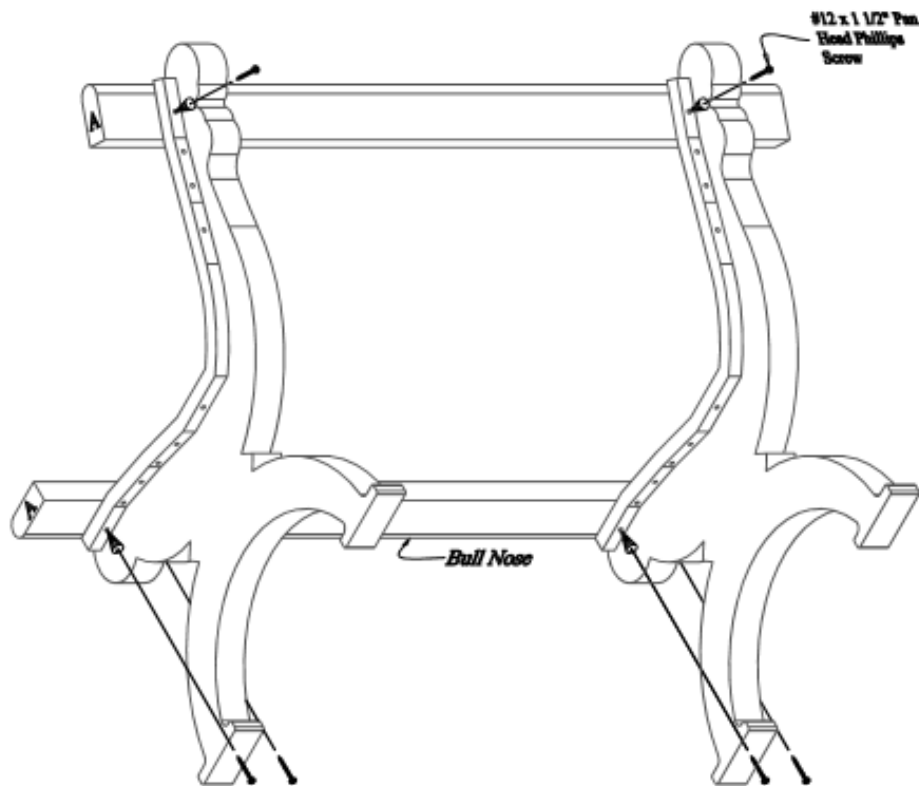
Stand the other bench end upright, and place the bull nose bench board (A) already attached to the first bench end, on position 1 being sure to align the pilot holes with the pre-drilled holes in the bench end. After the holes are properly aligned, fasten with (1) #12 x 1 1/2" Pan Head Phillips Screw in the pre-drilled hole on the right side of the bench end.

Note: Do not tighten screws completely. This will be done in a later step.

Step #3:

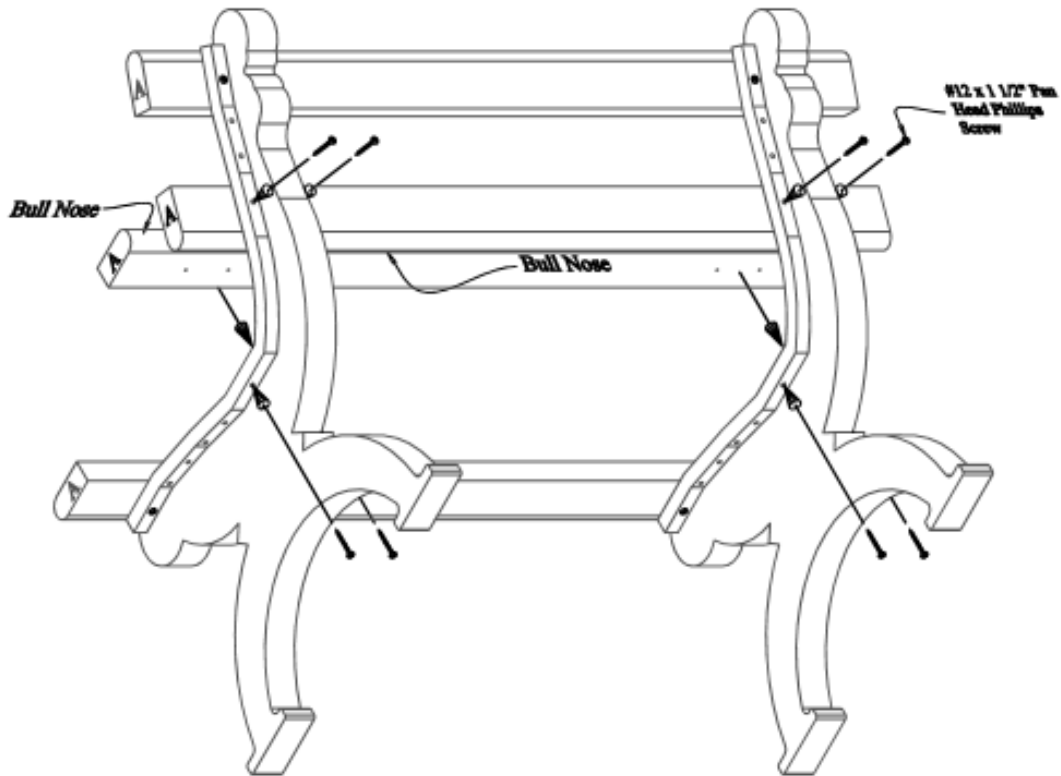
Align the pilot holes on the bull nose bench board (A) to the pre-drilled holes on the left side of the bench ends. After the holes are properly aligned, fasten with (1) #12 x 1 1/2" Pan Head Phillips Screw per bench end.

Note: Be sure to tighten screws completely after this step.



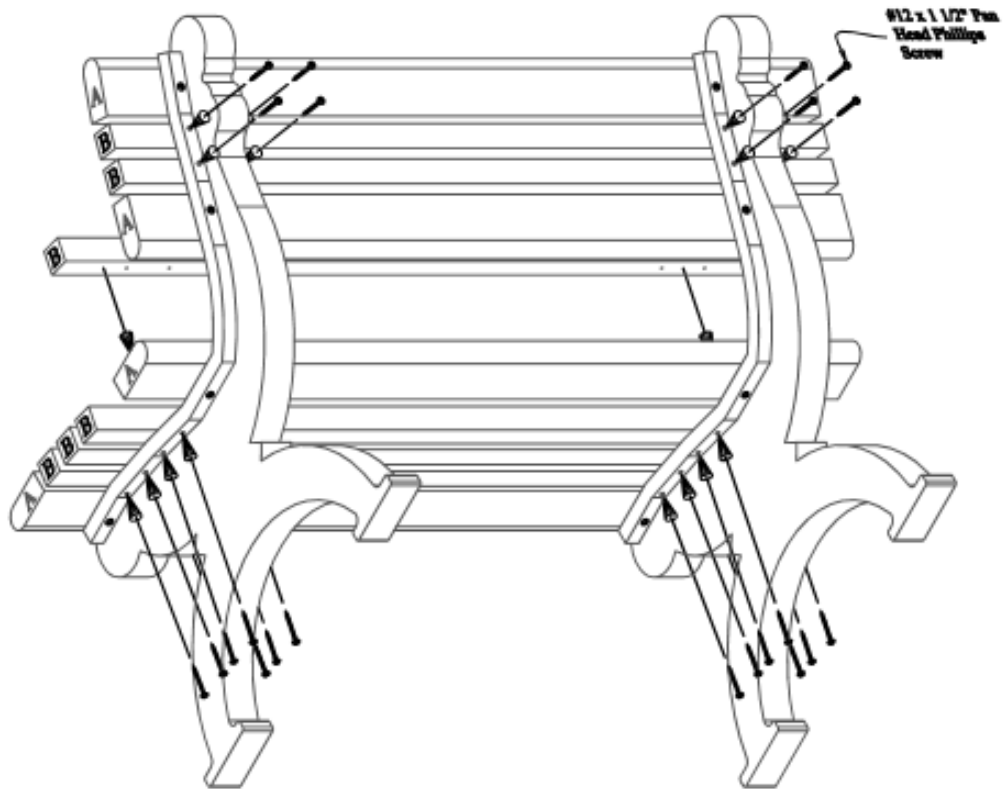
Step #4:

Place a second bull nose bench board (A) on position 10. Repeat Steps 1-3 to attach. Use (1) #12 x 1 1/2" Pan Head Phillips Screw per hole to fasten.



Step #5:

Repeat Steps 1-3 to attach bull nose bench boards (A) on positions 4 & 5. Use (1) #12 x 1 1/2" Pan Head Phillips Screw per hole to fasten.



Step #6:

Repeat Steps 1-3 to attach bench boards (B) on positions 2,3,6,7,8 & 9. Use (1) #12 x 1 1/2" Pan Head Phillips Screw per hole to fasten.