

VICTORIAN PARK BENCH - 60" RECYCLED PLASTIC

FRAME

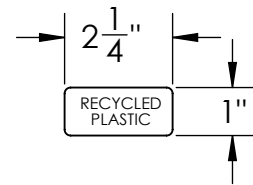
- **Material:** Cast aluminum poured in permanent molds
- **Finish:** Electro static powder coating
- **Color:** Black, White, Green, Tan, Dk. Brown, Dk. Green, Bronze and Blue.

PLASTIC RAILS

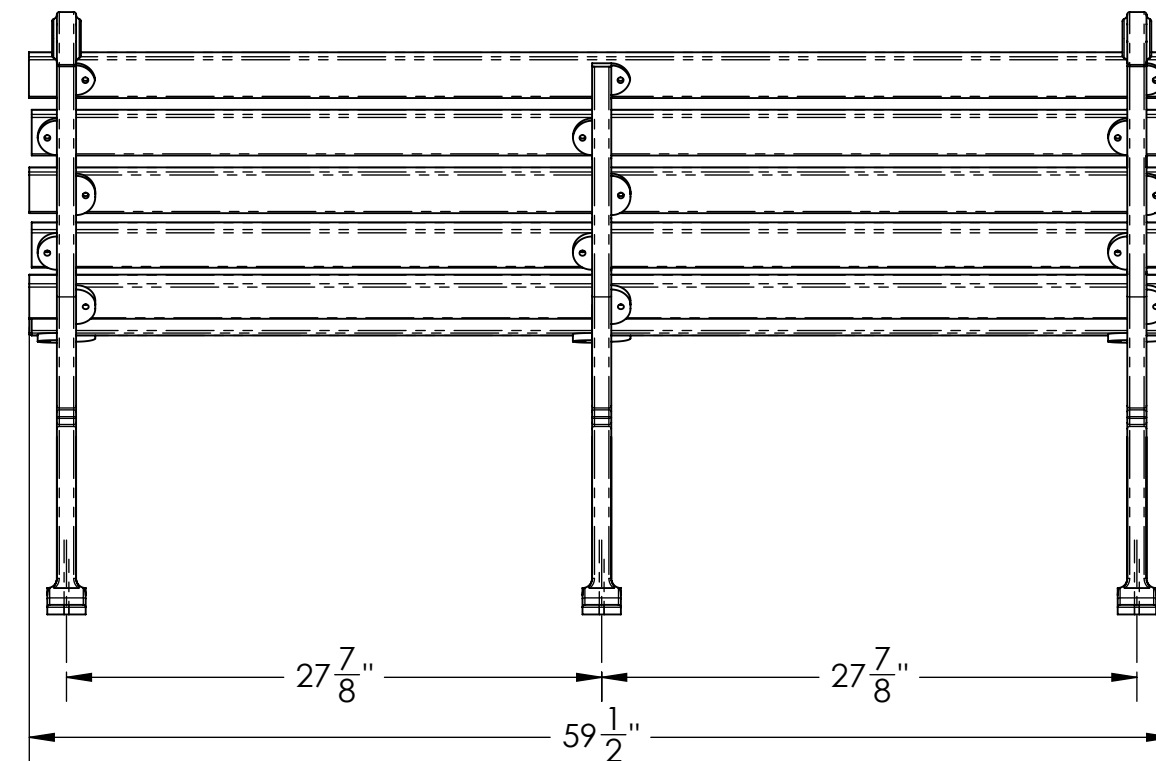
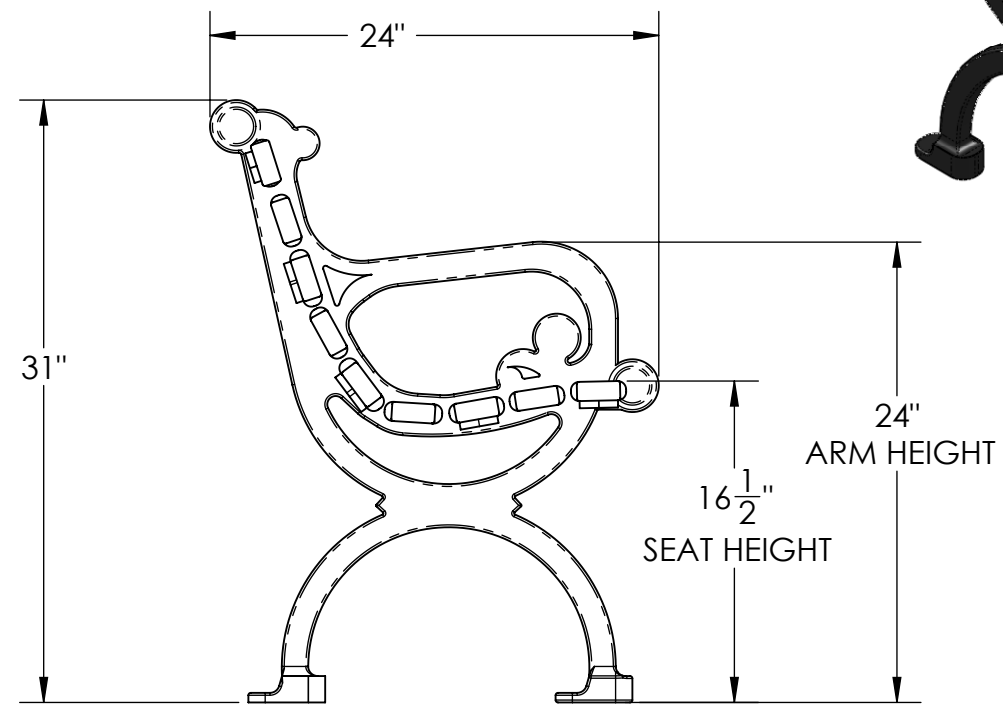
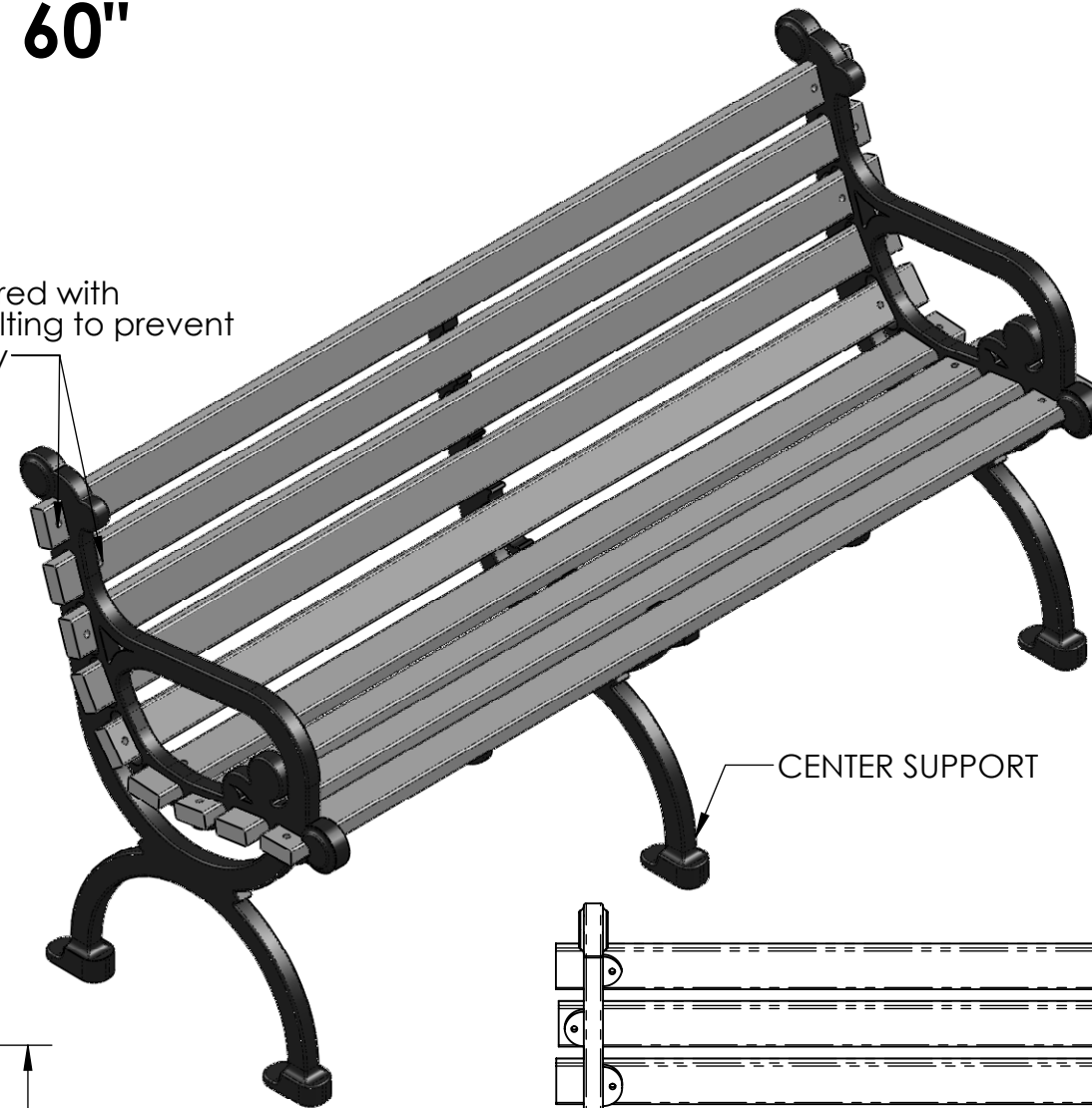
- **Material:** Polystyrene
- **Number of Rails:** 9
- **Finish:** Cedar or Redwood

HARDWARE

- **Carriage Bolts:** 1/4"-20 steel zinc plate, yellow dipped
- **Nuts:** 1/4" steel zinc plate



Engineered with cross-bolting to prevent end play



BOLT DOWN DETAIL

VICTORIAN and RENAISSANCE benches can be drilled for permanent attachment