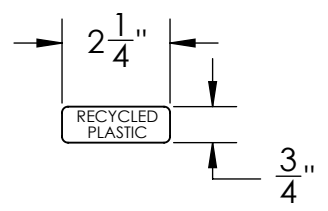
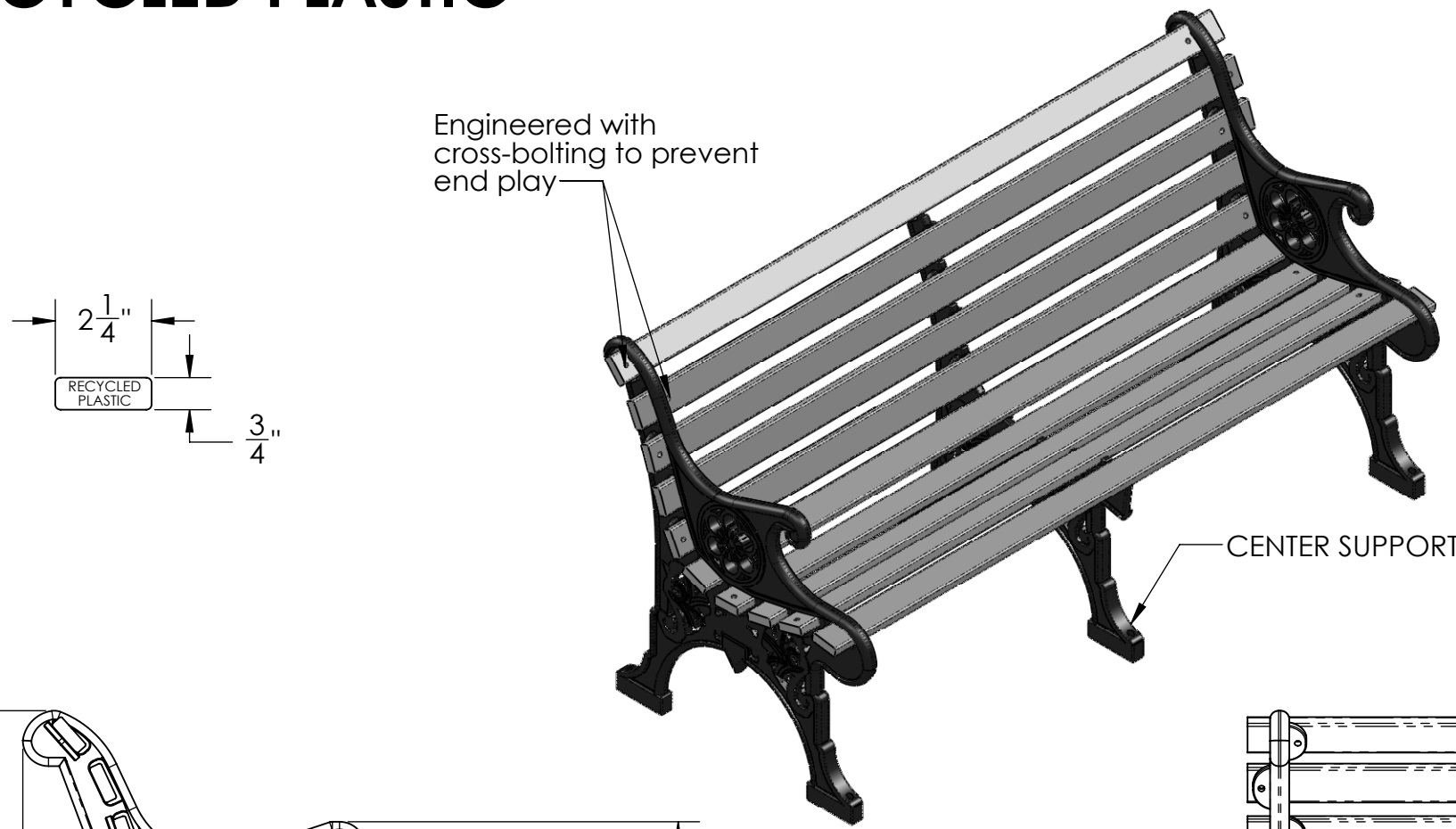


RENAISSANCE PARK BENCH - 60"

RECYCLED PLASTIC



FRAME

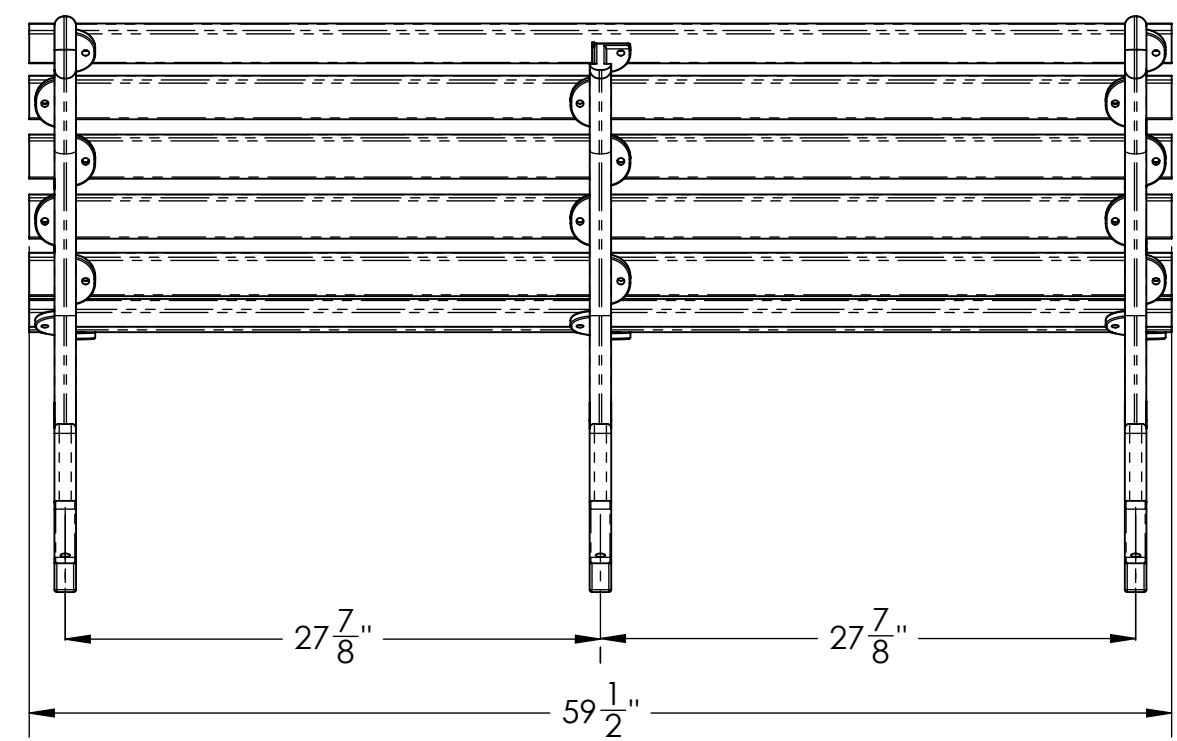
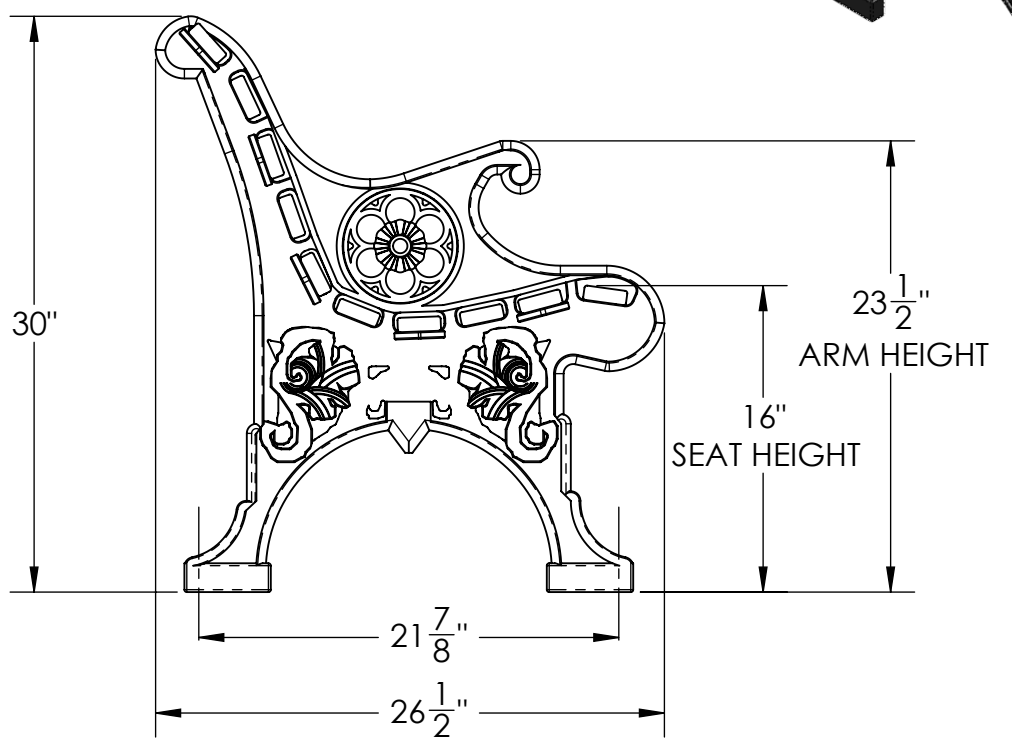
- **Material:** Cast aluminum poured in permanent molds
- **Finish:** Electro static powder coating
- **Color:** Black, White, Green, Tan, Dk. Brown, Dk. Green, Bronze and Blue.

PLASTIC RAILS

- **Material:** Polystyrene
- **Number of Rails:** 10
- **Finish:** Cedar or Redwood

HARDWARE

- **Carriage Bolts:** 1/4"-20 steel zinc plate, yellow dipped
- **Nuts:** 1/4" steel zinc plate



BOLT DOWN DETAIL

VICTORIAN and RENAISSANCE benches can be drilled for permanent attachment

