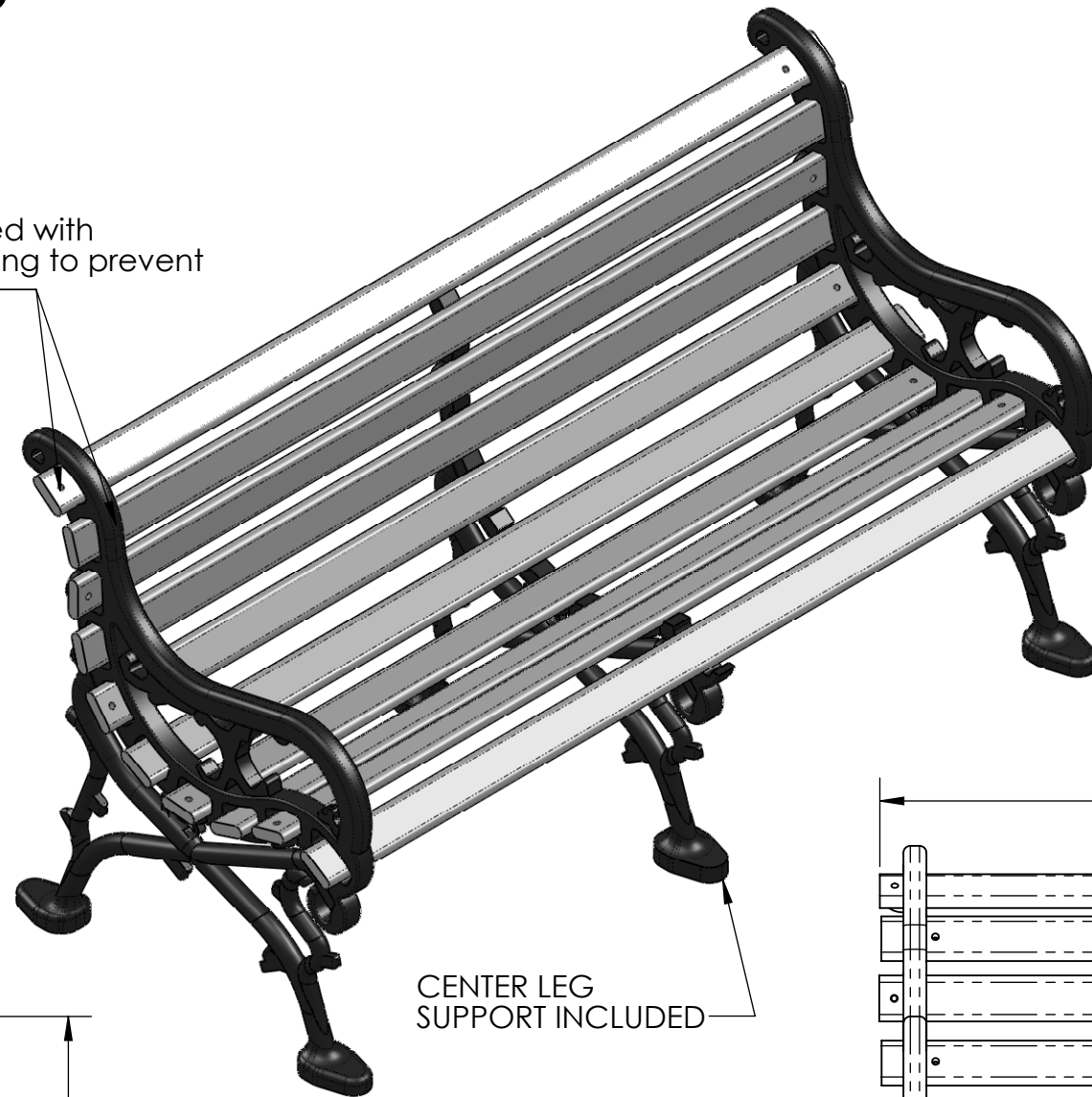
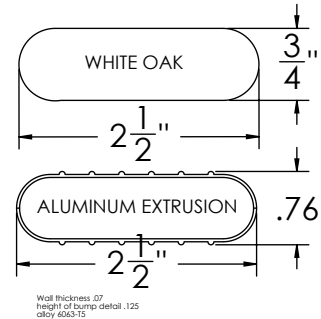
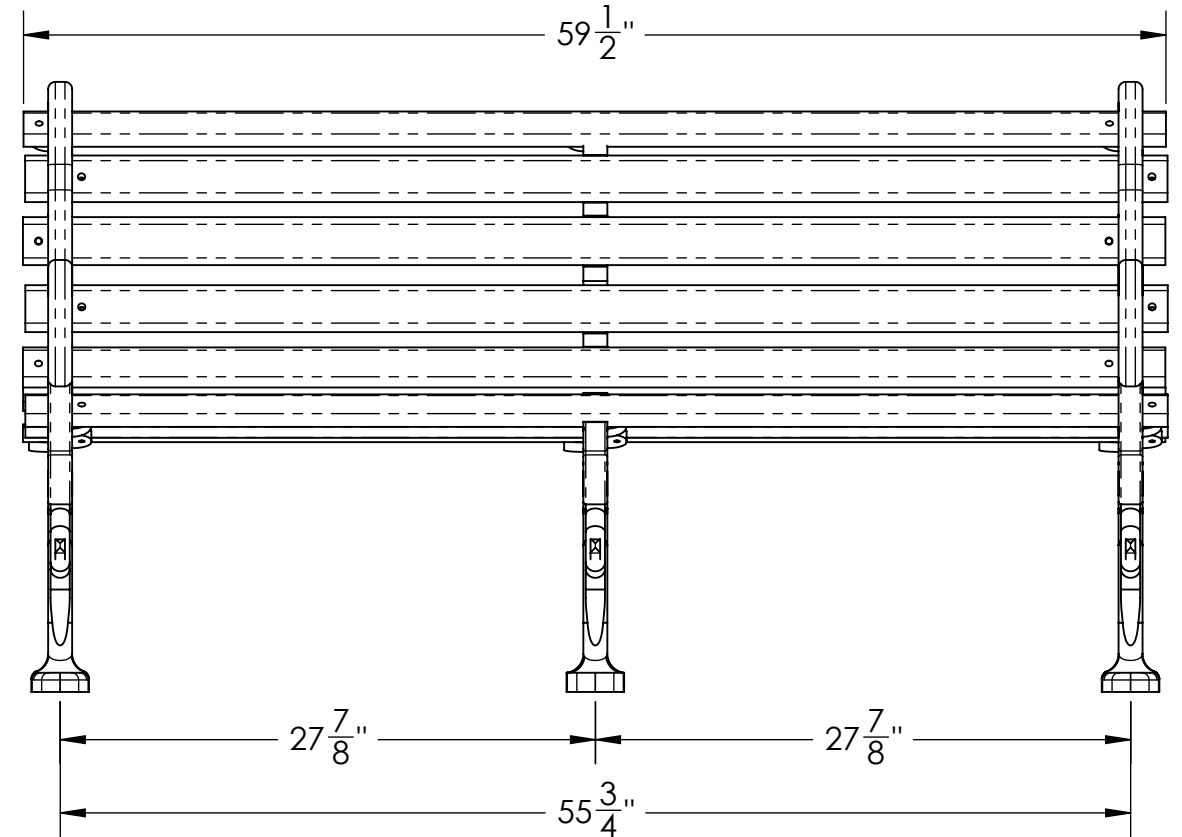
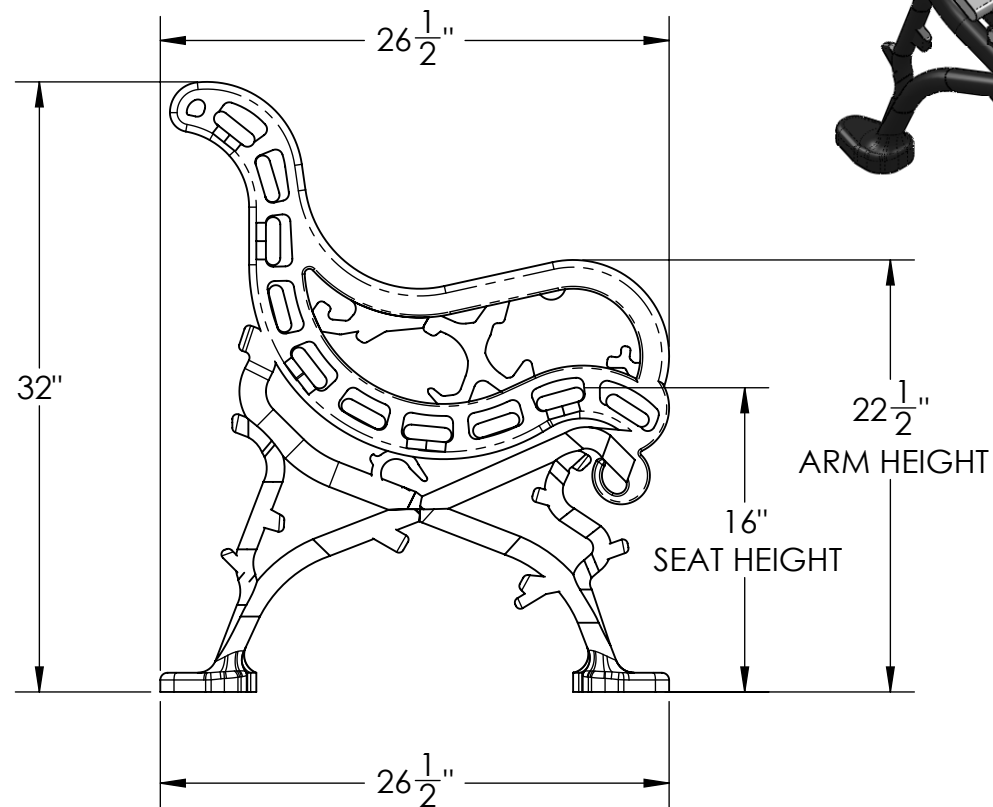


# WOODLAND BENCH - 60"

Engineered with cross-bolting to prevent end play



CENTER LEG SUPPORT INCLUDED



## FRAME

- **Material:** Cast aluminum poured in permanent molds
- **Finish:** Electro static powder coating
- **Color:** Black, White, Green, Tan, Dk. Brown, Dk. Green, Bronze and Blue.

## WOOD RAILS

- **Material:** FAS White Oak
- **Size:**  $2\frac{1}{2}$ " wide by  $\frac{3}{4}$ " milled two edges  $\frac{3}{4}$ " half round
- **Number of Rails:** 10
- **Finish:** PENOFIN® impact impregnated
- **Maintenance:** Apply PENOFIN® as necessary. Follow manufacture's instructions.

## HARDWARE

- **Carriage Bolts:**  $\frac{1}{4}$ "-20 steel zinc plate, yellow dipped
- **Nuts:**  $\frac{1}{4}$ " steel zinc plate