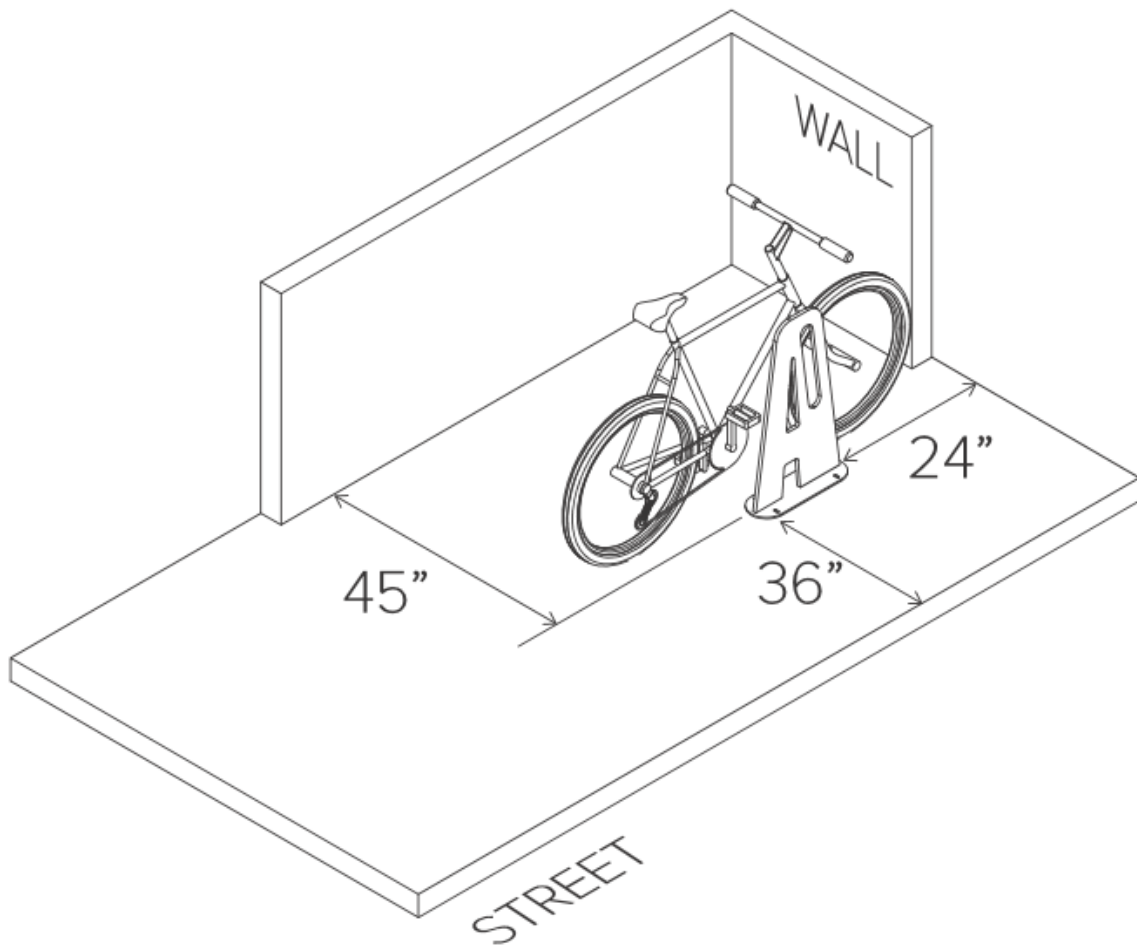




Type Rider - Bike Rack - Surface Mount

SKU:554br460

Setbacks



Installation Instructions

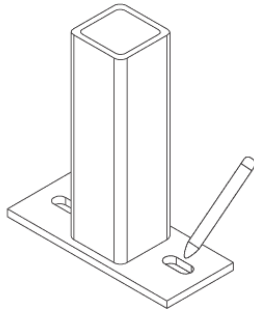
TOOLS NEEDED

Tape Measure
Marker or Pencil
Masonry Drill Bit
Drill (Hammer drill recommended)
Hammer
Wrench 9/16"
Level

RECOMMENDED BASE MATERIAL

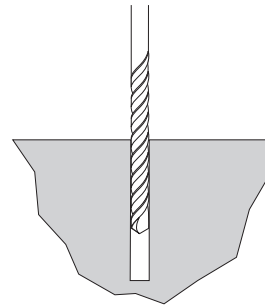
Solid concrete is the best base material for installation. To ensure the proper anchors are shipped with your rack, ask your representative which anchor is appropriate for your application. Be sure nothing is underneath the base material that could be damaged by drilling.

1



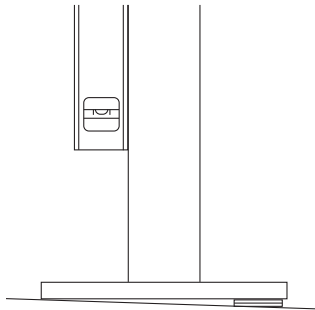
Place the rack in the desired location. Use a marker or pencil to outline the holes of the flange onto the base material.

2



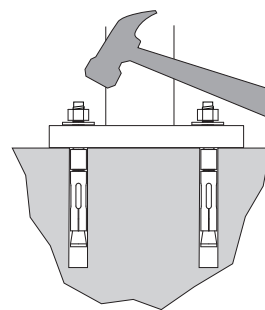
Drill 3/8" diameter holes 3" deep into surface. Make sure the holes are at least 3" away from any cracks in the base material.

3



Place rack (and washers to level rack if necessary) over holes.

4



Thread nuts onto anchors, leaving approximately 1/4" of the anchor protruding, and tap into surface. Tighten nuts down to secure rack.