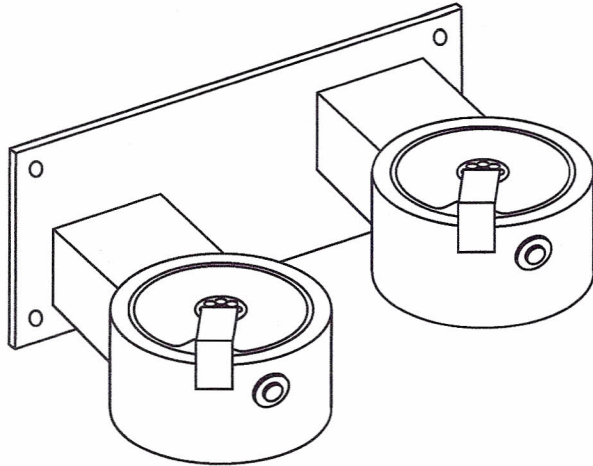
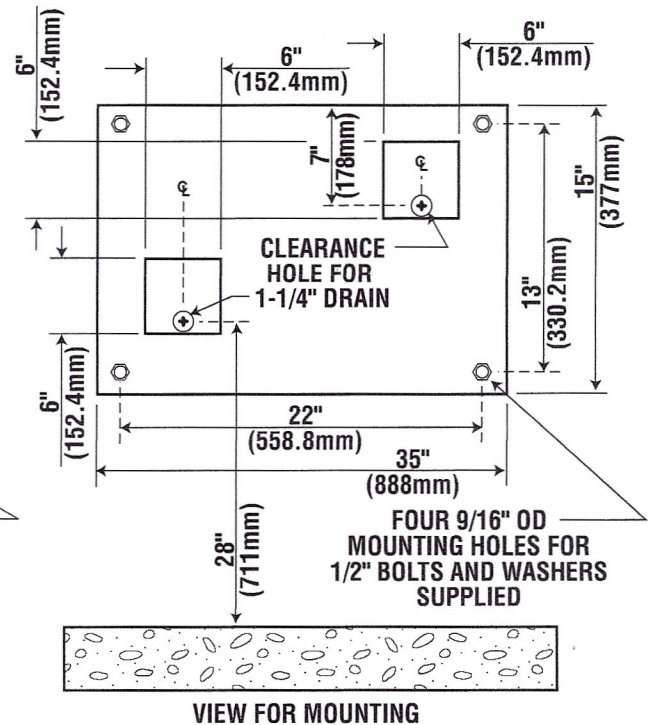
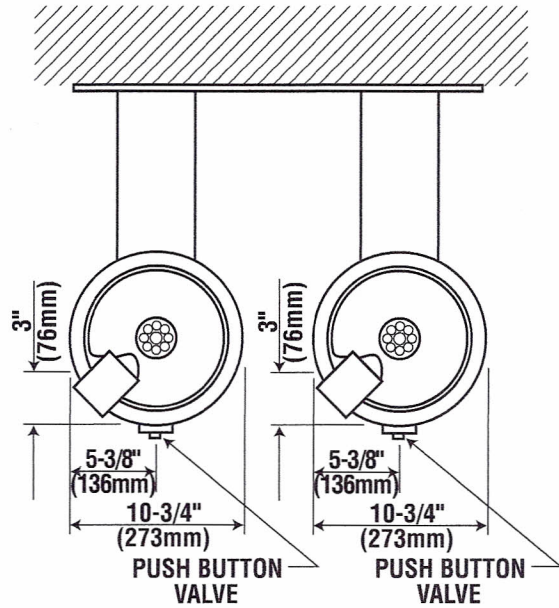
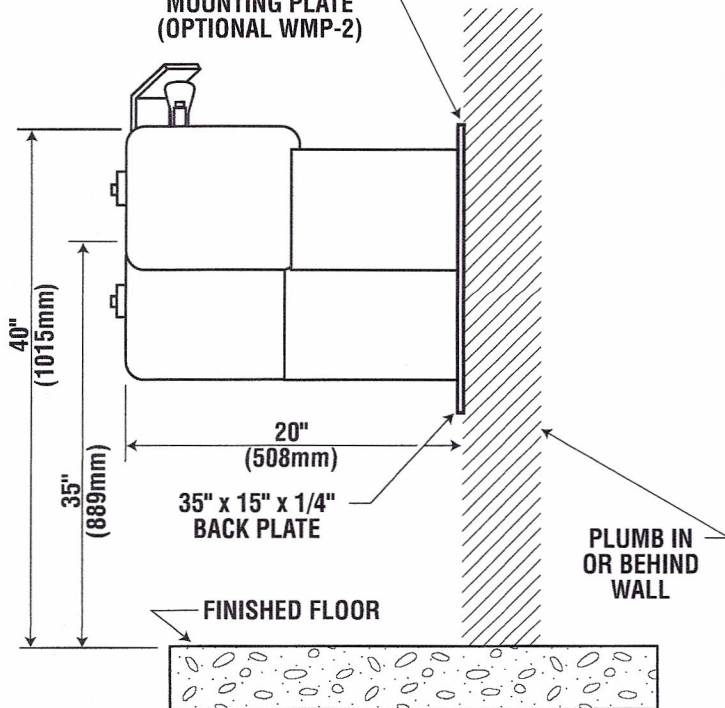


Barrier free, dual level drinking fountain
 Mounting: Wall Mount



30-1/2" x 15" x 1/4"
 MOUNTING PLATE
 (OPTIONAL WMP-2)



**NOTE: OPTIONAL FLOOR SUPPORT CARRIER
 FLWMP-2-FM IS AVAILABLE AND ADVISABLE
 FOR IN WALL INSTALLATION.**

NOTE: THESE ROUGH-IN DIMENSIONS
 MAY VARY 1/2: (13 mm) PLUS OR MINUS

Note: All dimensions subject to manufacturing variance of plus or minus 1/4" (6 MM).