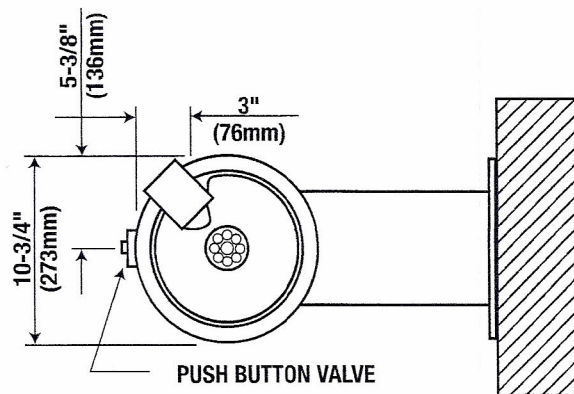
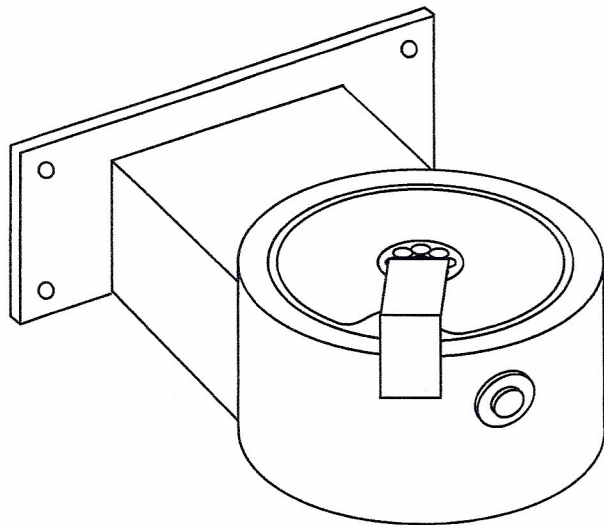
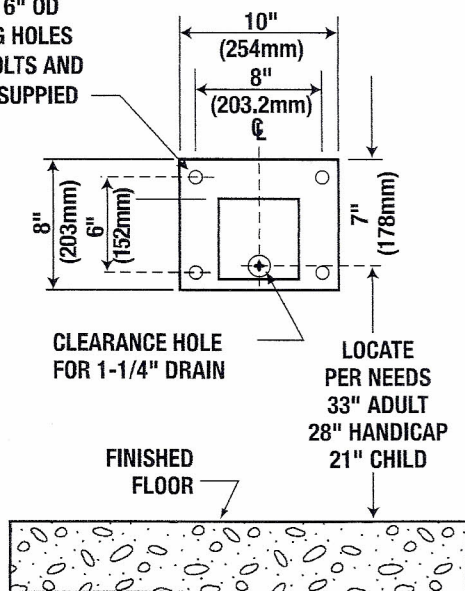


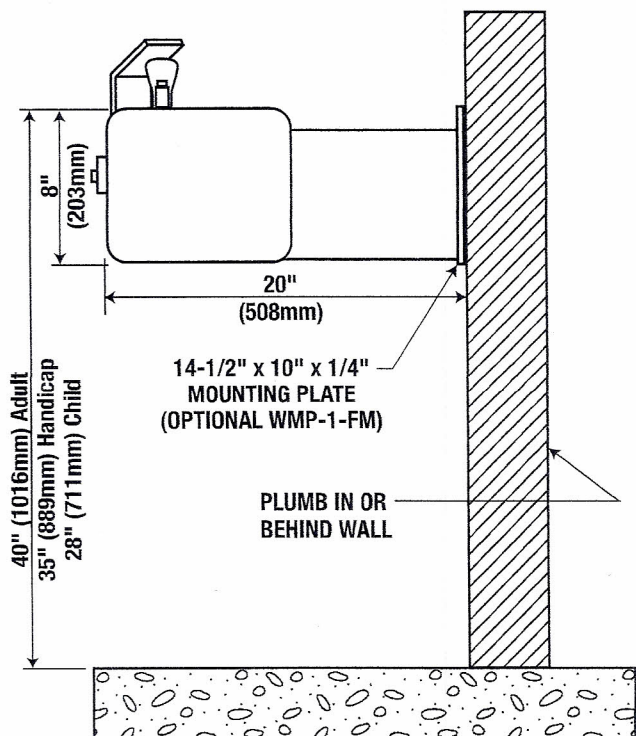
All-Purpose Drinking Fountain—Steel pipe
Mounting: Wall Mount



FOUR 9/16" OD
MOUNTING HOLES
FOR 1/2" BOLTS AND
WASHERS SUPPLIED



VIEW FOR MOUNTING



**NOTE: OPTIONAL FLOOR SUPPORT CARRIER
FLWMP-1-FM IS AVAILABLE AND ADVISABLE
FOR IN WALL INSTALLATION.**

NOTE: THESE ROUGH-IN DIMENSIONS
MAY VARY 1/2: (13 mm) PLUS OR MINUS

Note: All dimensions subject to manufacturing variance of plus or minus 1/4" (6 MM).