

Bike Trac



Overview:

The Bike Trac offers an easy, space-efficient way to store your bike. With full length trays, it protects your walls while also allowing freedom for mounting configurations including our Vertical and Stringer racks. The wide wheel trac accepts most tire sizes, making it the perfect solution for mounting any bike in your apartment, store, or garage.

Benefits:

- Pivoting lock bar allows optimized locking position on all bike frames and is shaped to prevent theft by use of a pipe cutter
- Full-length bike tracs protect walls and provide support for both front and rear wheels for greater stability
- Accommodates fat bike tires up to 5" wide
- Tracs can be staggered in height to limit handlebar interference between bikes
- Easy assembly, two-piece design allows for compact shipping



Bike Trac

Recommended Setbacks

Features:



Accommodates
1 bike



87" minimum ceiling
height;
93" recommended
ceiling height



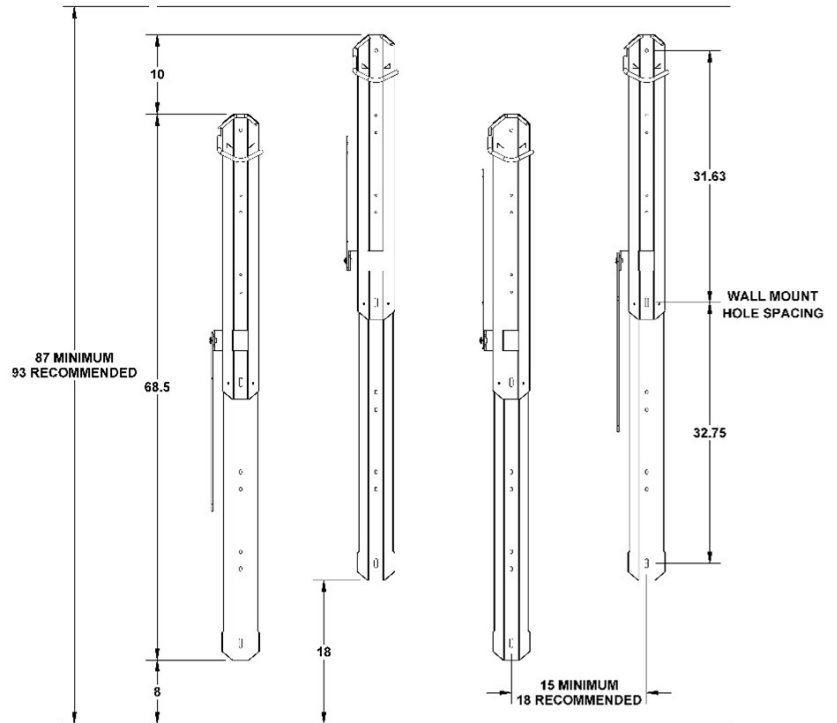
Powder coat finish
(black only)



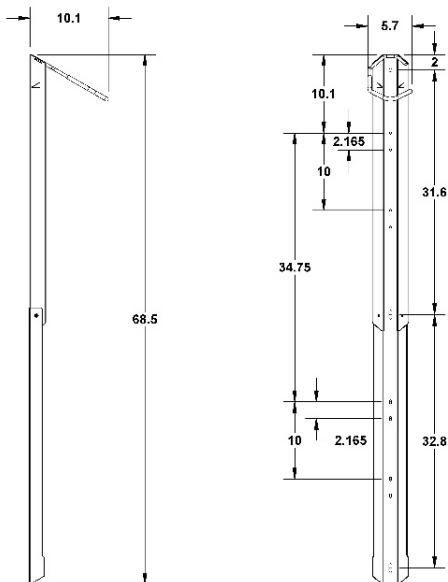
Recommended anchor
for concrete walls: 28879
All other surfaces
contact installer



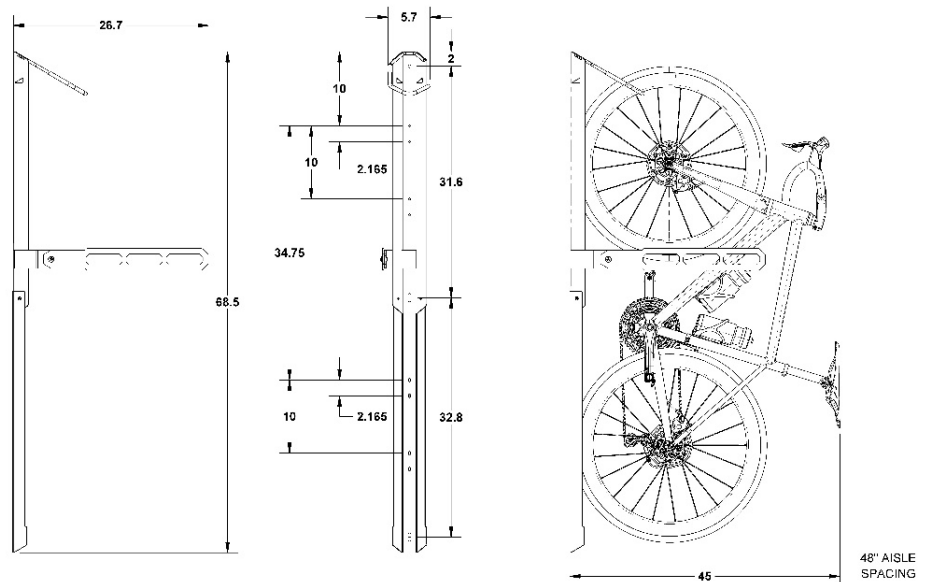
1 year
warranty



Non-locking (537br115-1):



Locking (537br115-2):



DIMENSIONS

Model #	Description	# Bikes	Length	Width
537br115-1	Non-Locking Bike Trac	1	68.5"	6.5"
537br115-2	Bike Trac w/ Lock Bar	1	68.5"	6.5"