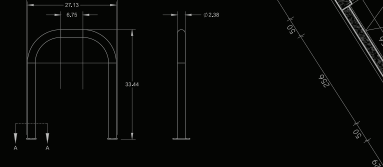
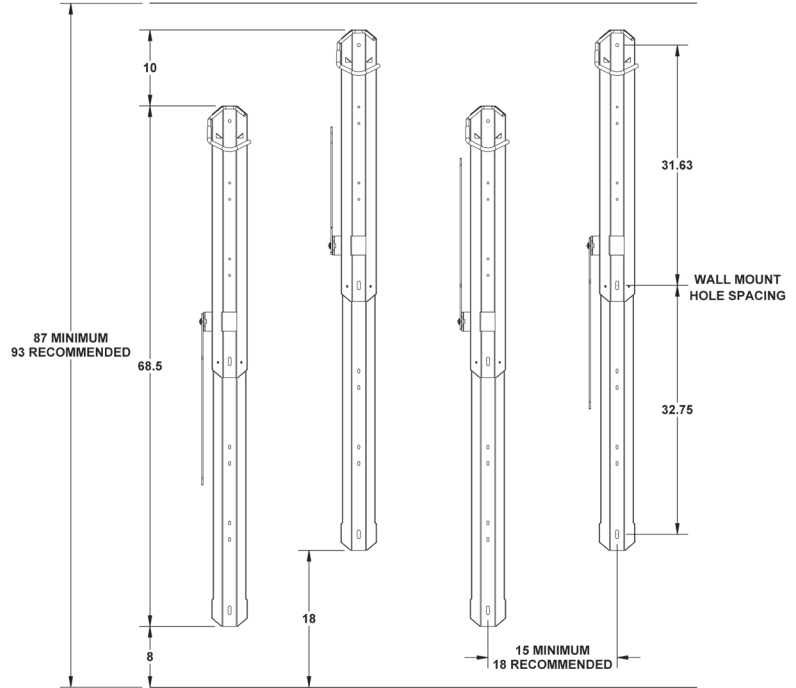
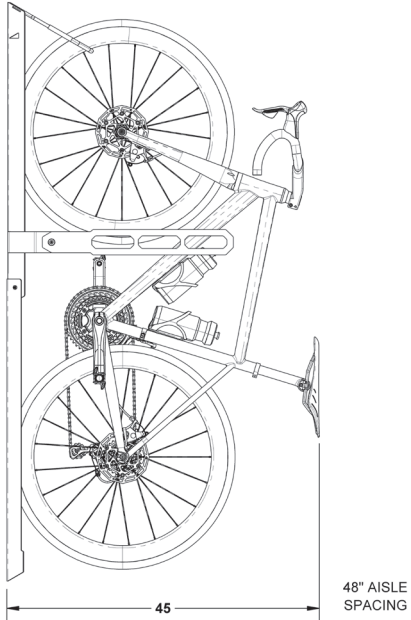


# Bike Trac

## Installation Guide



# Recommended Aisle Spacing and Setbacks

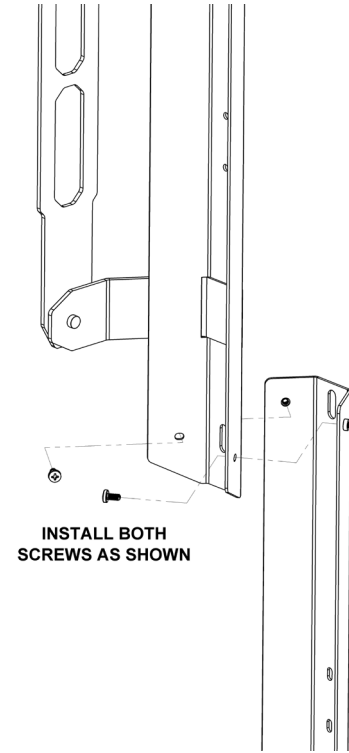


## Assembling Full Length Trays

The Bike Trac can be mounted with the single, upper portion of the tray on its own or with the lower half connected for greater bike stability and wall protection.

To connect the two halves, align the top of the lower section behind the bottom of the upper section. The slots on the side channels of the upper tray should align with the threaded inserts on the lower tray.

Fasten the trays together with a screw in both locations and fully tighten using a Philips screwdriver.



## Mounting Your Bike Trac

The Bike Trac can be mounted to any wall, corner, pillar, or post strong enough to hold the bikes.

Mounting hardware is not supplied. Before mounting to any surface, consult your local hardware store for applicable hardware. Mounting of the Bike Trac to a solid surface is critical and beyond the control of the manufacturer.



# WARRANTY

WARNING: Manufacturer and seller expressly disclaim any and all liability for personal injury, property damage or loss, whether direct, indirect, or incidental, resulting from the incorrect attachment or inappropriate placement, improper use, inadequate maintenance, or neglect of this product. Placement of this product is beyond control of the manufacturer. It is the end users responsibility to place this product so as to avoid potential pedestrian or playground accidents.

WARRANTY: We warrant this product to the first consumer to be free from defect in material and workmanship for a period of one year from date of purchase. Please retain your sales slip for your records. Any product or part thereof found to be defective within that period will be replaced without charge provided that: (1) the product was not misused; (2) no alterations or modifications were made; (3) its failure resulted from a defect in material or workmanship and not from normal wear expected in the use of the product; (4) the product or part is delivered, freight prepaid, to Park Warehouse. Manufacturer's only obligation shall be to replace such products or parts proved to be defective.

10/25

