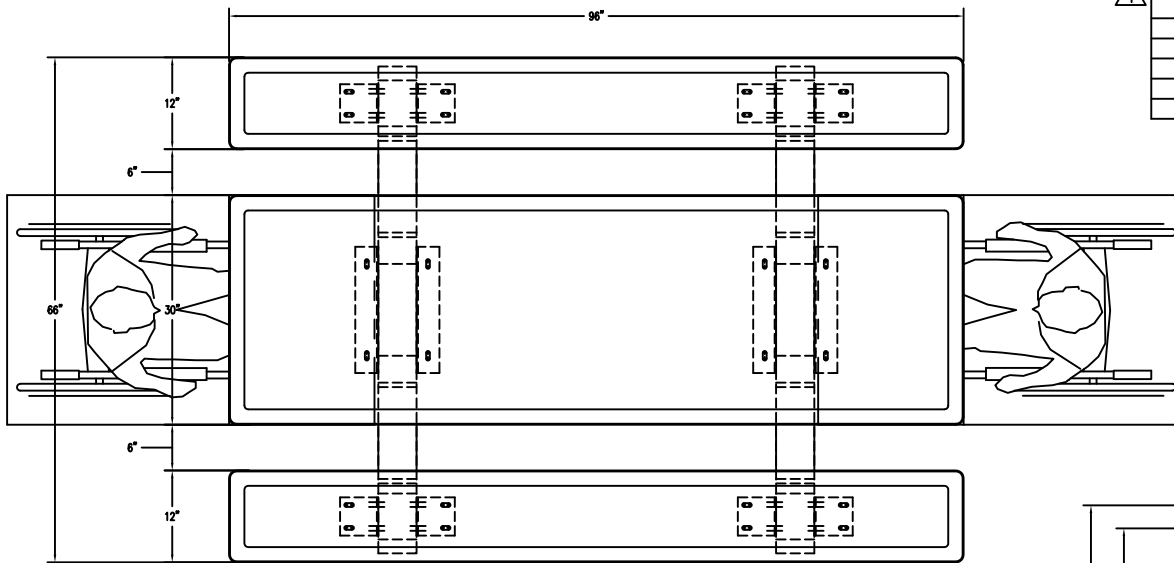


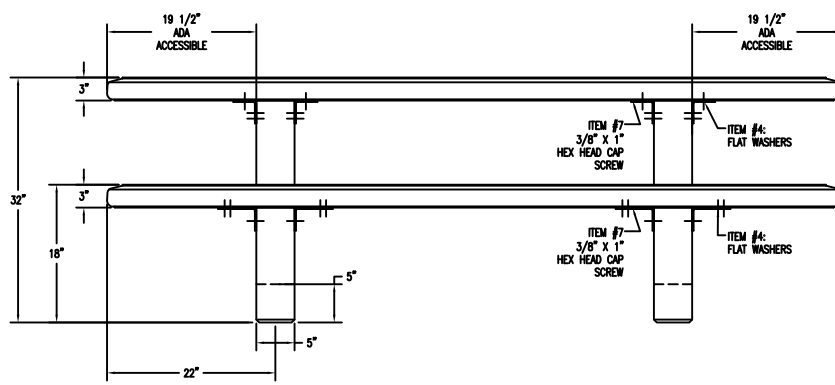
BOLT KIT: TF3155

ITEM NO.	DESCRIPTION	WT.	PART NO.	QTY.
1	CAST TABLE TOP 96" X 30"	750 LBS	TF3559	1
2	CAST SEAT TOP 96" X 12"	300 LBS	TF3560	2
3	CAST LEGS	215 LBS	TF3631	2
4	3/8" X 7/8" FLAT WASHERS, ZINC		PP11069	48
5	3" X 5" SEAT-TO-LEG BRACKETS 3/16" THICK	5 LBS	700926	8
6	3" X 3" TABLE-TO-LEG BRACKETS 3/16" THICK	2 LBS	700925	4
7	3/8"-16 X 1" HEX HEAD CAP SCREW, ZINC		RM10449	24
8	3/8"-16 X 6 1/2" HEX HEAD CAP SCREW, ZINC		400204	12
9	3/8-16 NYLON INSERT LOCK NUT		PP10049	12

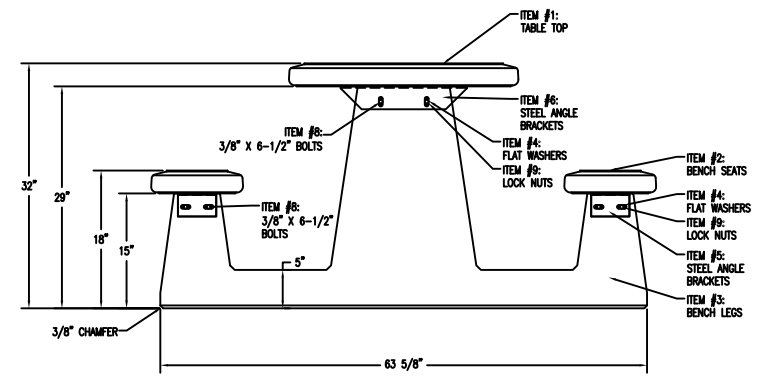


1 PLAN VIEW - TABLE SET
Scale: 1/8" = 1"

BOTH TABLE ENDS ARE
ADA COMPLIANT BY FEDERAL REGULATIONS



2 ELEVATION VIEW - TABLE SET
Scale: 1/8" = 1"



3 SIDE ELEVATION VIEW - TABLE SET
Scale: 1/8" = 1"

SIGN BELOW IF DRAWINGS ARE
APPROVED W/ MARKED CHANGES

APPROVED: _____

DATE: _____

(SIGNATURE ABOVE ILLUSTRATES ACCEPTANCE OF DIMENSIONS SHOWN.)

PROPRIETARY AND CONFIDENTIAL
THE INFORMATION CONTAINED IN THIS
DRAWING IS THE SOLE PROPERTY OF
Park Warehouse, LLC. 5301 North
Federal Highway, Suite 140, Boca Raton,
FL. ANY REPRODUCTION IN PART OR
AS A WHOLE WITHOUT THE WRITTEN
PERMISSION OF Park Warehouse, LLC,
5301 North Federal Highway, Suite 140,
Boca Raton, FL. IS PROHIBITED.