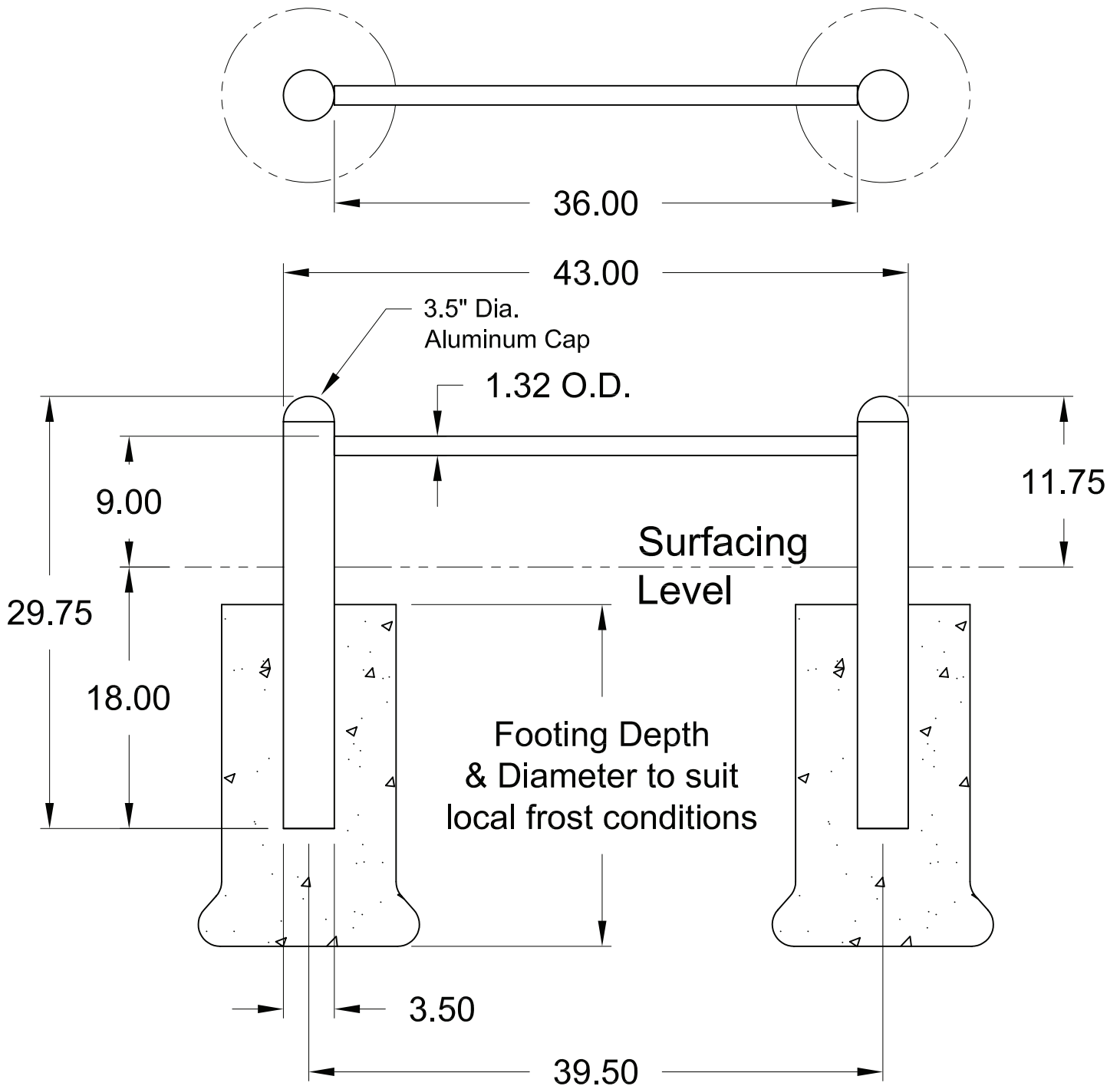


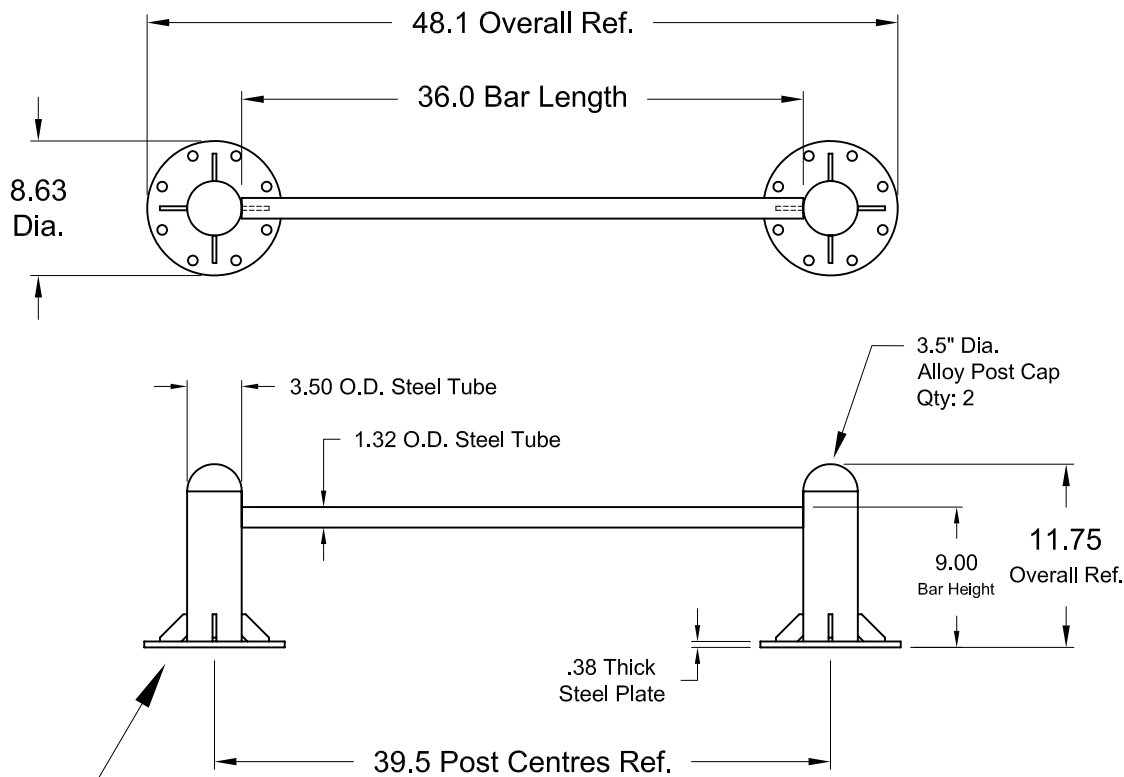


Push-Up Bar
SKU: N0Jft225



NOTE: Dimensions shown in inches

Push-Up Bar



Suggested Anchoring Hardware for Mounting Plates:
7/16" to 1/2" diameter x 3" long, expanding wedge bolts,
4 per plate required (8 total).

Notes: Use the fully assembled unit as a drill template.

Anchoring hardware is not included as it is impossible to foresee all possible mounting surface conditions. Therefore, anchoring hardware "Types" only are suggested for a typical concrete pad. The concrete should be fully cured and 3 to 4 inches thick.

Safety Surfacing Zone: The operational height of this item is too low to require resilient safety surfacing to protect from a fall (as per ASTM/CSA Standards). However, you may choose to utilize a clearance/use zone of approximately 6' all around the item.

Dimensions shown are in inches.

All specifications subject to change or improvement.