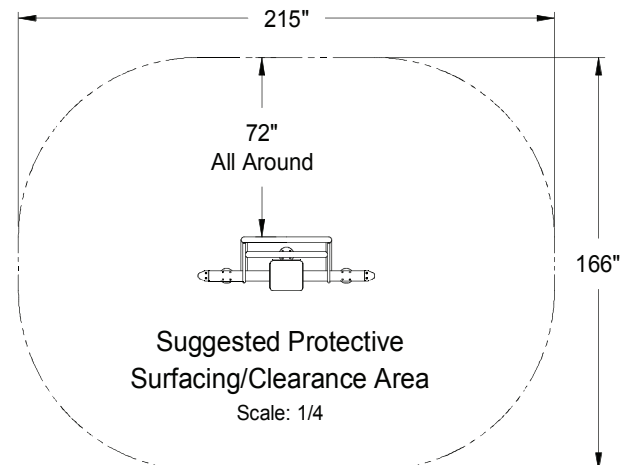
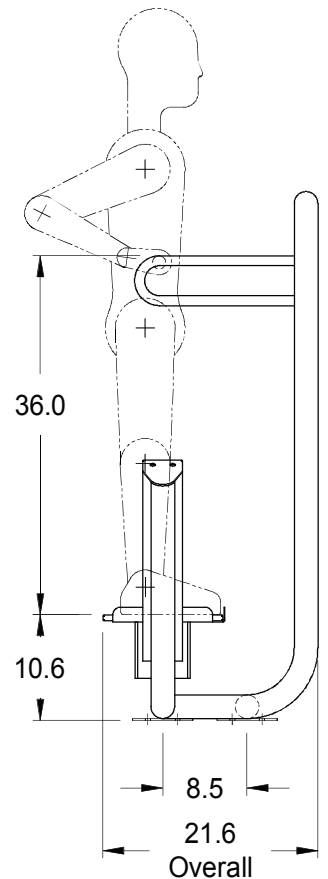
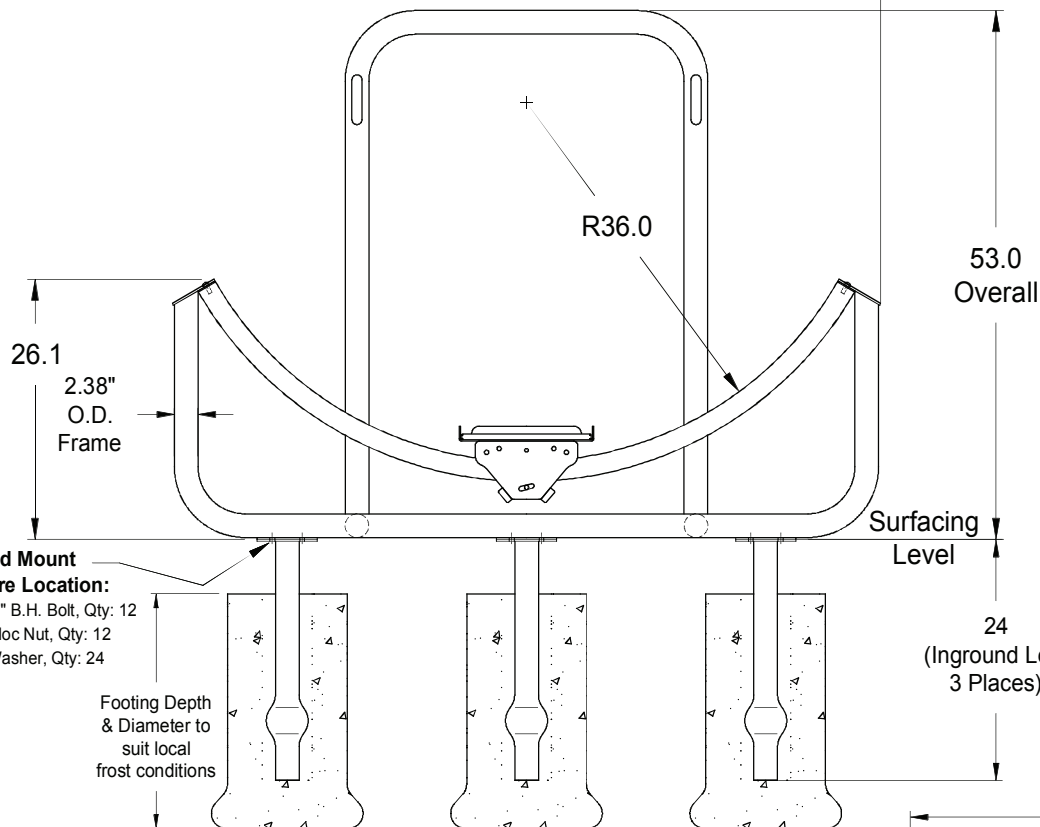
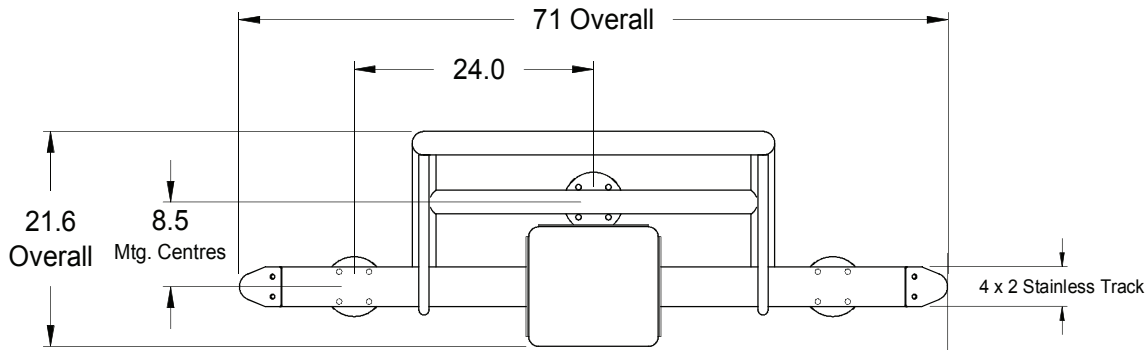




Roller Fit Pendulum- Single

SKU: N0Jft205



Surface Mounting Notes:

For Surface Mounting version the Inground Legs are omitted. Anchoring hardware is not included as it is impossible to foresee all possible mounting surface conditions. Therefore, anchoring hardware "Types" only are suggested for a typical concrete pad. The concrete should be fully cured and a minimum of 3-1/2 inches thick to properly anchor this product.

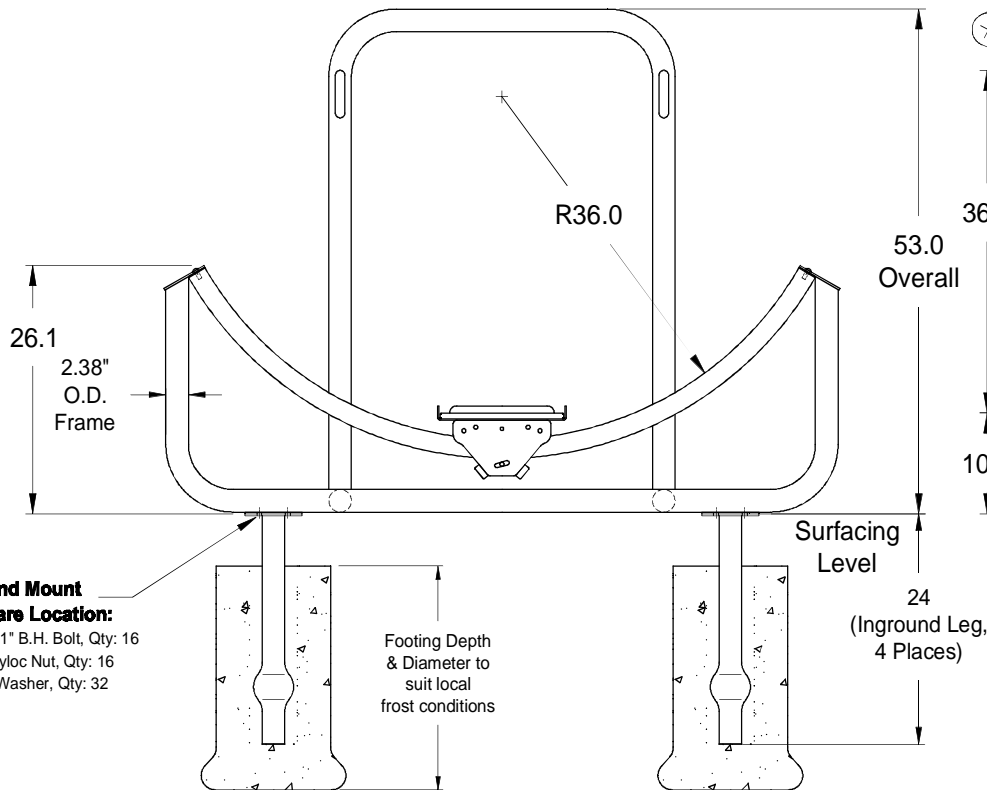
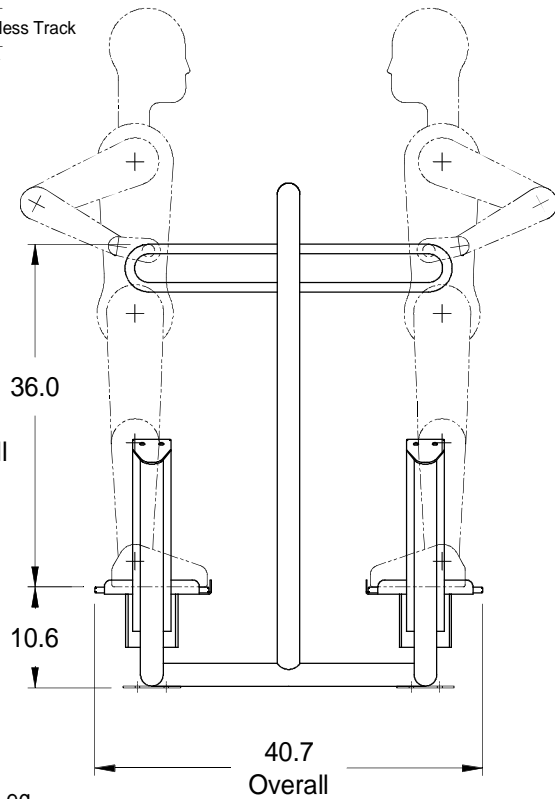
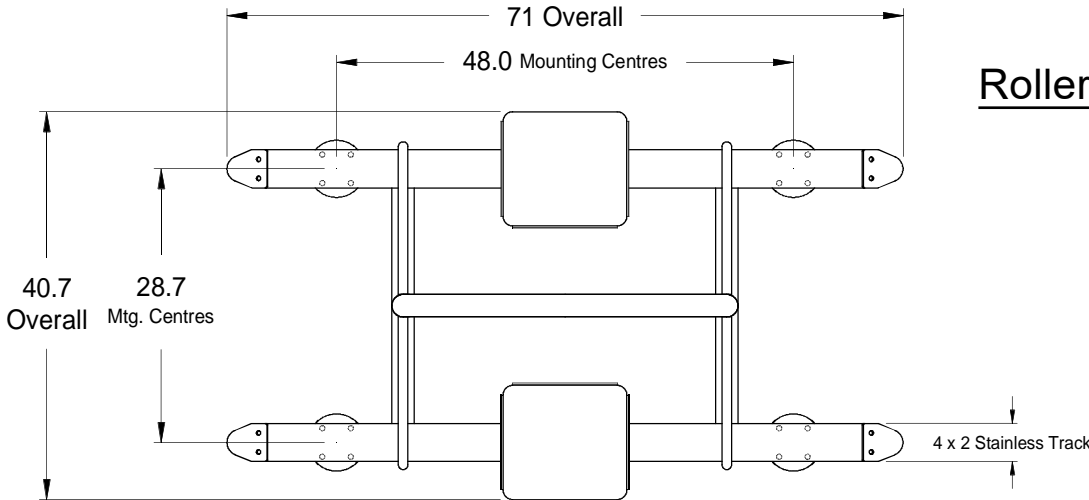
Suggested Surface Mounting Anchoring Hardware:

7/16" to 1/2" diameter x 3" long, expanding wedge bolts, 6 minimum (12 maximum) required.
 Note: The actual 78001006 assembly should be used as a template to locate the anchor holes.



Roller Fit Pendulum- 2 Person

SKU: N0Jft210



Inground Mount Hardware Location:
3/8-16 x 1" B.H. Bolt, Qty: 16
3/8-16 Nyloc Nut, Qty: 16
3/8 Flat Washer, Qty: 32

Footing Depth & Diameter to suit local frost conditions

Surface Mounting Notes:

For Surface Mounting version the Inground Legs are omitted. Anchoring hardware is not included as it is impossible to foresee all possible mounting surface conditions. Therefore, anchoring hardware "Types" only are suggested for a typical concrete pad. The concrete should be fully cured and a minimum of 3-1/2 inches thick to properly anchor this product.

Suggested Surface Mounting Anchoring Hardware:

7/16" to 1/2" diameter x 3" long, expanding wedge bolts, 8 minimum (16 maximum) required.

Note: The actual 78001007 assembly should be used as a template to locate the anchor holes.

