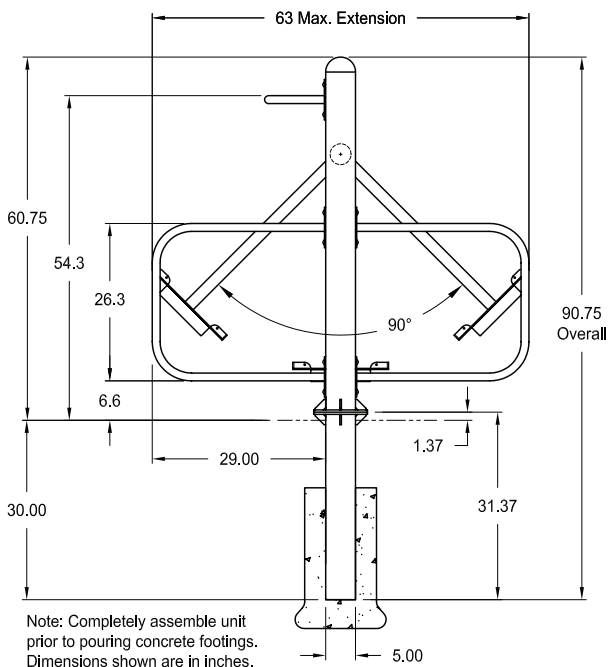
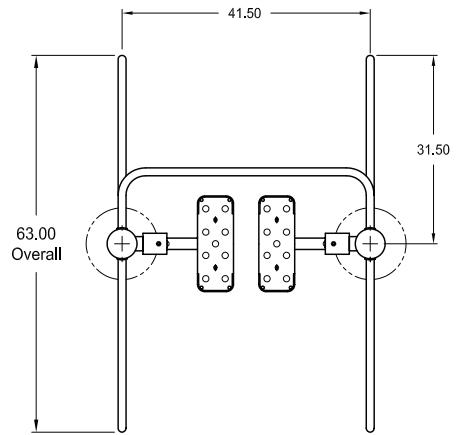
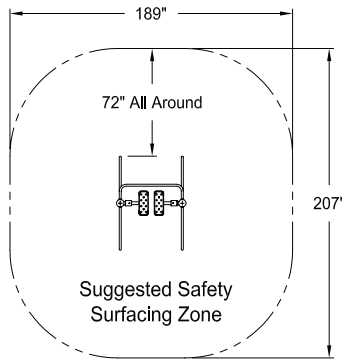




1-Person Air Walker

SKU: N0Jft200

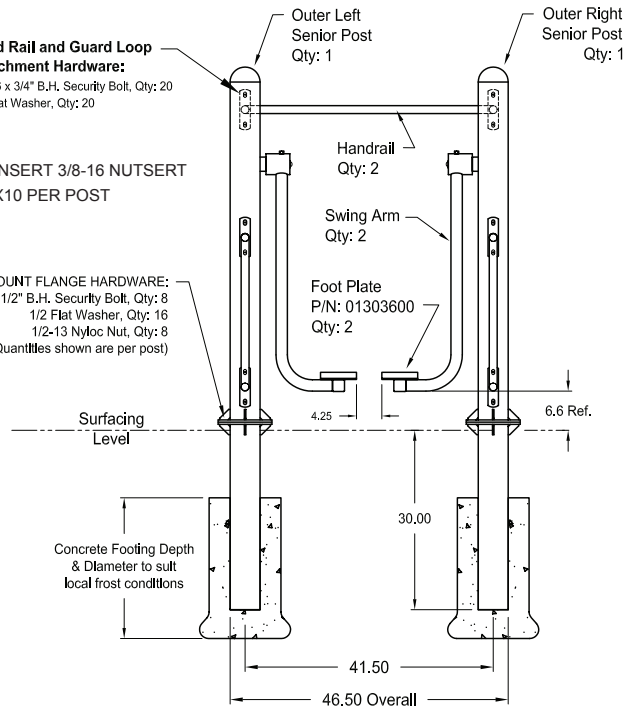


Hand Rail and Guard Loop Attachment Hardware:

3/8-16 x 3/4" B.H. Security Bolt, Qty: 20
3/8 Flat Washer, Qty: 20

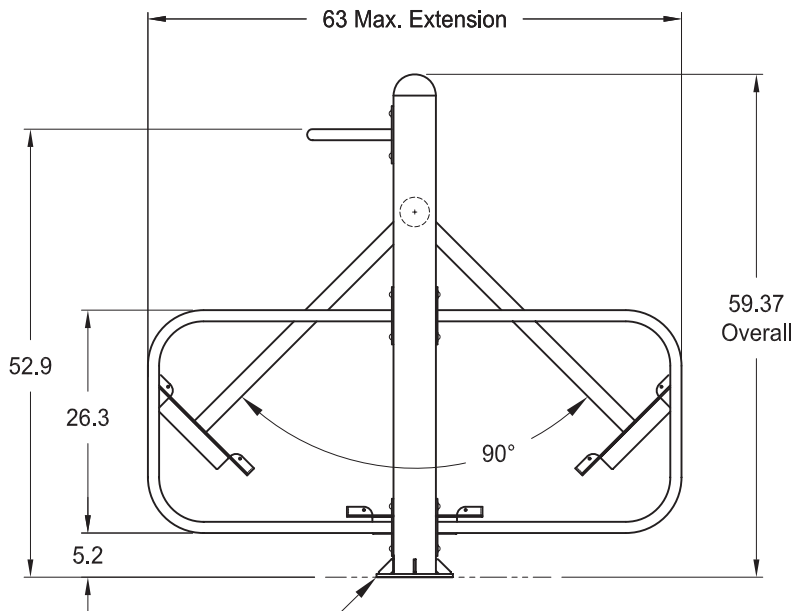
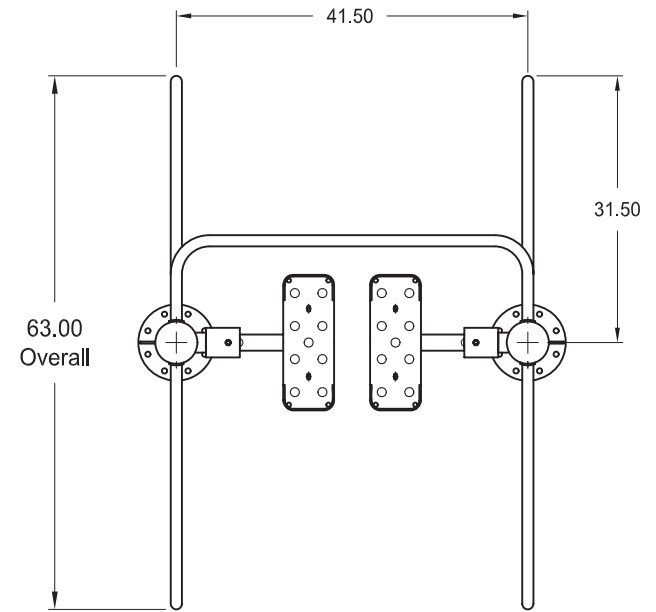
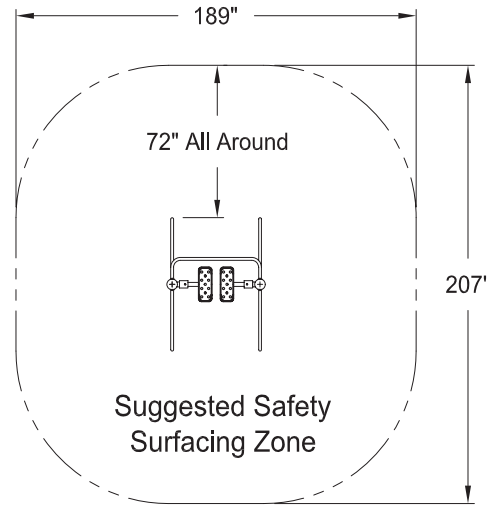
A INSERT 3/8-16 NUTSERT X10 PER POST

SURFACE MOUNT FLANGE HARDWARE:
1/2-13 X 1-1/2" B.H. Security Bolt, Qty: 8
1/2 Flat Washer, Qty: 16
1/2-13 Nyloc Nut, Qty: 8
(Quantities shown are per post)



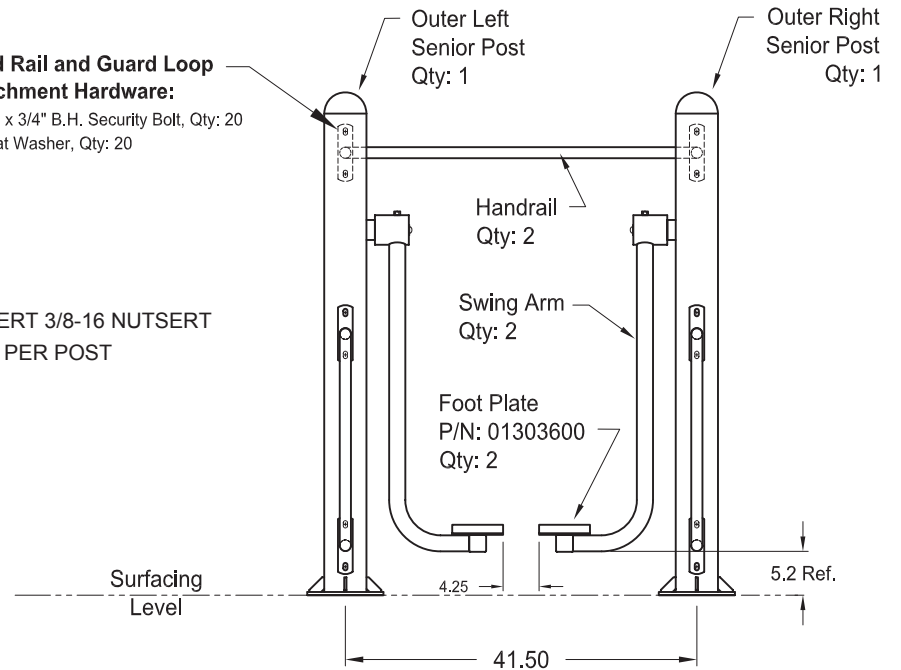
Note: Completely assemble unit prior to pouring concrete footings. Dimensions shown are in inches.

1-Person Air Walker



Hand Rail and Guard Loop Attachment Hardware:
 3/8-16 x 3/4" B.H. Security Bolt, Qty: 20
 3/8 Flat Washer, Qty: 20

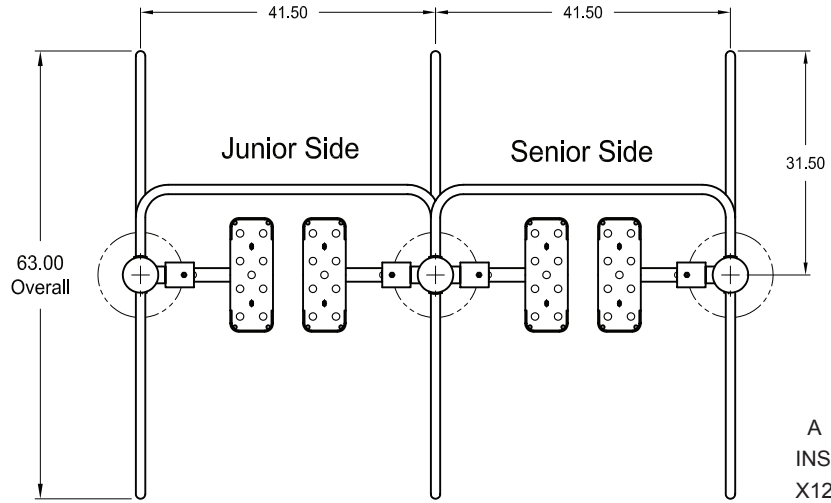
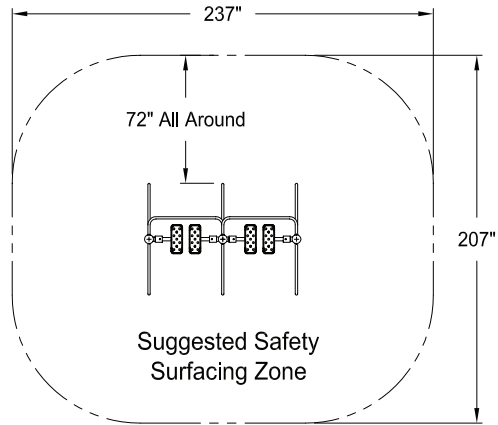
A
 INSERT 3/8-16 NUTSERT
 X10 PER POST



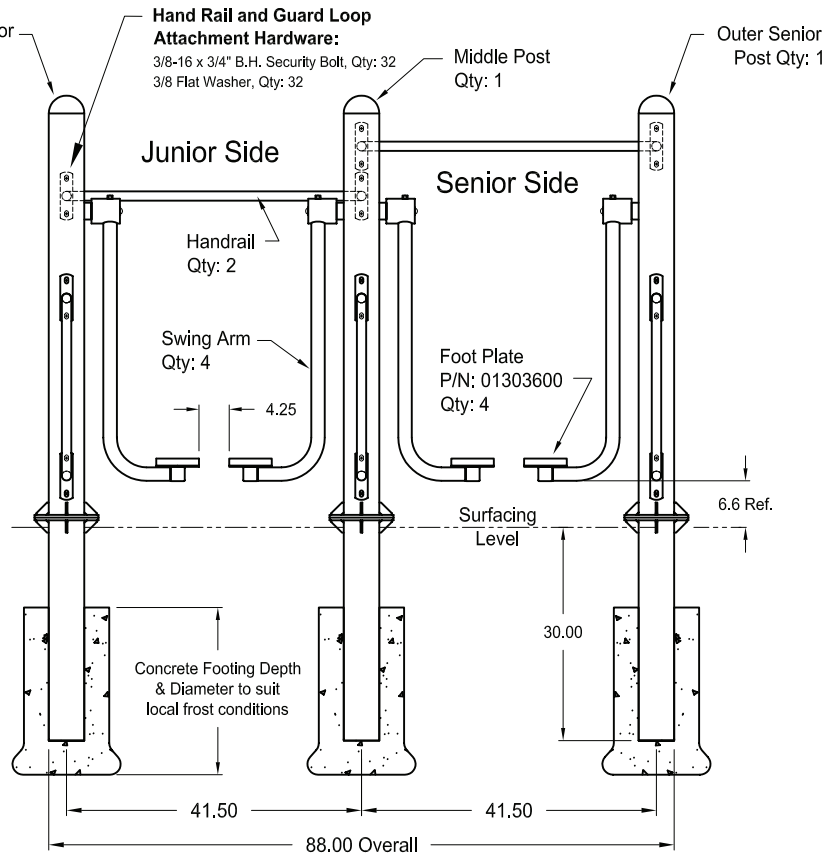
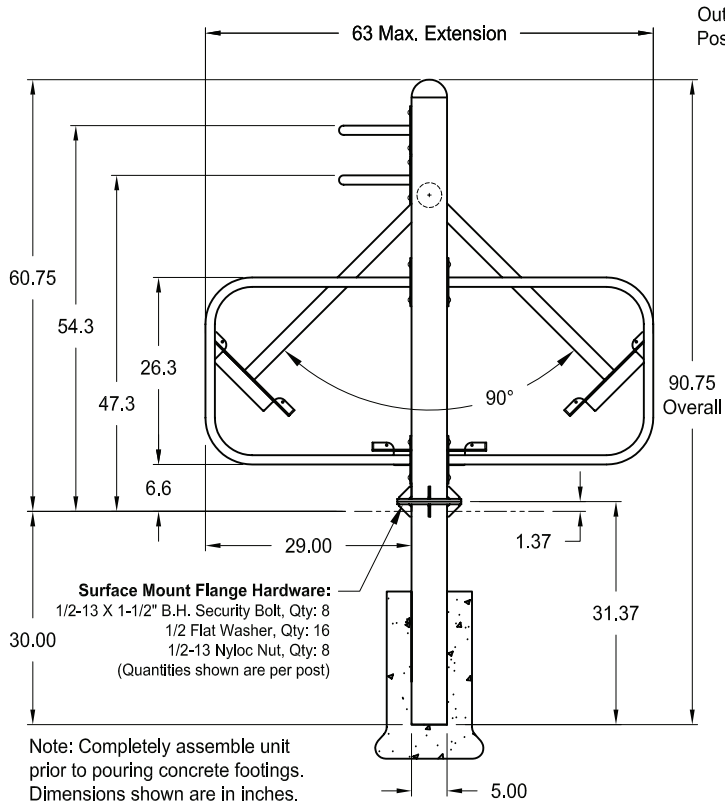
Suggested Anchoring Hardware for Centre Plate:
 1/2" to 5/8" diameter x 4" long expanding wedge bolts,
 8 required.

Note: Anchoring is not included as it is impossible to foresee all possible mounting surface conditions. Therefore, anchoring hardware "Types" only are suggested for a typical concrete pad. The concrete should be fully cured and 4 to 6 inches thick.

2-Person Air Walker



A
INSERT 3/8-16 NUTSERT
X12





2-Person Air Walker

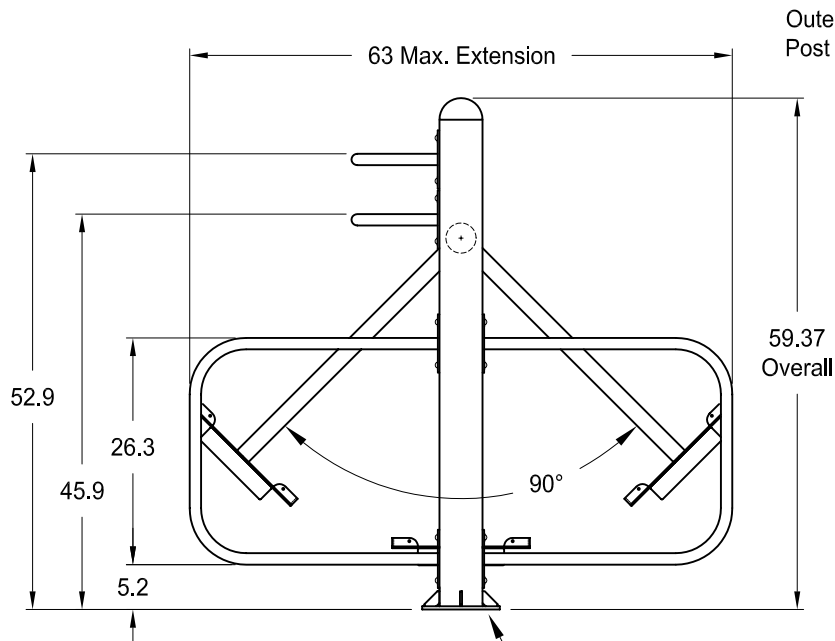
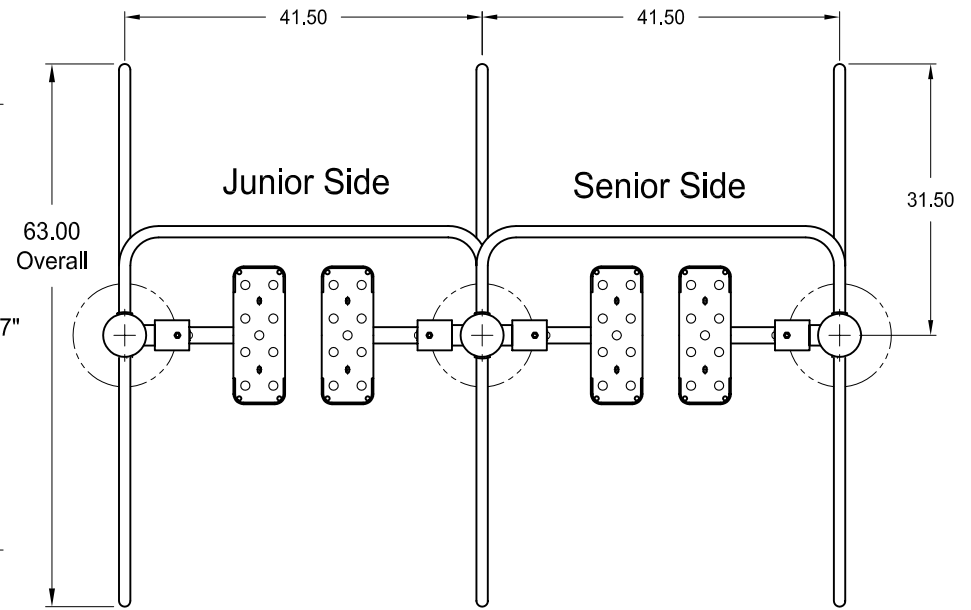
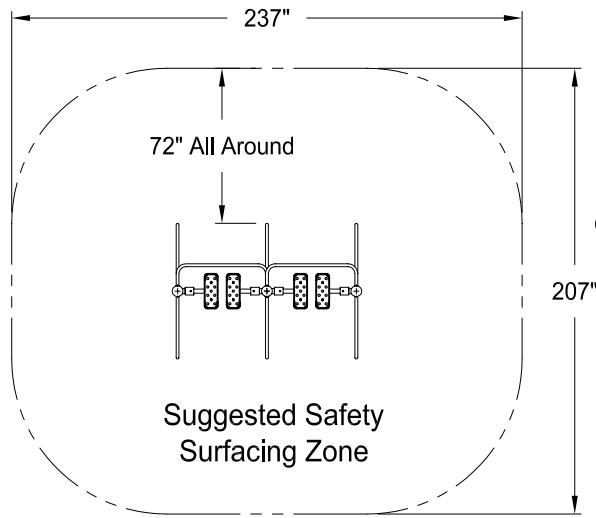
SKU: N0Jft195

Materials:

- 11 Ga. Steel Plate
- 7 Ga. Steel Plate
- 1/4" Steel Gusset Plates
- 3/8" Steel Base Plates
- 14 Ga. Sheet Steel
- 1.32" O.D. x .109" Wall Steel Tube
- 1.90" O.D. x .095" Wall Steel Tube
- 3.50" O.D. x .250" Wall Steel Tube
- 5.00" O.D. x .188" Wall Steel Tube
- 2.38" Dia. CR Steel Main Pivot Shaft
- Heavy Duty Sealed Metal Ball Bearings
- Aluminum End Caps

Finish: Polyester Powder Top Coat over E-Coated Substrate.

Hardware: Tamper Resistant Stainless Steel



Suggested Anchoring Hardware for Centre Plate:

1/2" to 5/8" diameter x 4" long expanding wedge bolts, 4 Min. per Post (8 Max. per Post)

