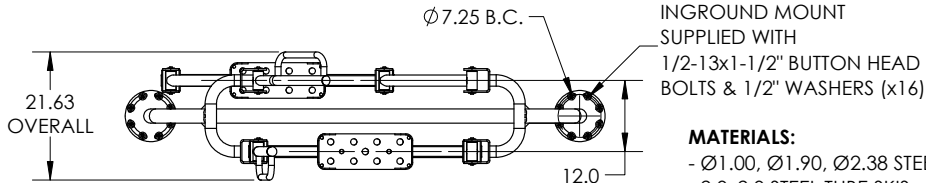


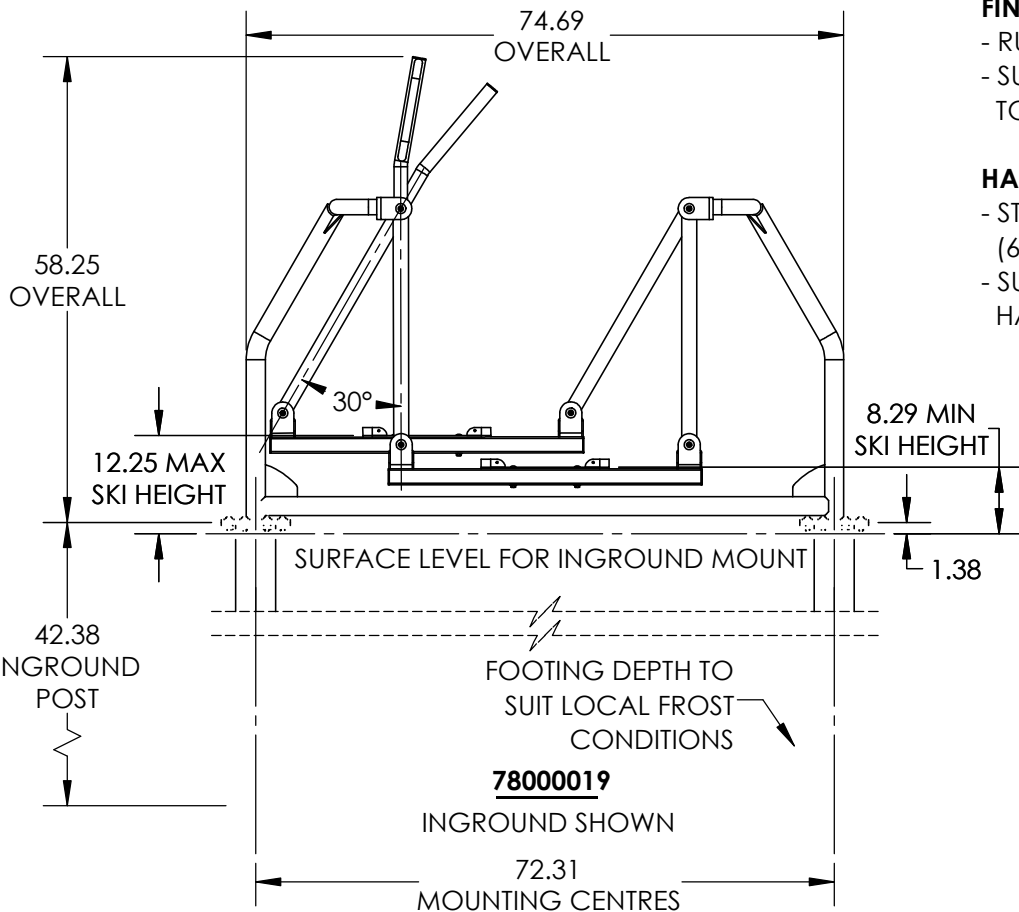


Cross Country Skier

SKU: N0Jft185



SHOWN
SURFACE MOUNT



FINISH SPECIFICATIONS:

- RUST PREVENTATIVE PRIMER COATING
- SUPER DURABLE POLYESTER POWDER TOP COAT

HARDWARE:

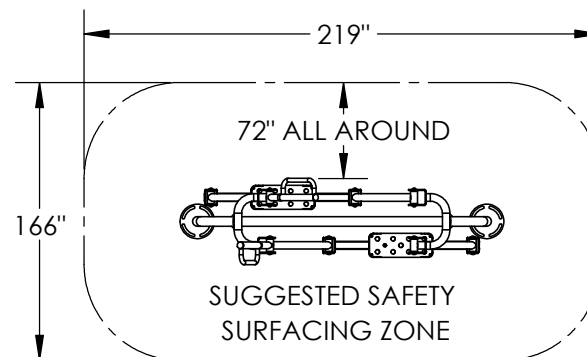
- STAINLESS STEEL, SECURITY DRIVE (6 LOBE, CENTRE PINNED)
- SURFACE MOUNT ANCHORING HARDWARE NOT INCLUDED

NOTES:

- ANCHORING HARDWARE 'TYPES' ARE SUGGESTED FOR A TYPICAL CONCRETE PAD, FULLY CURED & MINIMUM 3-1/2" THICK.

SURFACE MOUNT SUGGESTED HARDWARE:

- Ø7/16" TO Ø1/2" x 3" LONG EXPANDING WEDGE BOLTS & WASHERS (8 REQUIRED MINIMUM, 16 MAXIMUM)
- ACTUAL APPARATUS SHOULD BE USED AS A TEMPLATE TO LOCATE HOLES.



TYPICAL PIVOT POINT ASSEMBLY

