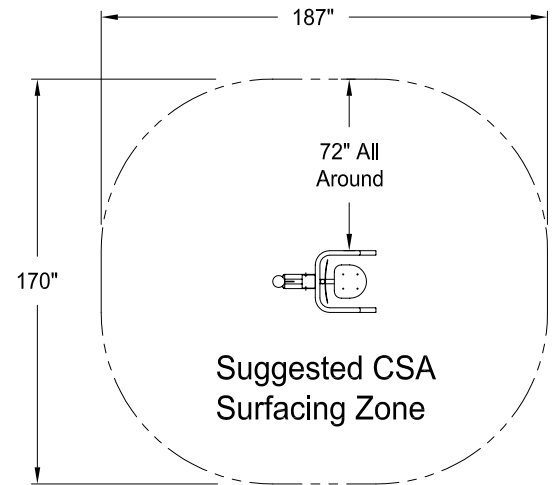
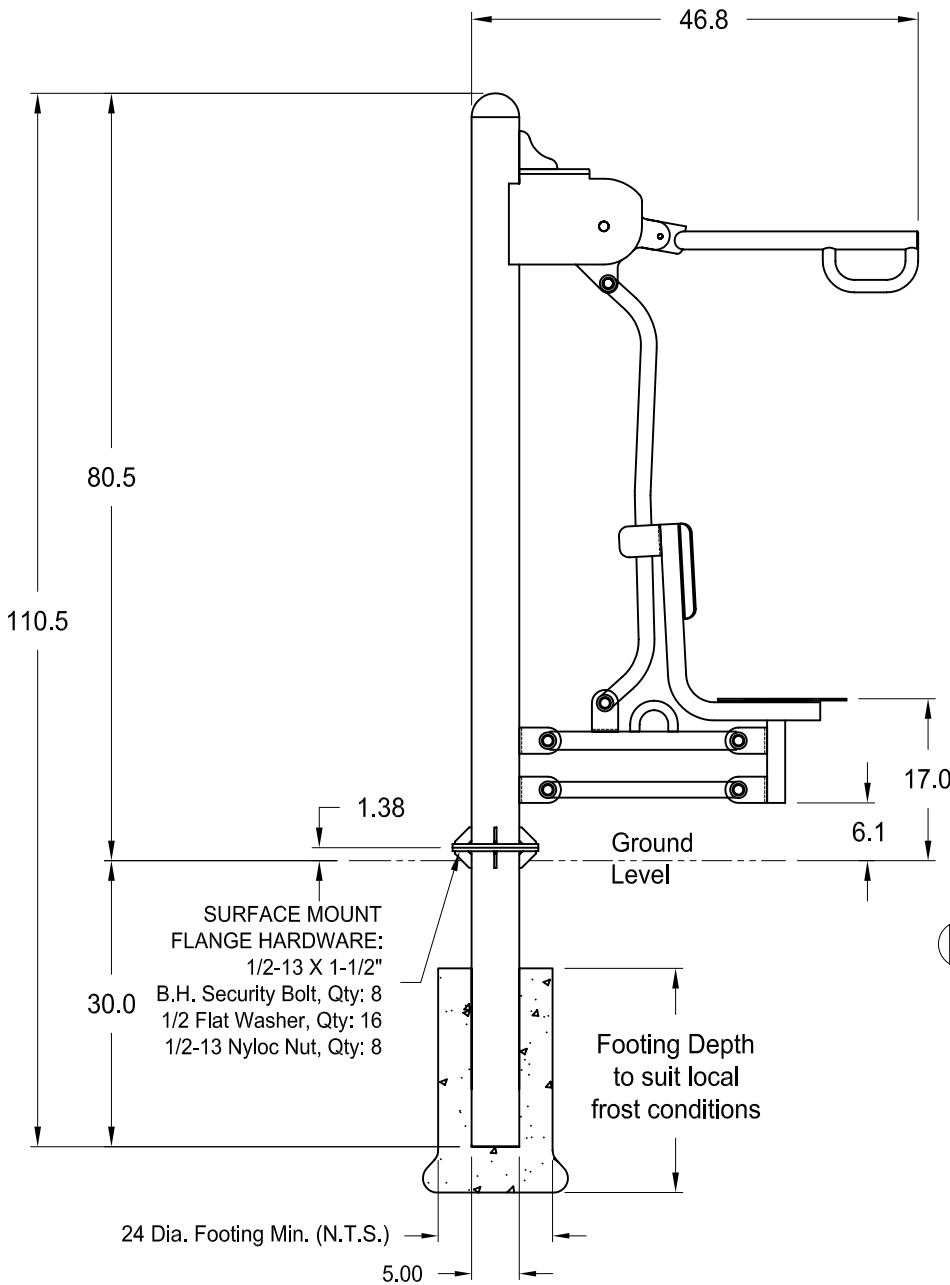
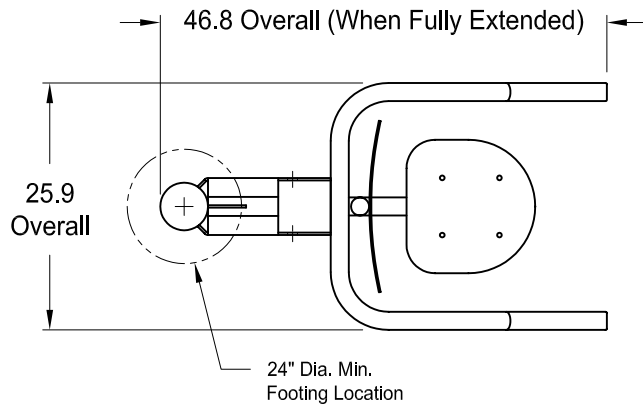


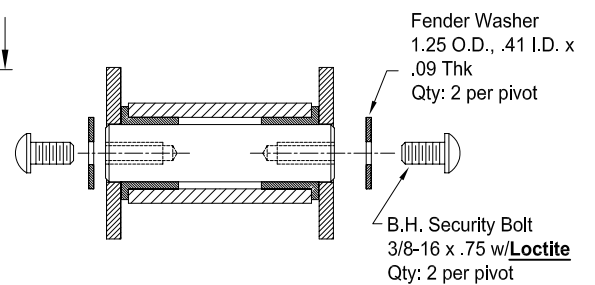


# Lat Pull Down- 1 Person

SKU: N0Jft130

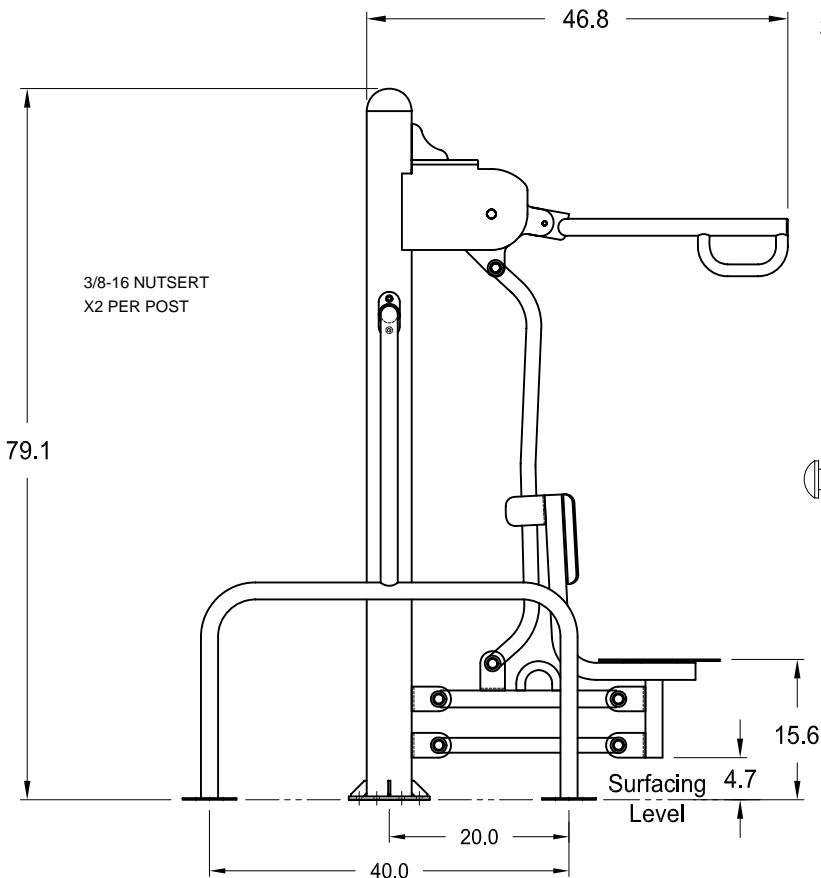
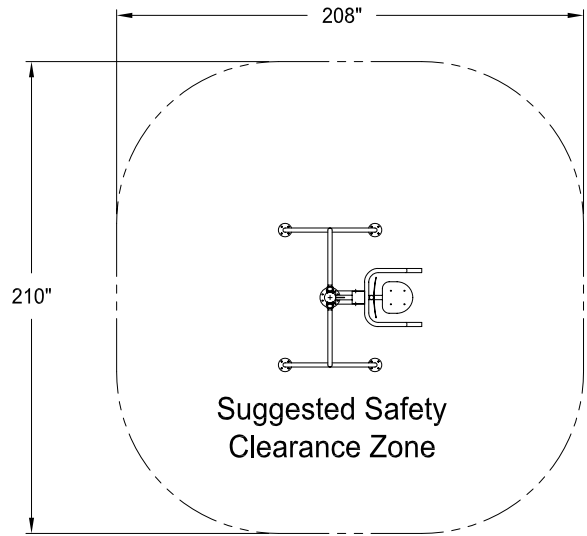
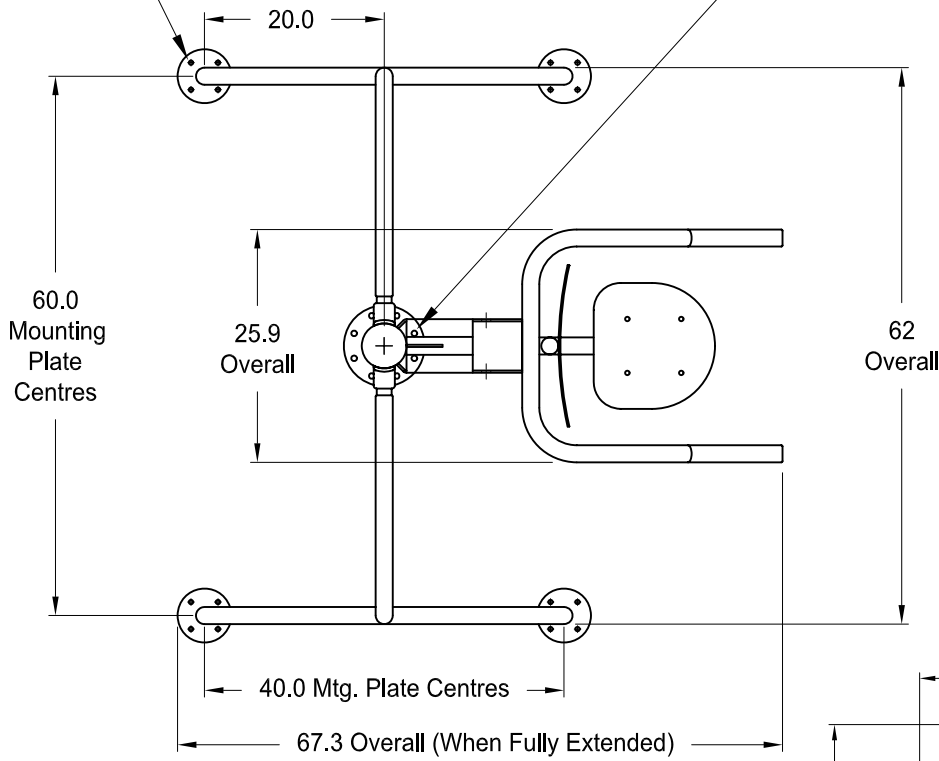


## Typical Pivot Point Assembly

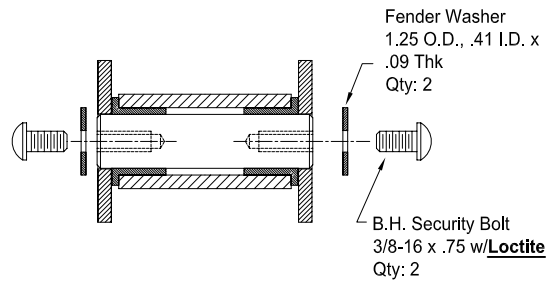


Suggested Anchoring Hardware for Outrigger Plates:  
 7/16" to 1/2" diameter x 3" long, expanding wedge bolts,  
 16 required.

Suggested Anchoring Hardware for Centre Plate:  
 1/2" to 5/8" diameter x 4" long expanding wedge bolts,  
 8 required.



### Typical Pivot Point Assembly



Note: Anchoring is not included as it is impossible to foresee all possible mounting surface conditions. Therefore, anchoring hardware "Types" only are suggested for a typical concrete pad. The concrete should be fully cured and 4 to 6 inches thick.

# Installation Instructions

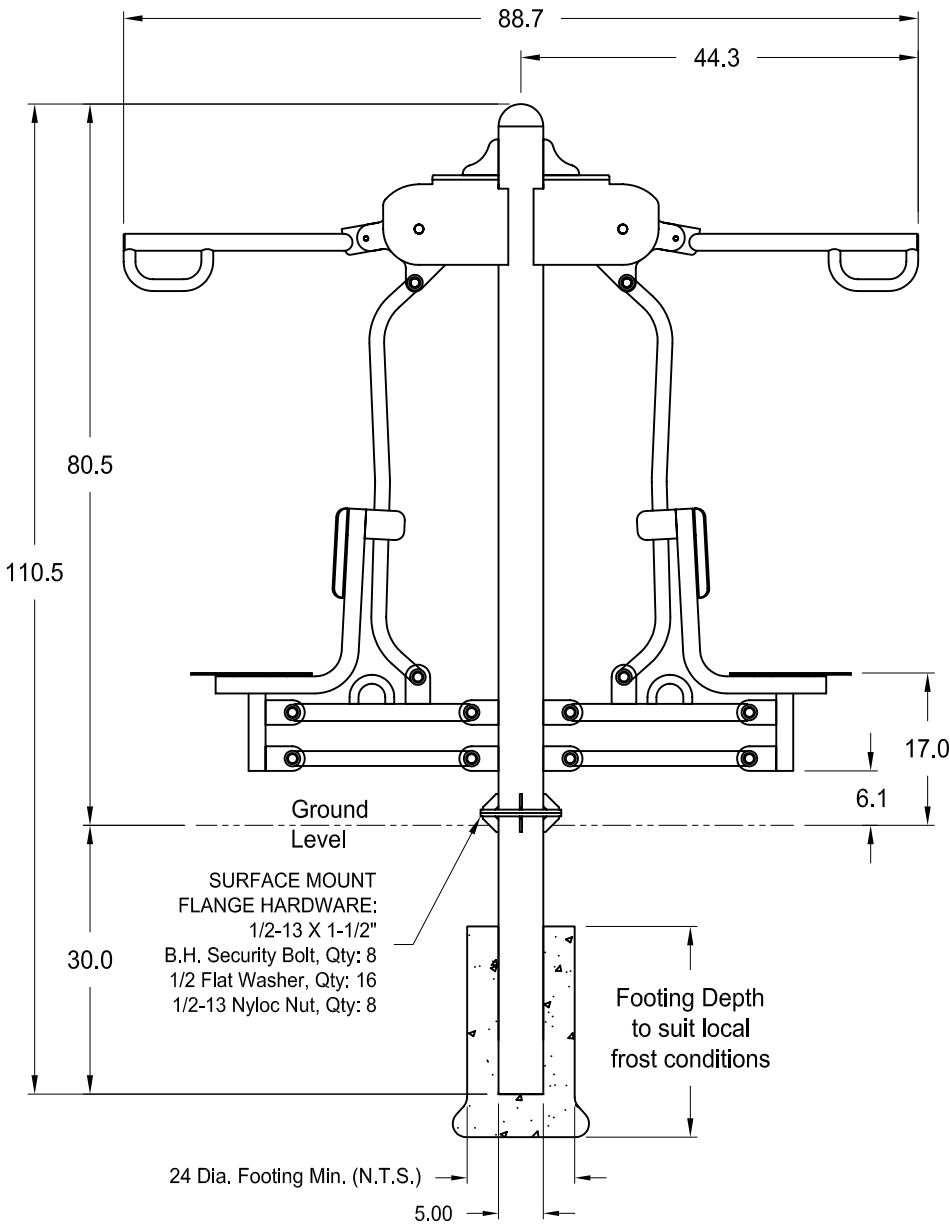
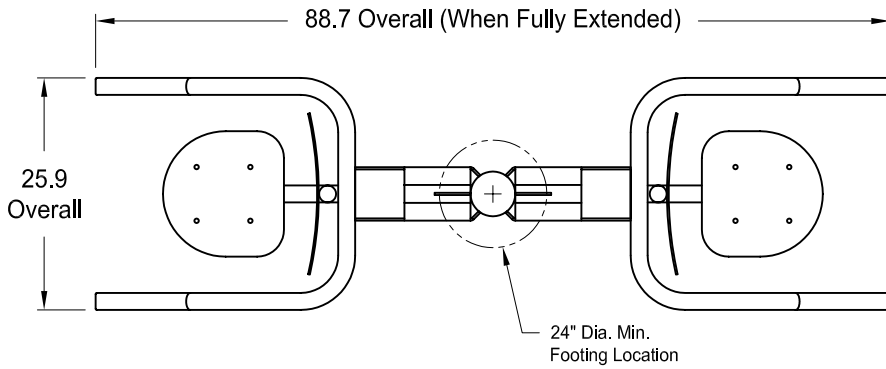
## 2-Person Lat Pull-Down

### 78000008

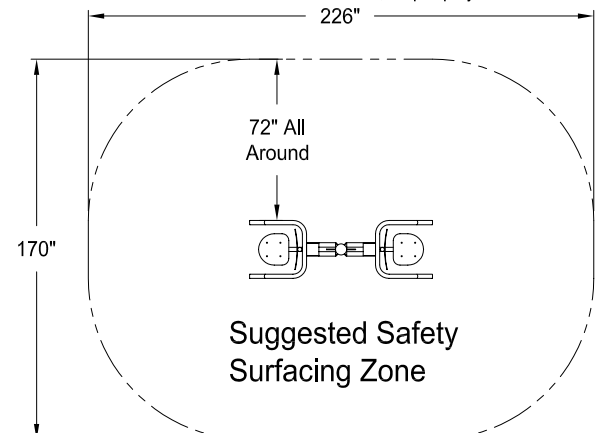
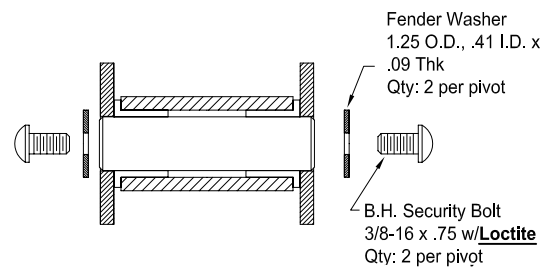


## Lat Pull Down- 2 Person

SKU: N0Jft125



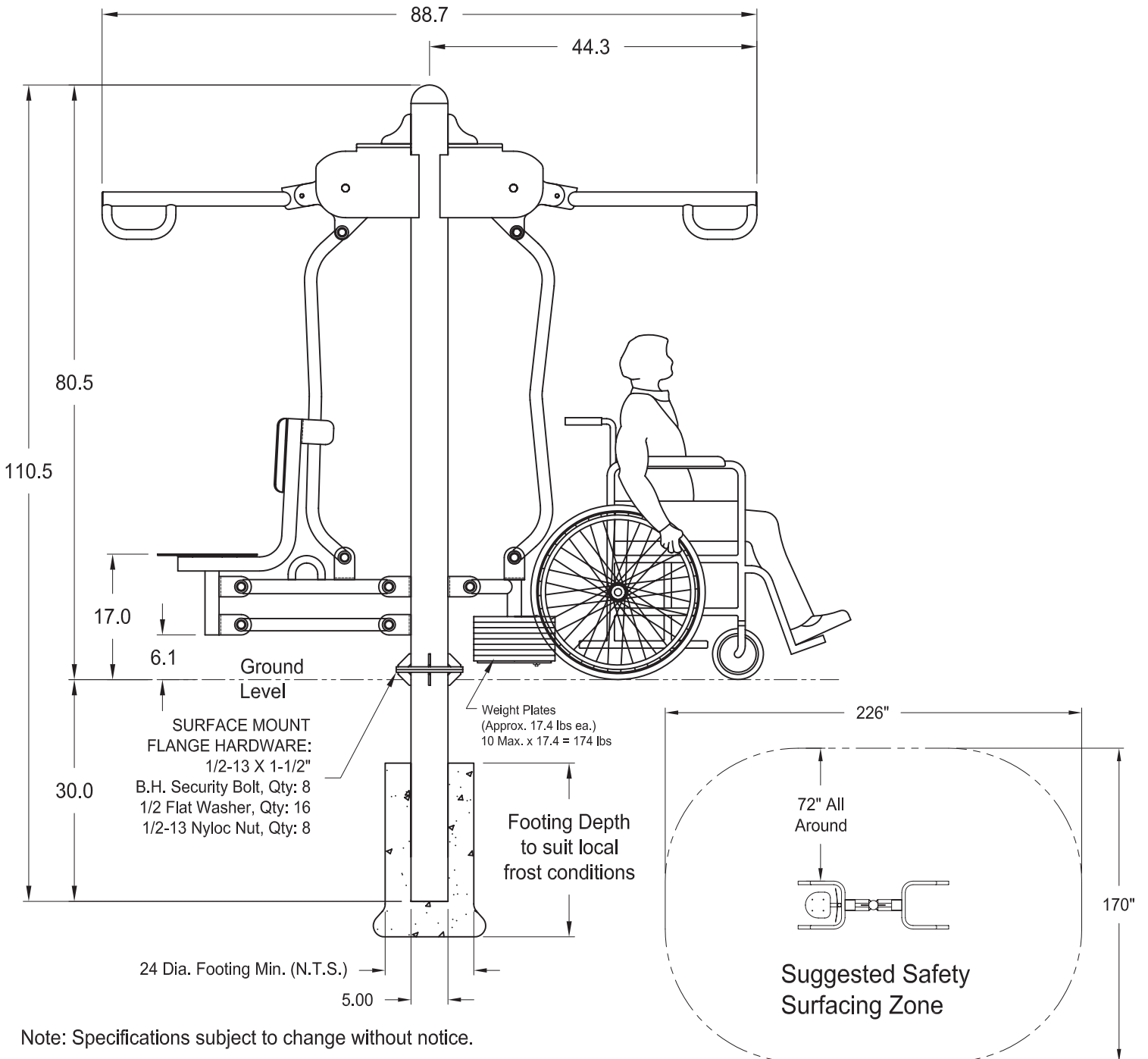
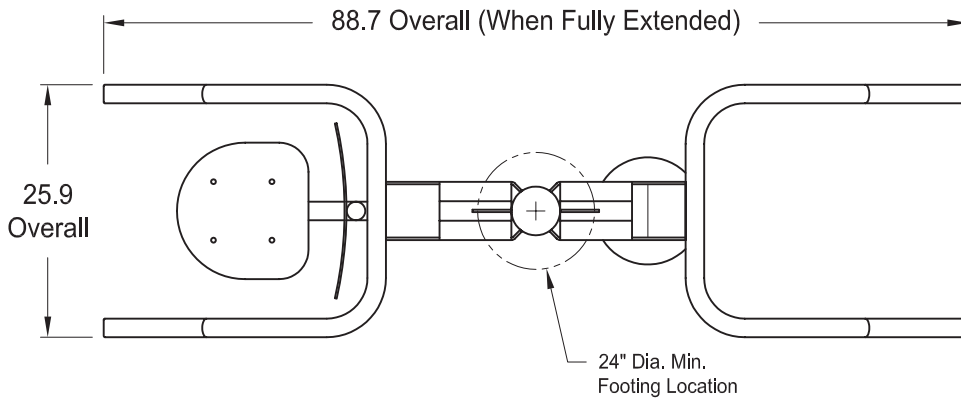
### Typical Pivot Point Assembly





**Lat Pull Down- 2 Person**

SKU: N0Jft125

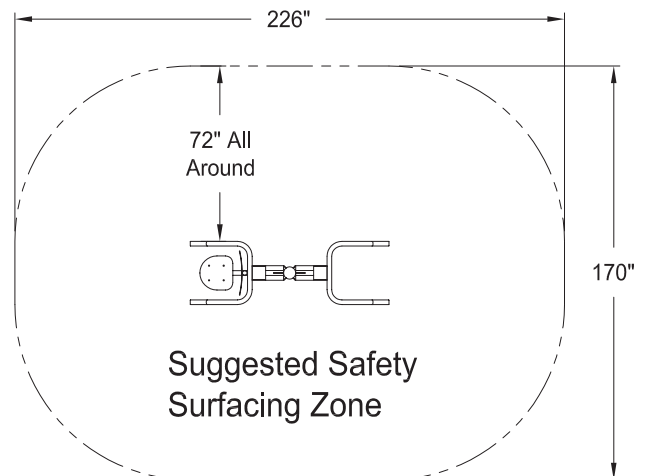
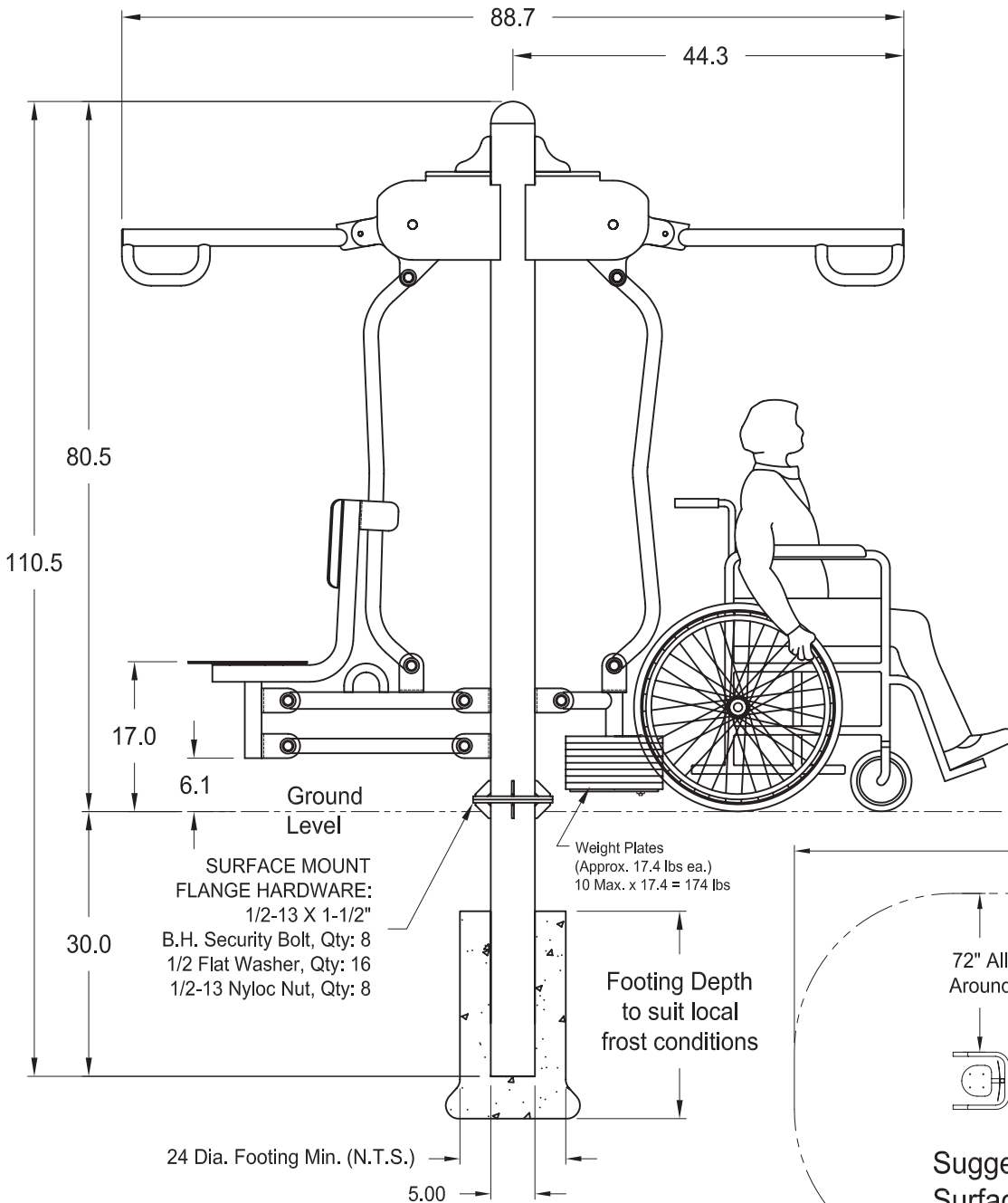
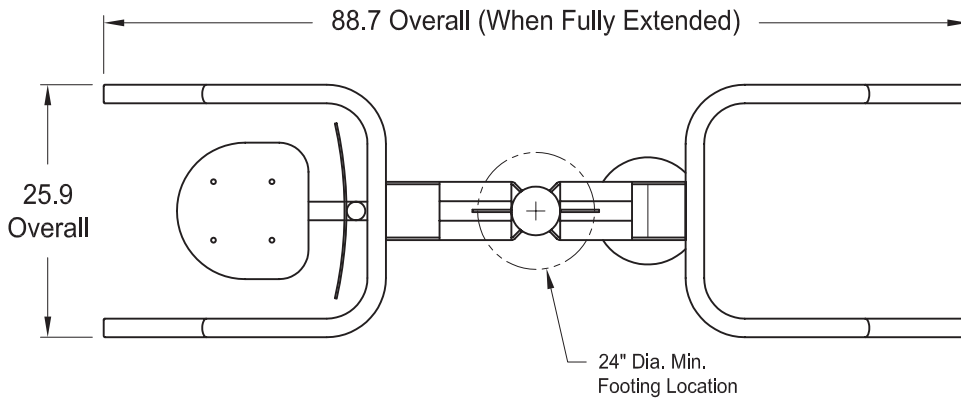


Note: Specifications subject to change without notice.



# Lat Pull Down- 2 Person

SKU: N0Jft125



Note: Specifications subject to change without notice.