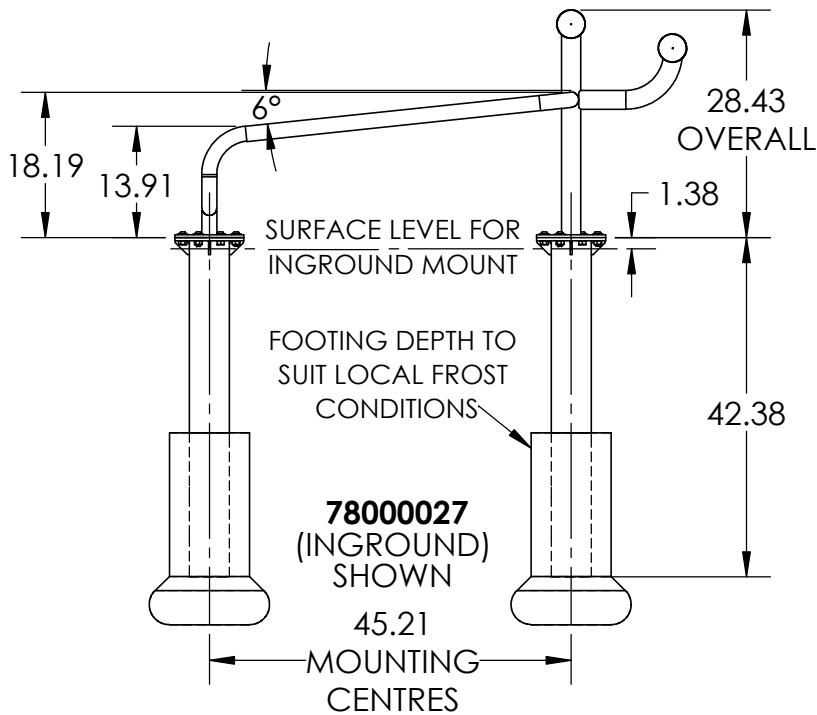
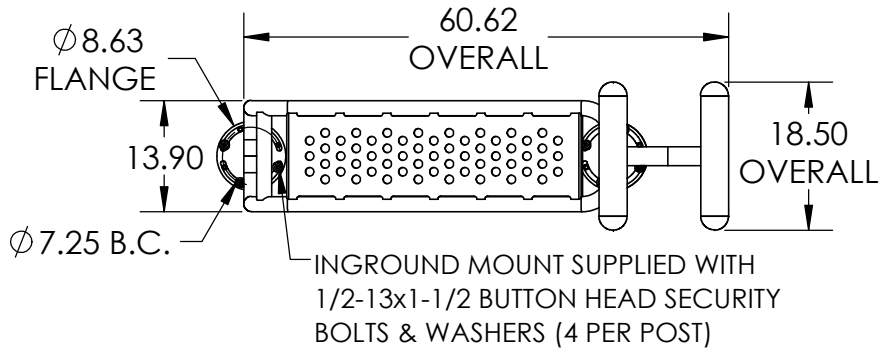




Inclined Crunch Bench- Single

SKU: N0Jft115



MATERIALS SPECIFICATIONS:

- Ø1.90, Ø2.38 & Ø3.50 STEEL TUBE FRAME
- 7GA (.179") STEEL SUPPORT PAN

FINISH SPECIFICATIONS:

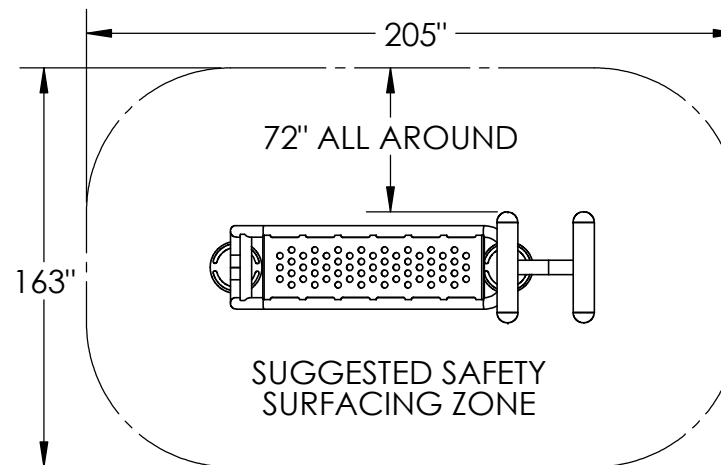
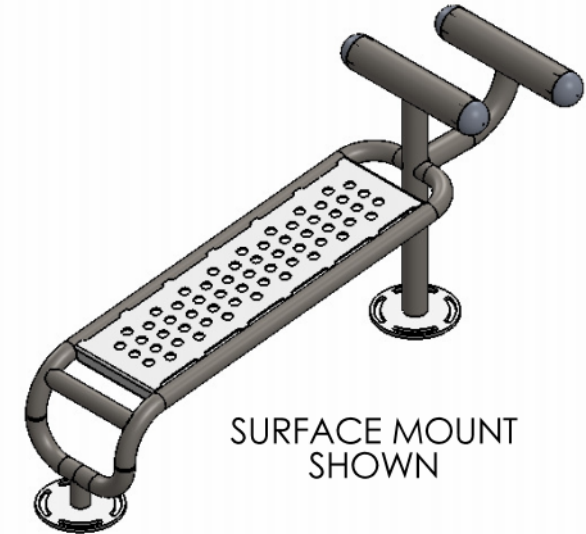
- RUST PREVENTATIVE PRIMER COATING
- SUPER DURABLE POLYESTER POWDER TOP COAT

HARDWARE:

- STAINLESS STEEL, SECURITY DRIVE (6 LOBE, CENTRE PINNED)
- SURFACE MOUNT ANCHORING HARDWARE NOT INCLUDED

NOTES:

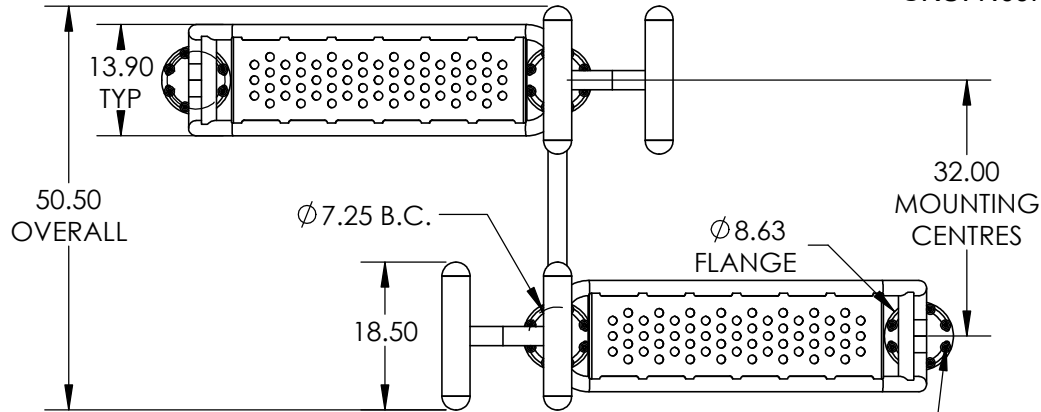
- ANCHORING HARDWARE 'TYPES' ARE SUGGESTED FOR A TYPICAL CONCRETE PAD FULLY CURED & MINIMUM 3-1/2" THICK.
- **SURFACE MOUNT SUGGESTED HARDWARE:**
 - Ø7/16" TO Ø1/2" X 3" LONG EXPANDING WEDGE BOLTS & WASHERS (8 REQUIRED, MINIMUM, 16 MAXIMUM)
- ACTUAL APPARATUS SHOULD BE USED AS A TEMPLATE TO LOCATE ANCHOR HOLES.





Inclined Crunch Bench- Double

SKU: N0Jft110



INGROUND MOUNT SUPPLIED WITH
1/2-13x1-1/2" BUTTON HEAD SECURITY
BOLTS & WASHERS (8 PER POST)

MATERIALS SPECIFICATIONS:

- Ø1.90, Ø2.38 & Ø3.50 STEEL TUBE FRAME
- 7GA (.179") STEEL SUPPORT PAN

FINISH SPECIFICATIONS:

- RUST PREVENTATIVE PRIMER COATING
- SUPER DURABLE POLYESTER POWDER TOP COAT

HARDWARE:

- STAINLESS STEEL, SECURITY DRIVE (6 LOBE, CENTRE PINNED)

