

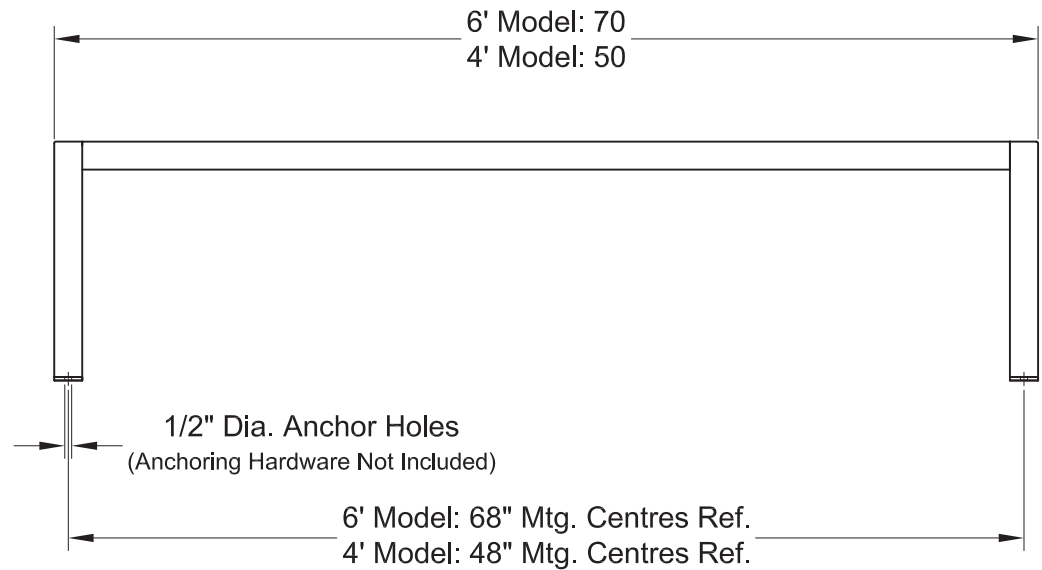
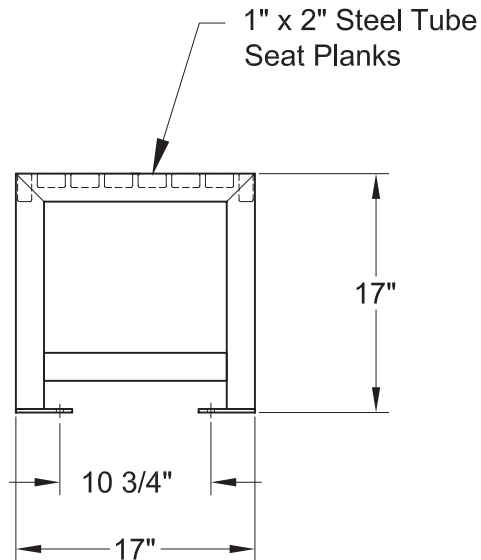
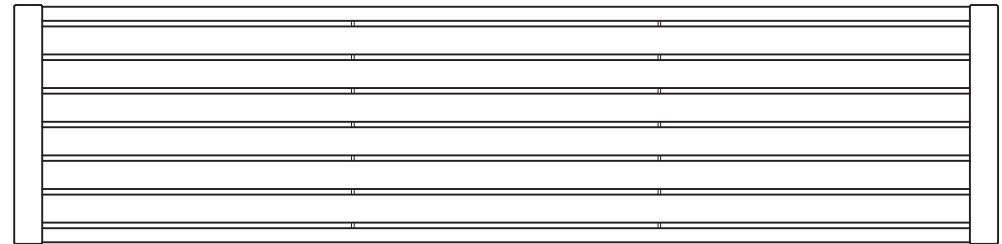


Regency Series Backless Bench

SKU: N0Jbe145, N0Jbe150, N0Jbe155

Material Specifications:

- 2" x 2" x 1/8" Steel Tube
- 1" x 2" x 1/8" Steel Tube
- 1/4" x 2" Steel Plate
- 3/16" x 1" Steel Bar



Notes:

Dimensions shown in inches.
Specifications subject to change without notice.
Rev. 18Jun12

Regency Series Backless Wood & Recycled Plastic Bench Specifications



Materials:

- 2" x 2" x 1/8" Steel Tube
- 1" x 2" x 1/8" Steel Tube
- 1/4" x 2" Steel Plate
- 3/8" x 2 1/2" Steel Plate
- 11 ga. Steel Sheet
- 1/8" x 2" Steel Bar
- 1" x 1" x 1/8" Steel Angle
- 1" x 2 1/2" Cedar Planks
- 1" x 2 1/2" Pau Lope Planks
- Stainless 1/4-20 Carriage Bolts & Nuts

Notes:

Anchoring Hardware Not Included.

We have endeavoured to insure that all product specifications listed on this drawing were correct at the time of publication. We reserve the right to improve, alter, or discontinue specifications without notice.

Dimensions: inches [mm]

