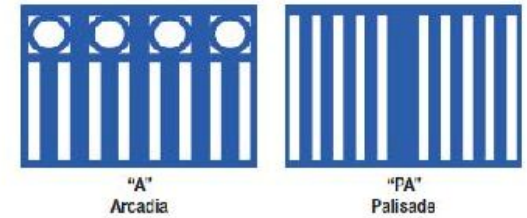




Regency Series Bench

SKU: N0Jbe125, N0Jbe130, N0Jbe135, N0Jbe140

REGENCY PATTERNS



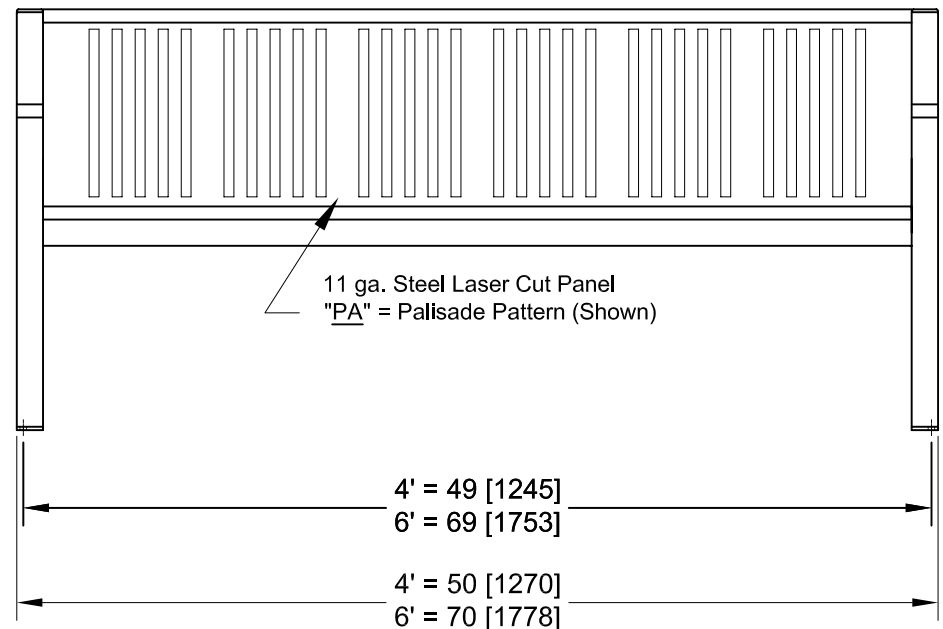
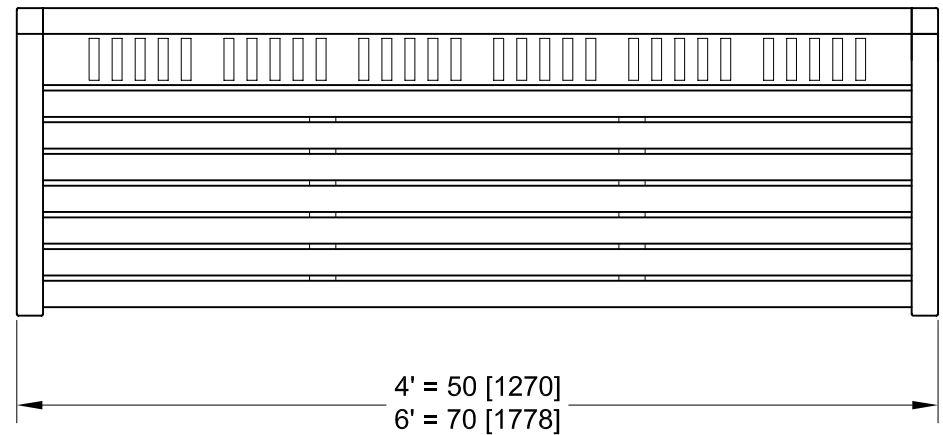
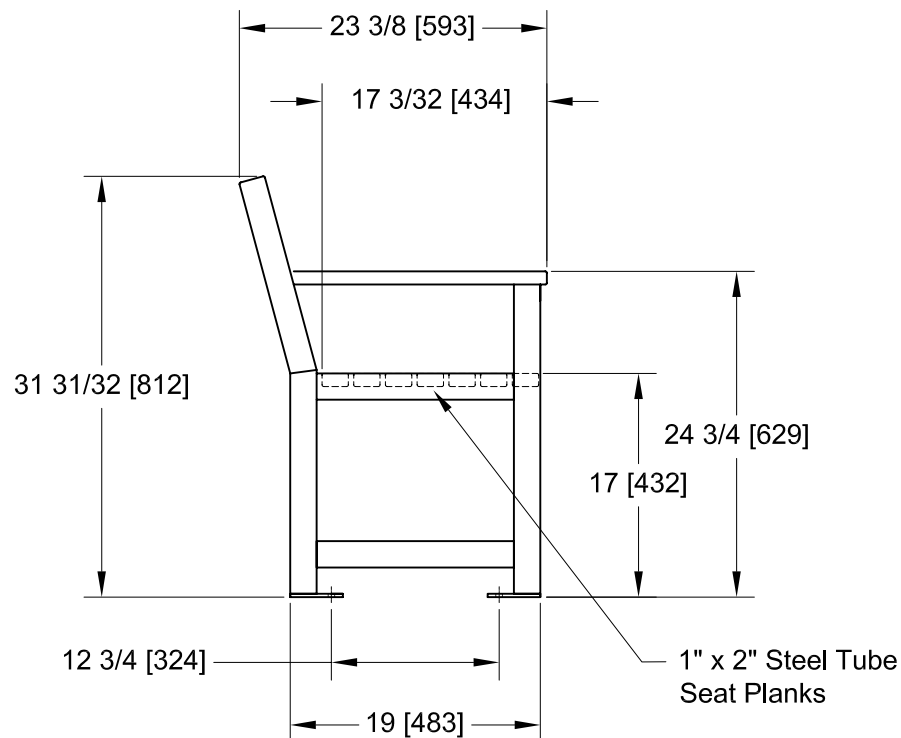
Materials:

- 2" x 2" x 1/8" Steel Tube
- 1" x 2" x 1/8" Steel Tube
- 1/4" x 2" Steel Plate
- 3/8" x 2 1/2" Steel Plate
- 11 ga. Steel Sheet
- 1/8" x 2" Steel Bar
- 1" x 1" x 1/8" Steel Angle

Notes:

Anchoring Hardware Not Included.

We have endeavoured to insure that all product specifications listed on this drawing were correct at the time of publication. We reserve the right to improve, alter, or discontinue specifications without notice.



Regency Series Wood & Recycled Plastic Bench



Materials:

- 2" x 2" x 1/8" Steel Tube
- 1" x 2" x 1/8" Steel Tube
- 1/4" x 2" Steel Plate
- 3/8" x 2 1/2" Steel Plate
- 11 ga. Steel Sheet
- 1/8" x 2" Steel Bar
- 1" x 1" x 1/8" Steel Angle
- 1" x 2.5" Pau Lope Planks
- 1.5" x 2.5" Recycled Plastic Planks
- Stainless Carriage Bolts

Notes:

Anchoring Hardware Not Included.

Dimensions shown in: Inches [mm]

We have endeavoured to insure that all product specifications listed on this drawing were correct at the time of publication. We reserve the right to improve, alter, or discontinue specifications without notice.

