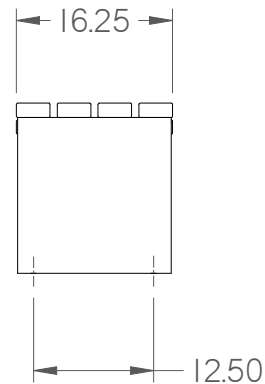
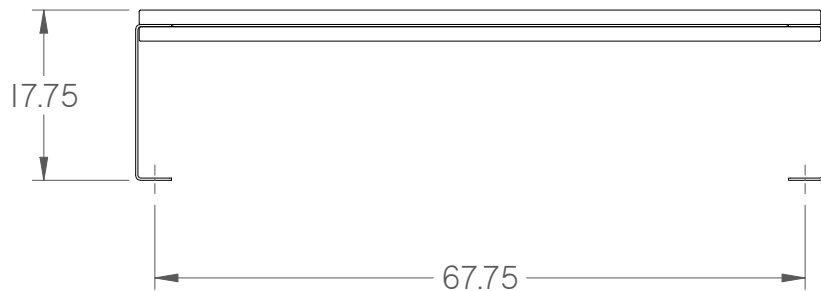
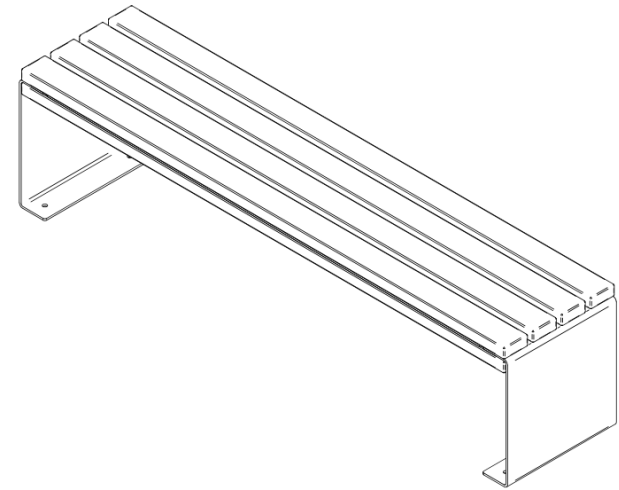
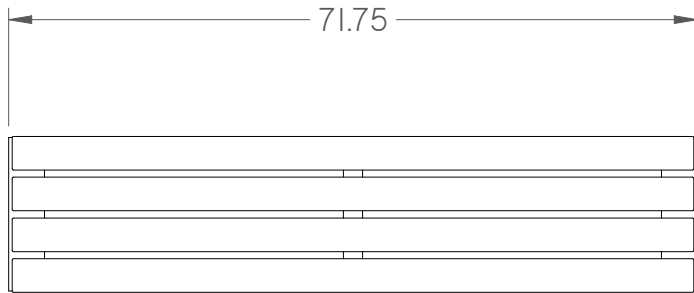




6ft Inox Bench Backless

SKU: N0Jbe115



Materials:

Frame:

- 1/4" Stainless Steel #4 Brushed Finish

Seat:

- 2" x 4" Ipe Hardwood Planks (nominal)

Hardware:

- Assembled with 1/4-20 Pan Head
Stainless Steel Screws

Bench Weight: Approx. 140 lbs

Notes:

Anchoring Hardware Not Included