

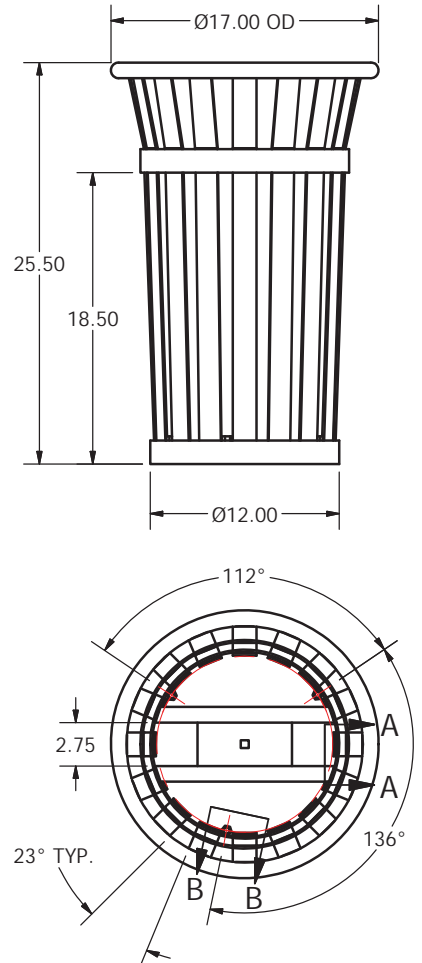


Oakley Standard Ash Receptacle

SKU:450tr170



Inner Ash Urn



Product Features

- Made from 1/8" X 1½" galvanized steel slats
- Has 1" top tube
- Includes 1/8" x 1½" steel horizontal bands
- Inner Ash Urn made from galvaneal steel with an aluminum ash top
- TGIC Polyester Powder Coat outdoor finish
- Material is chemically prepared and zinc rich primed prior to paint
- Available in three standard colors: Black (PMS # 6C), Brown (PMS # 426C) or Green (PMS # 346C)
- Unit comes Standard with 3 Stainless Steel Leveling Feet and Anchor Kit
- Custom colors available upon request

Dimensions	Weight	Finishes
17" dia x 25½" high	42 lbs	Black (BK), Green (GN), Brown (BN)