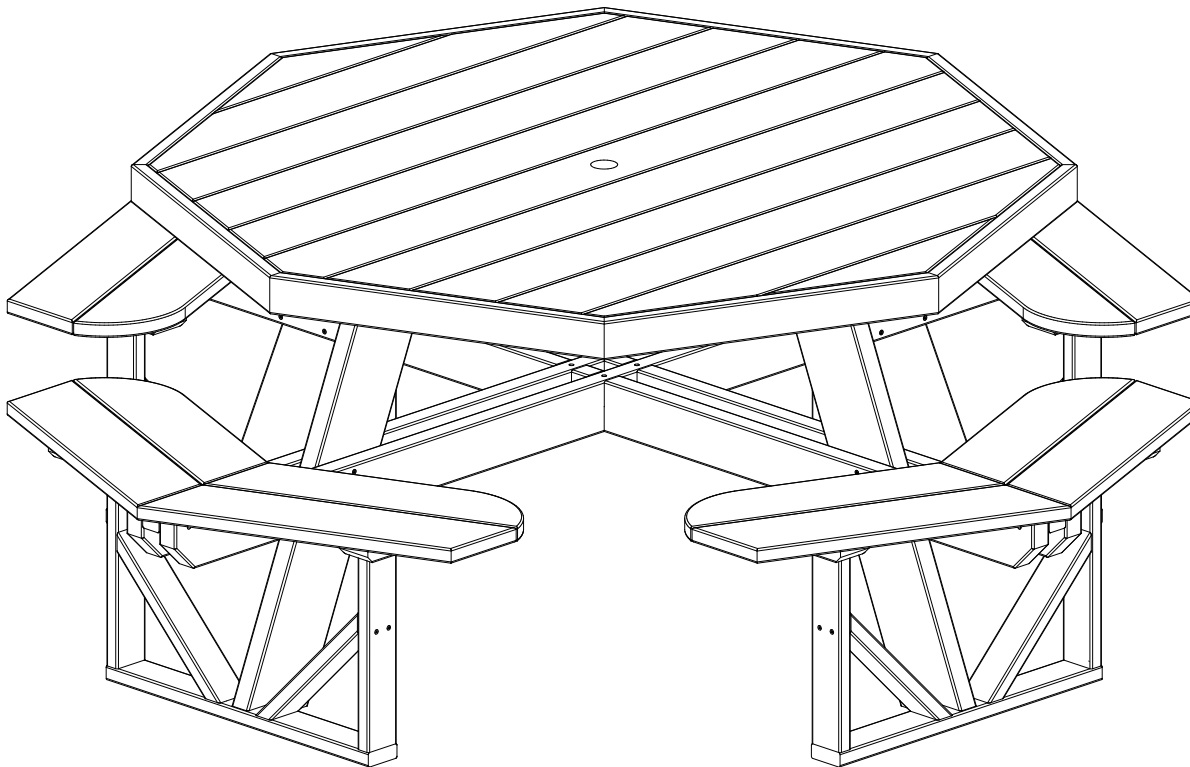


| | | |
|---|-------------------------|---------|
| A | Overall Height | 30" |
| B | Overall Depth | 85-1/2" |
| C | Seat Height | 17-1/4" |
| D | Top Width | 61-1/4" |
| E | Seat Height To Skirting | 10" |
| F | Opening Between Seats | 10-1/2" |
| | Umbrella Hole 1-3/4" | |
| | Weight 230Lbs. | |




Poly Octagon Picnic Table Dimensions

| | |
|-------------|------|
| 10/31/ 2017 | R.M. |
|-------------|------|