

SEATING PLAN

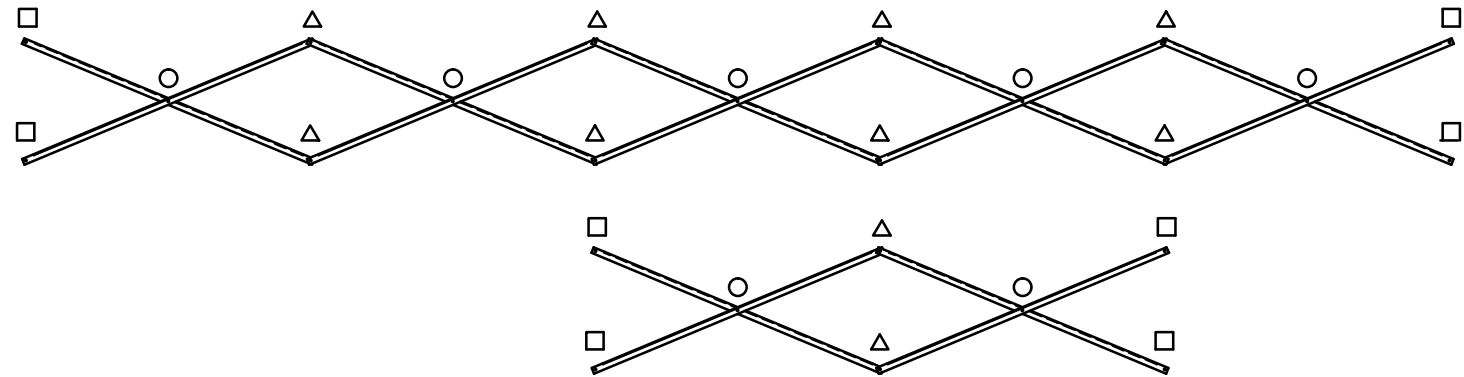
3/16" = 1'-0"

184 NET SEATS @ 18" PER SEAT



Park Warehouse

SCALE	3/16"=1'-0"	REVISIONS	BY	DATE
DATE	12/3/02	NET SEATS	WHW	12/06
DR'N	R.A	CKD	UPDATED TO 700 SERIES STANDARDS	GDK
AP'VD				
TITLE	129-1195-3		NO.	129-1195-3



X-BRACE DETAIL

N.T.S.

X-BRACE LINE (F)

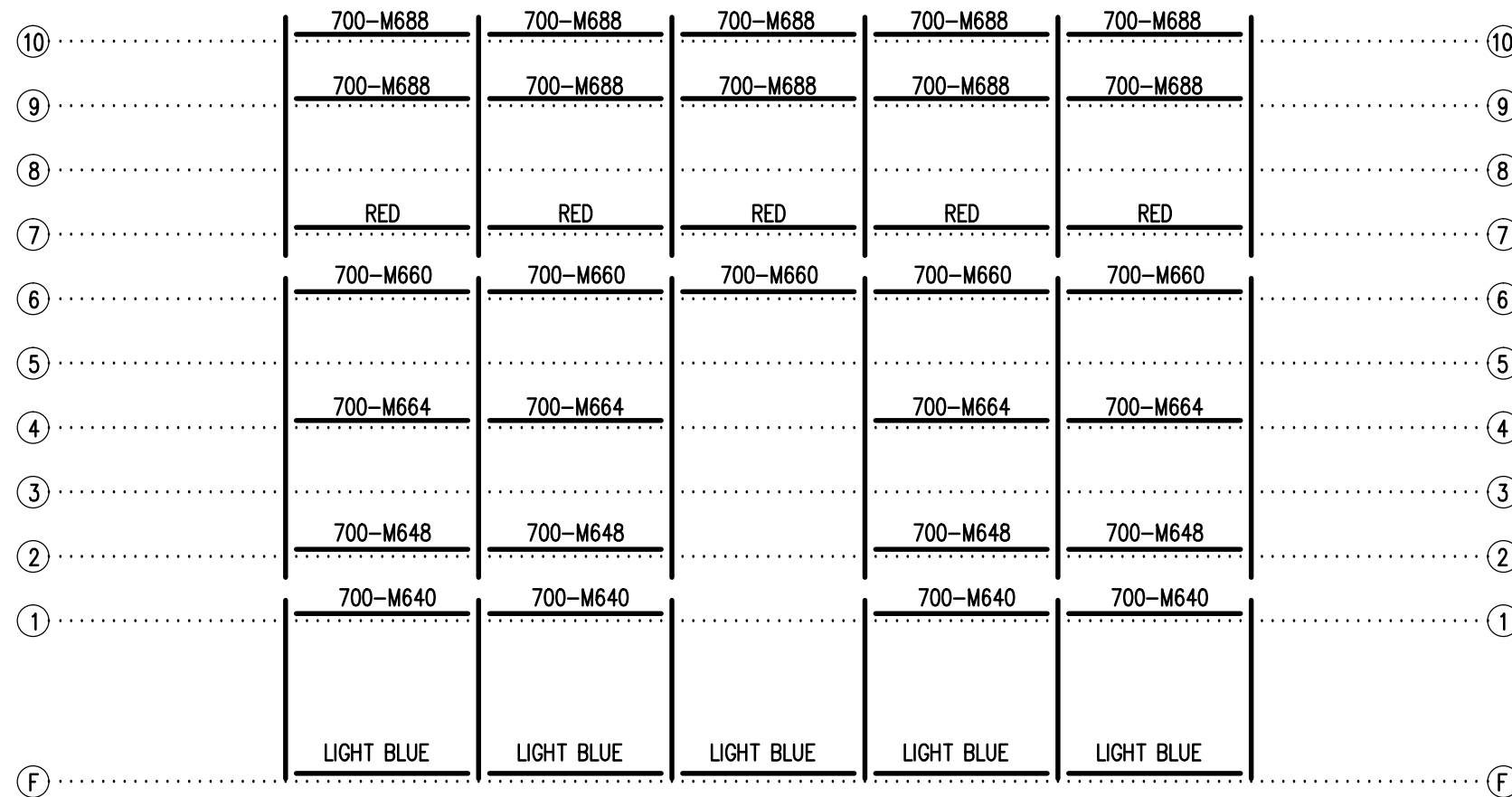
- 7/16" X 1" GALV. MACH. BOLT
- △ 7/16" X 1.1/2" GALV. MACH. BOLT
- 7/16" X 1" GALV. MACH. BOLT

X-BRACE LINE (1) (2) (4) (7) (9)

- 7/16" X 1" GALV. MACH. BOLT
- △ 7/16" X 3" GALV. MACH. BOLT
- 7/16" X 3" GALV. MACH. BOLT


X-BRACE LINE (6) (10)

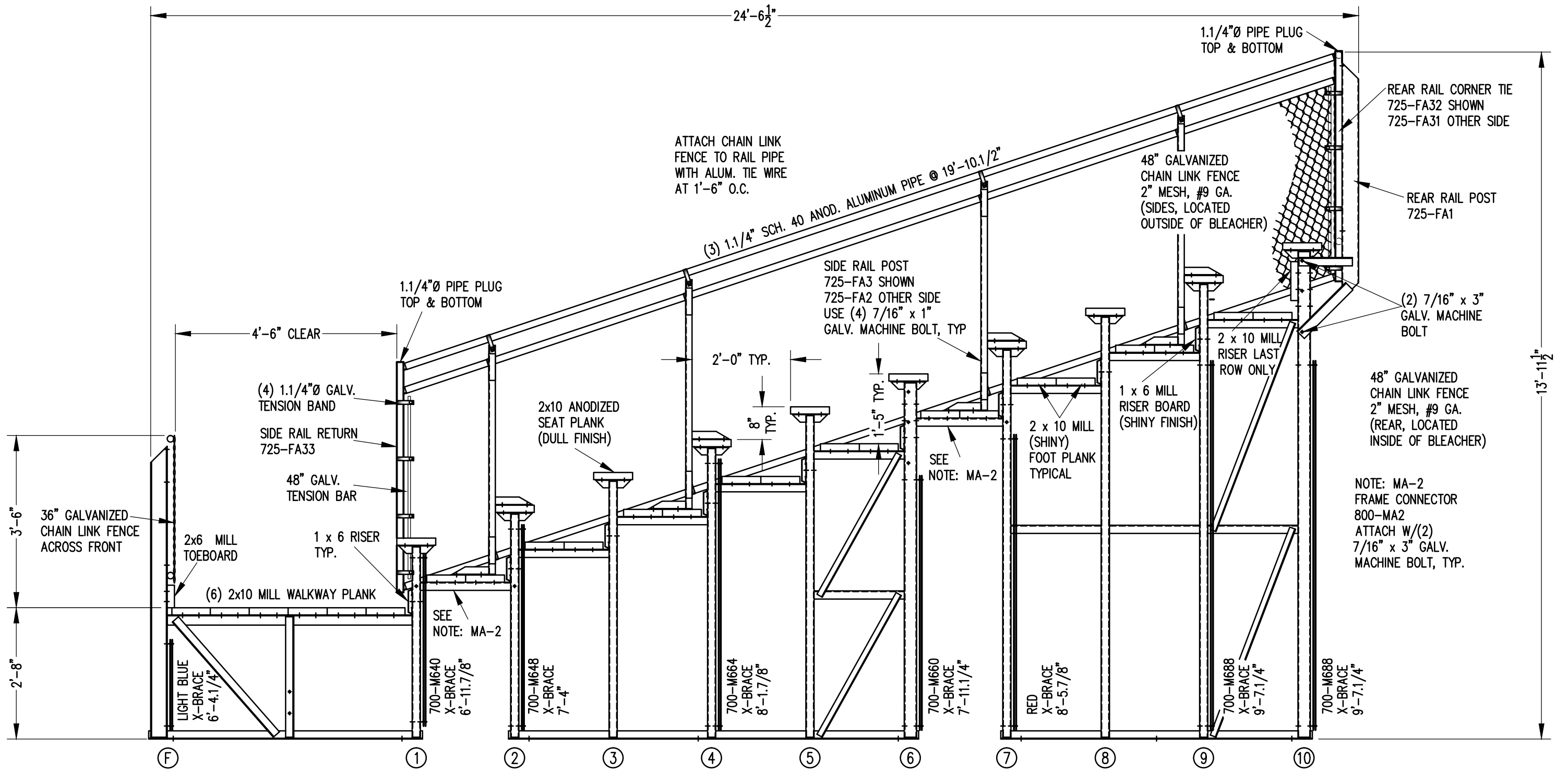
- 7/16" X 1" GALV. MACH. BOLT
- △ 7/16" X 4" GALV. MACH. BOLT
- 7/16" X 4" GALV. MACH. BOLT



FRAMING PLAN

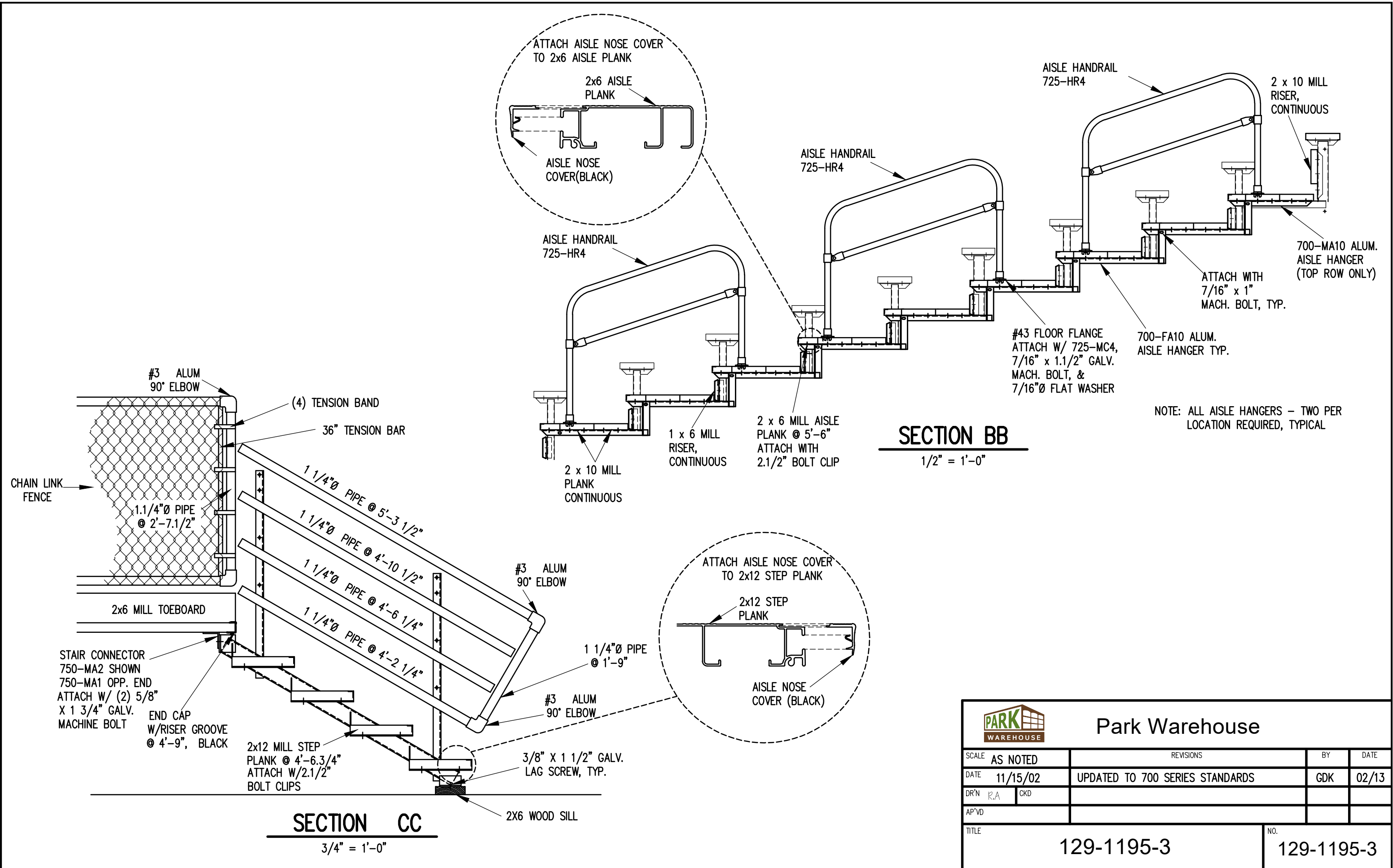
3/16" = 1'-0"


		Park Warehouse	
SCALE	3/16"=1'-0"	REVISIONS	BY DATE
DATE	12/4/02	UPDATED TO 700 SERIES STANDARDS	GDK 02/13
DR'N	R.A. CKD		
AP'VD			
TITLE	129-1195-3		NO. 129-1195-3

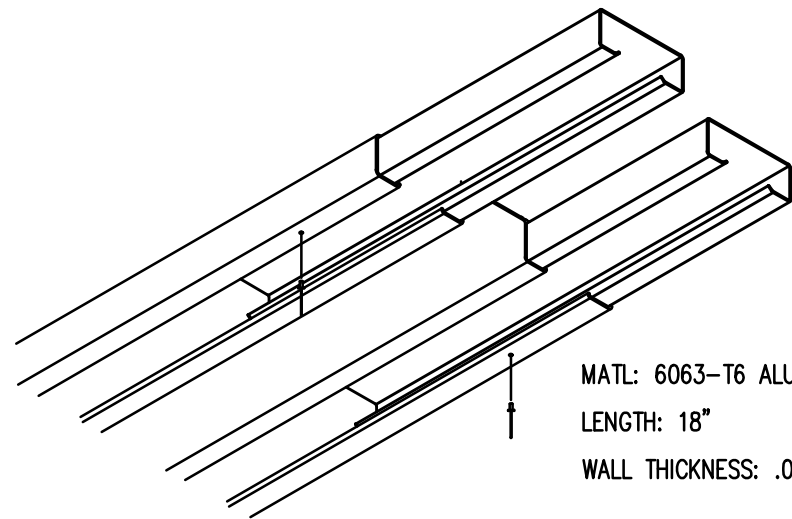


SECTION AA
 1/2" = 1'-0"

		Park Warehouse	
SCALE	1/2" = 1'-0"	REVISIONS	BY DATE
DATE	12/3/02	FOOTBOARD SUPPORT, FA17R2, FA23R1, MA2	RS 11/06
DR'N	R.A. CKD	ADDED 1x6 RISER HOLES	WHW 11/09
AP'VD		UPDATED TO 700 SERIES STANDARDS	GDK 02/13
TITLE	129-1195-3		NO. 129-1195-3



		<h2 style="text-align: center;">Park Warehouse</h2>			
				SCALE	AS NOTED
DATE	11/15/02	UPDATED TO 700 SERIES STANDARDS		GDK	02/13
DR'N	R.A.	CKD			
AP'VD					
TITLE	129-1195-3			129-1195-3	



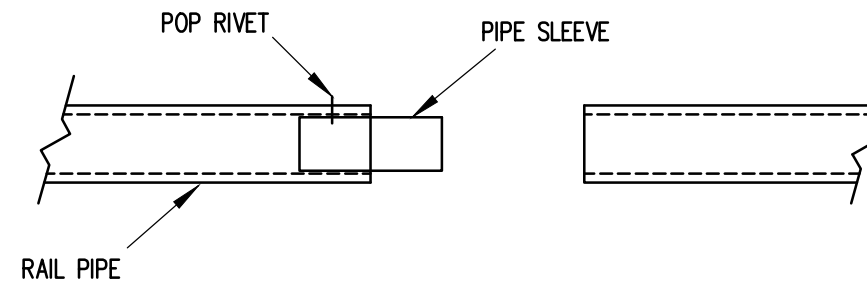
MATL: 6063-T6 ALUMN.
 LENGTH: 18"
 WALL THICKNESS: .062"

- 1) INSERT SLEEVES APPROXIMATELY HALFWAY INTO THE PLANK WITH THE ENDS STAGGERED ABOUT 1/2". FASTEN SLEEVE WITH (1) ALUMINUM POP RIVET.
- 2) SLIDE THE END OF THE ADJOINING PLANK OVER THE SLEEVES UNTIL THE TWO PLANKS ARE SNUG.

NOTE: SLEEVES SHOULD BE ATTACHED ON ONLY ONE END TO ALLOW FOR EXPANSION.

PLANK SPLICE SLEEVE ASSEMBLY

(TYP. @ ALL PLANK SPLICES)




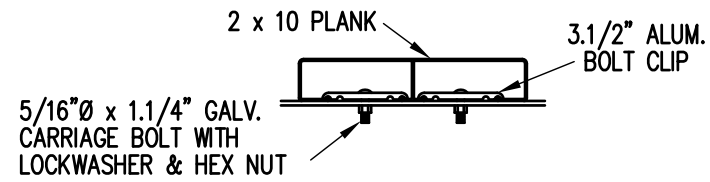
PIPE SLEEVE ASSEMBLY

1.1/2" = 1' 0"

- 1) INSERT PIPE SLEEVE APPROXIMATELY HALFWAY INTO THE RAIL PIPE. FASTEN PIPE SLEEVE WITH (1) ALUMINUM POP RIVET (5/32" X 5/8")
- 2) SLIDE THE END OF THE ADJOINING RAILPIPE OVER THE PIPE SLEEVE UNTIL THE TWO RAILS ARE FLUSH.

NOTE: PIPE SLEEVES SHOULD BE ATTACHED ON ONLY ONE END TO ALLOW FOR EXPANSION.

		Park Warehouse		
SCALE	AS NOTED	REVISIONS	BY	DATE
DATE	11/15/02	UPDATED TO 700 SERIES STANDARDS	GDK	02/13
DR'N	R.A	CKD		
AP'VD				
TITLE	129-1195-3		NO.	129-1195-3



BOLT CLIP DETAIL

1.1/2" = 1'-0"

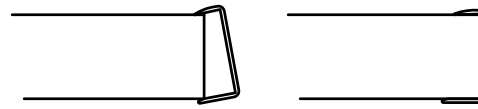


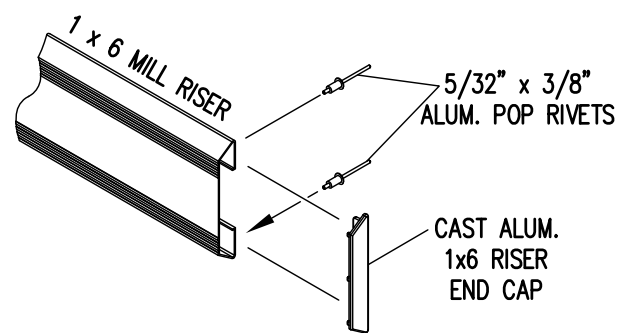
FIG.1

FIG.2

- 1) LOCATE THE CHANNEL END CAP AS SHOWN IN FIG. 1.
- 2) TAP END CAP INTO PLACE WITH RUBBER Mallet OR SOFT WOOD. FIG.2
- 3) DRILL 5/32" HOLES THROUGH THE BOTTOM FLANGE AND THE BOTTOM OUTSIDE PLANK FLANGES OF EACH PLANK. INSTALL 5/32" POP RIVETS.

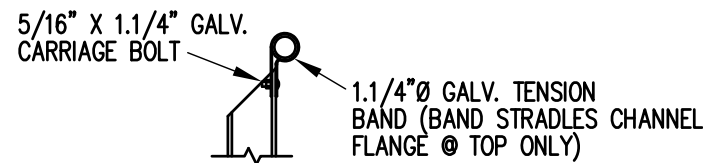
END CAP DETAIL

N.T.S.

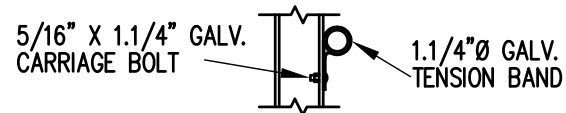


1 x 6 RISER END CAP

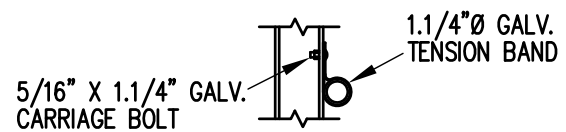
N.T.S.



TOP RAIL

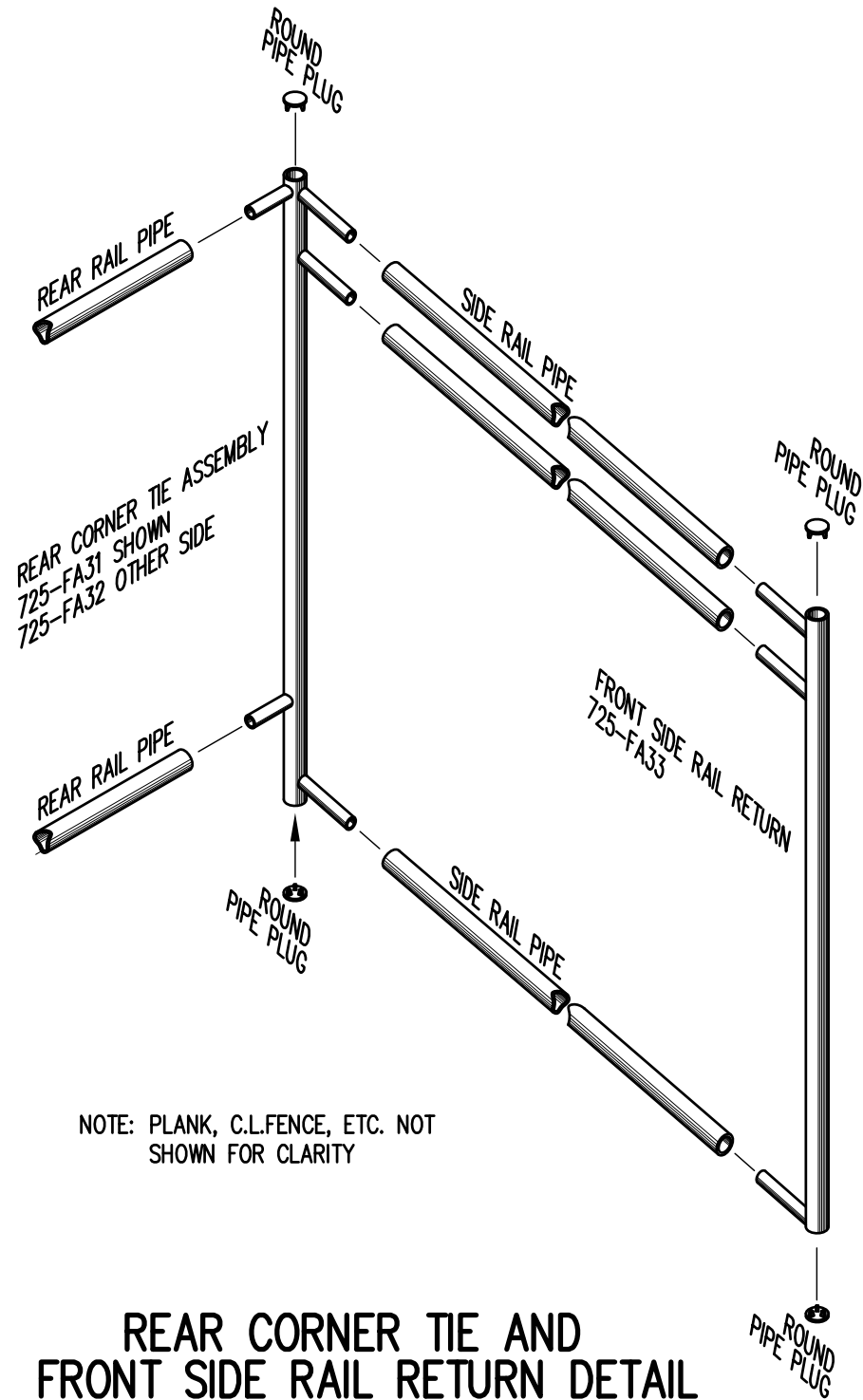


MID RAIL



LOWER RAIL

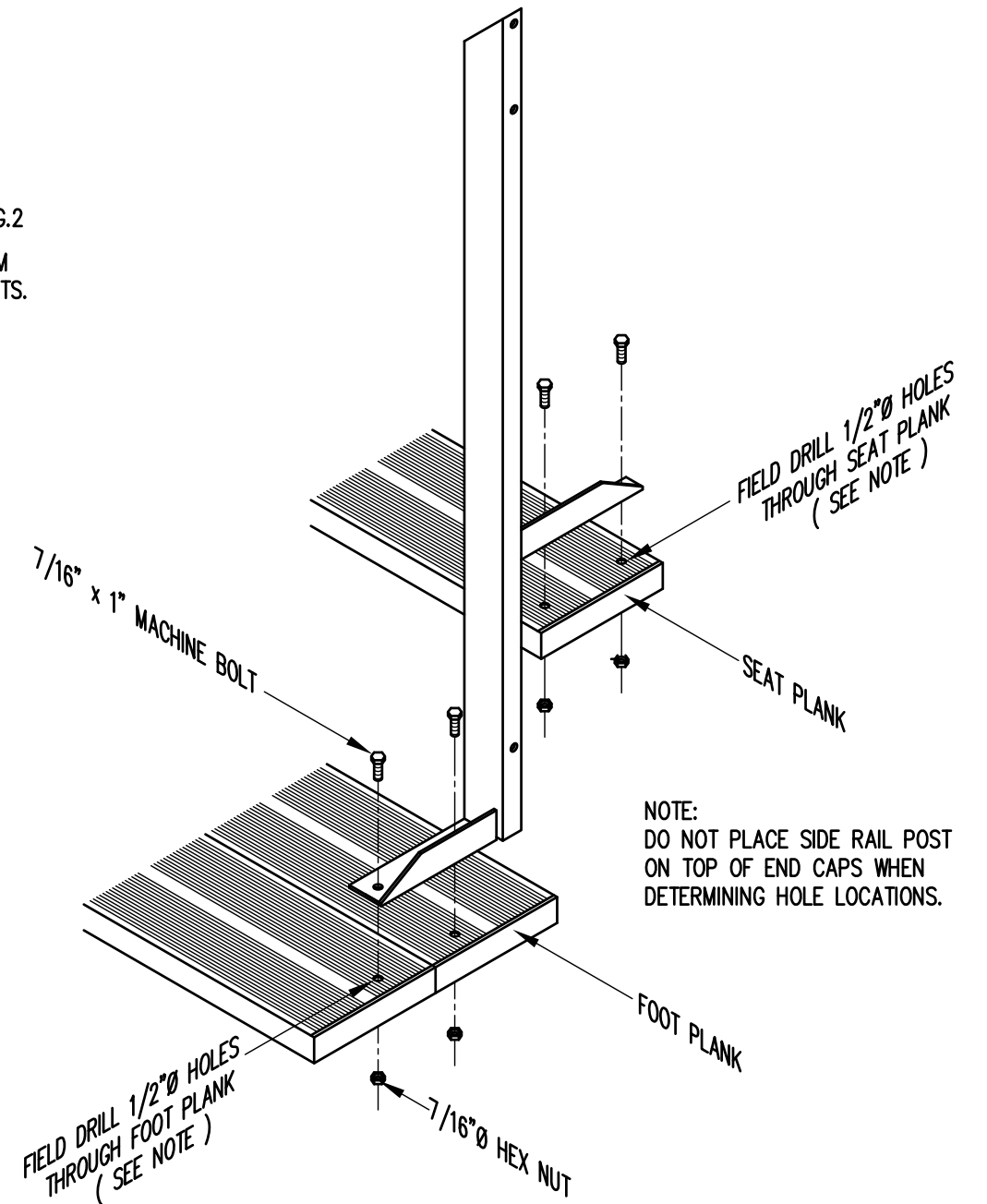
3/4" = 1'-0"



NOTE: PLANK, C.L.FENCE, ETC. NOT SHOWN FOR CLARITY

REAR CORNER TIE AND FRONT SIDE RAIL RETURN DETAIL

3/4" = 1'-0"



NOTE: DO NOT PLACE SIDE RAIL POST ON TOP OF END CAPS WHEN DETERMINING HOLE LOCATIONS.

TYP. SIDE RAIL POST ATTACHMENT

1" = 1'-0"

		Park Warehouse	
SCALE	AS NOTED	REVISIONS	BY DATE
DATE	11/15/02	UPDATED TO 700 SERIES STANDARDS	GDK 02/13
DR'N	R.A CKD		
AP'VD			
TITLE	129-1195-3		NO. 129-1195-3