

SEATING PLAN

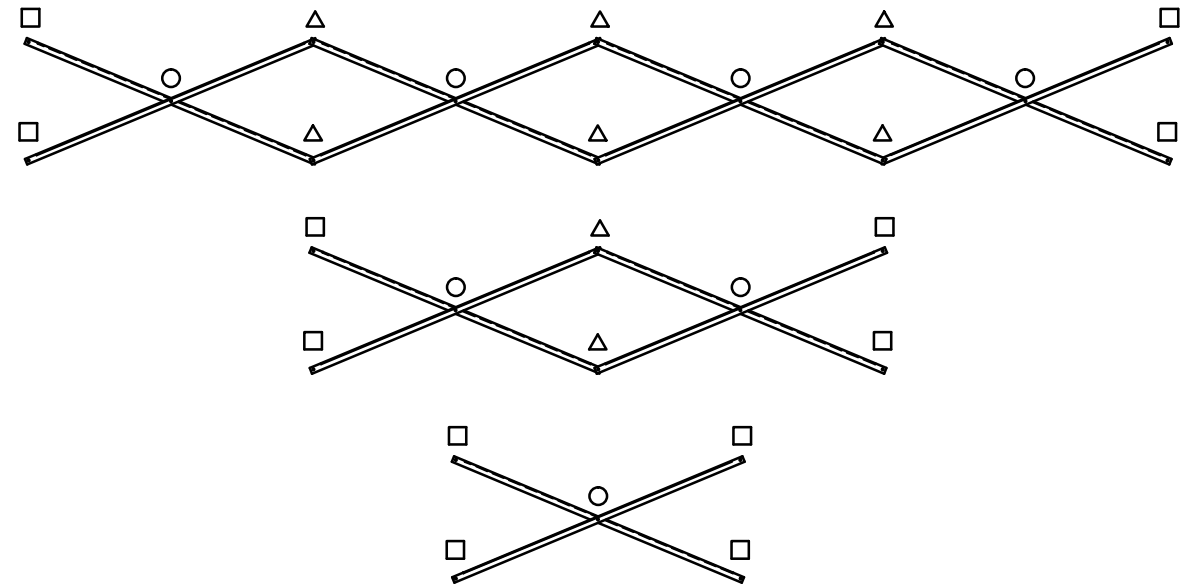
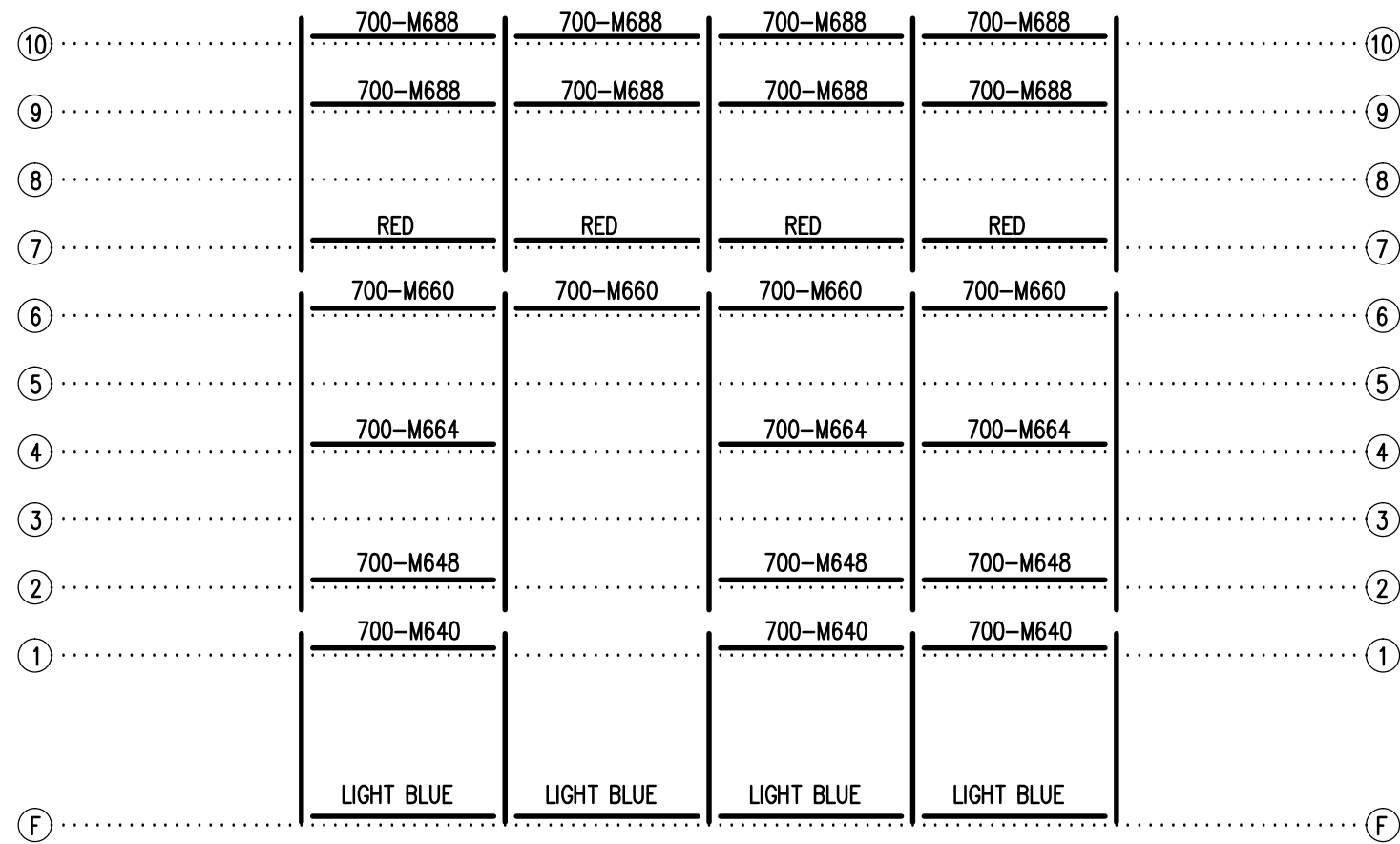
3/16" = 1'-0"

144 NET SEATS @ 18" PER SEAT



Park Warehouse

SCALE	3/16"=1'-0"	REVISIONS	BY	DATE
DATE	12/2/02	UPDATED TO 700 SERIES STANDARDS	GDK	02/13
DR'N	R.A	CKD		
AP'VD				
TITLE	129-1195-2		NO.	129-1195-2

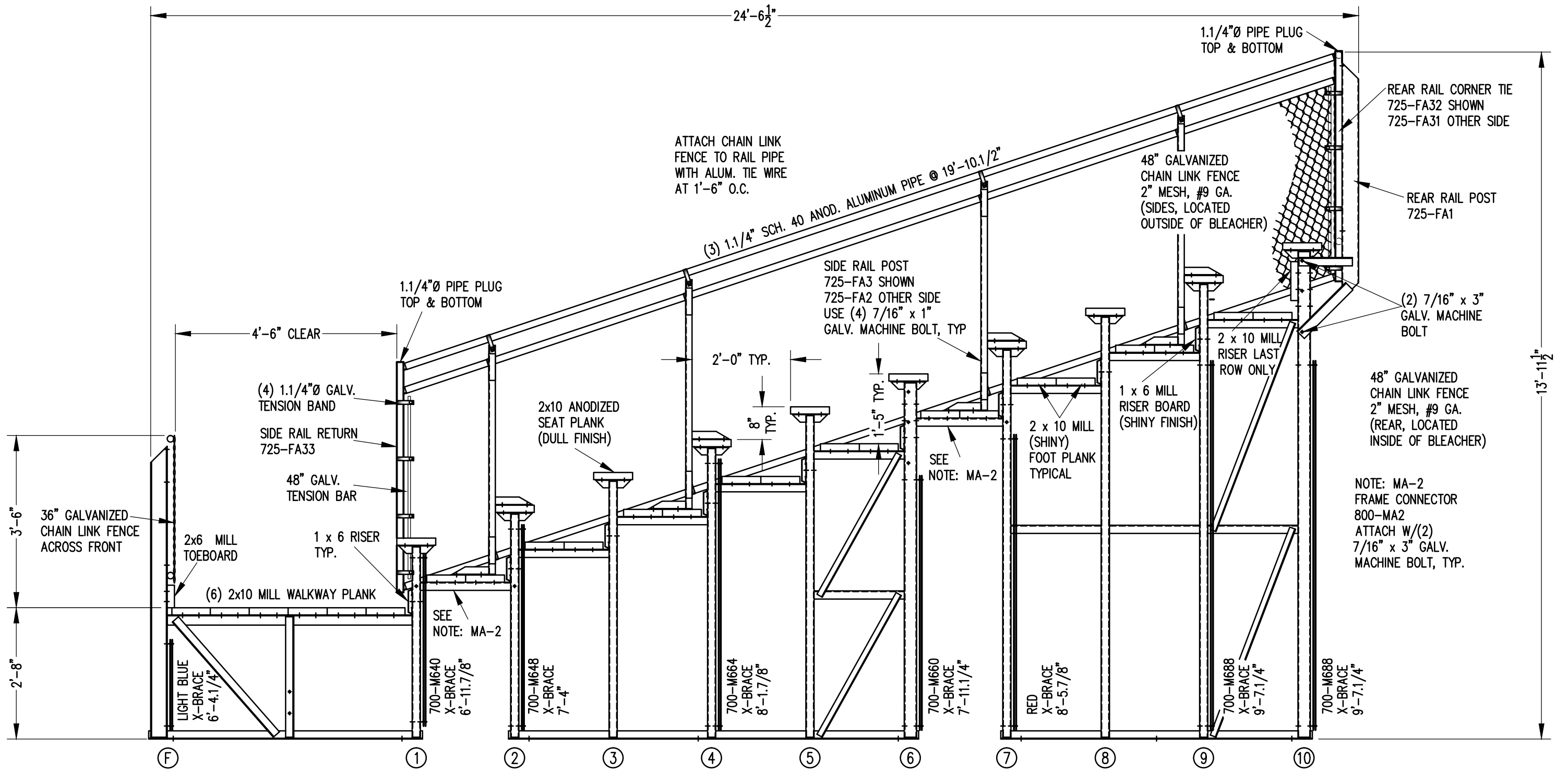


X-BRACE DETAIL


N.T.S.

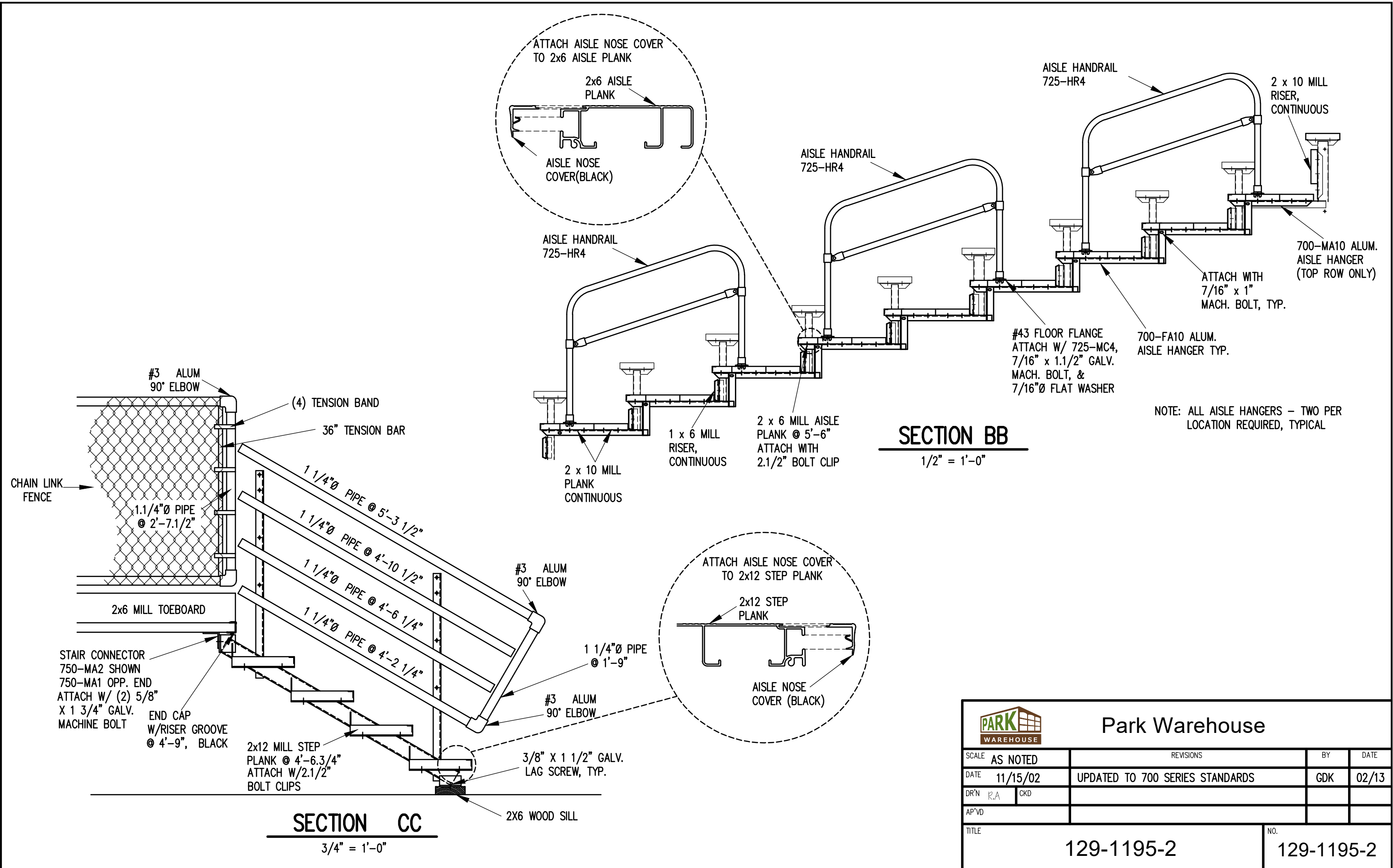
- X-BRACE LINE (F)**
- 7/16" X 1" GALV. MACH. BOLT
 - △ 7/16" X 1.1/2" GALV. MACH. BOLT
 - 7/16" X 1" GALV. MACH. BOLT
- X-BRACE LINE (1) (2) (4) (7) (9)**
- 7/16" X 1" GALV. MACH. BOLT
 - △ 7/16" X 3" GALV. MACH. BOLT
 - 7/16" X 3" GALV. MACH. BOLT
- X-BRACE LINE (6) (10)**
- 7/16" X 1" GALV. MACH. BOLT
 - △ 7/16" X 4" GALV. MACH. BOLT
 - 7/16" X 4" GALV. MACH. BOLT


		Park Warehouse	
SCALE	3/16"=1'-0"	REVISIONS	BY DATE
DATE	12/4/02	UPDATED TO 700 SERIES STANDARDS	GDK 02/13
DR'N	R.A CKD		
AP'VD			
TITLE	129-1195-2		NO. 129-1195-2

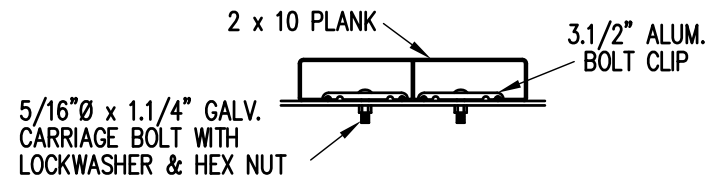


SECTION AA
1/2" = 1'-0"

		Park Warehouse	
SCALE	1/2" = 1'-0"	REVISIONS	BY DATE
DATE	12/3/02	FOOTBOARD SUPPORT, FA17R2, FA23R1, MA2	RS 11/06
DR'N	R.A CKD	ADDED 1x6 RISER HOLES	WHW 11/09
AP'VD		UPDATED TO 700 SERIES STANDARDS	GDK 02/13
TITLE	129-1195-2		NO. 129-1195-2



		Park Warehouse			
SCALE	AS NOTED	REVISIONS		BY	DATE
DATE	11/15/02	UPDATED TO 700 SERIES STANDARDS		GDK	02/13
DR'N	R.A	CKD			
AP'VD					
TITLE				NO.	
129-1195-2				129-1195-2	



BOLT CLIP DETAIL

1.1/2" = 1'-0"

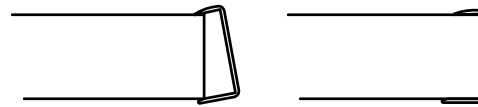


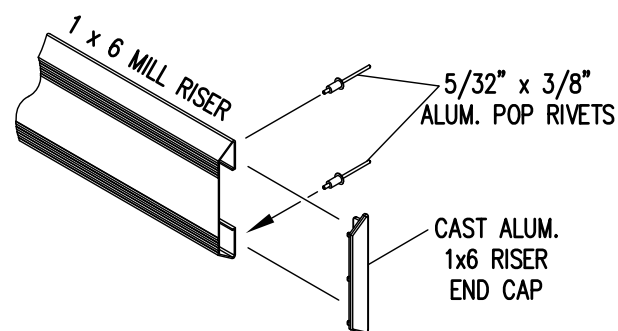
FIG.1

FIG.2

- 1) LOCATE THE CHANNEL END CAP AS SHOWN IN FIG. 1.
- 2) TAP END CAP INTO PLACE WITH RUBBER Mallet OR SOFT WOOD. FIG.2
- 3) DRILL 5/32" HOLES THROUGH THE BOTTOM FLANGE AND THE BOTTOM OUTSIDE PLANK FLANGES OF EACH PLANK. INSTALL 5/32" POP RIVETS.

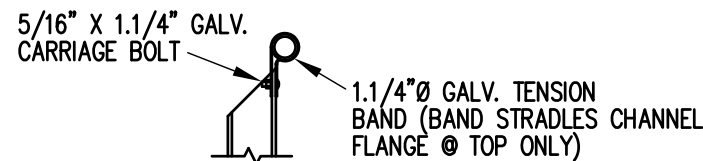
END CAP DETAIL

N.T.S.

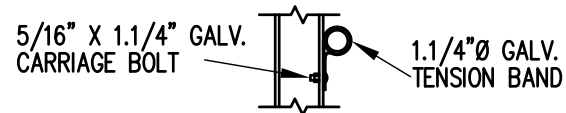


1 x 6 RISER END CAP

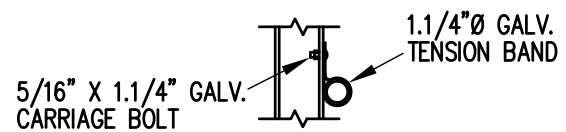
N.T.S.



TOP RAIL

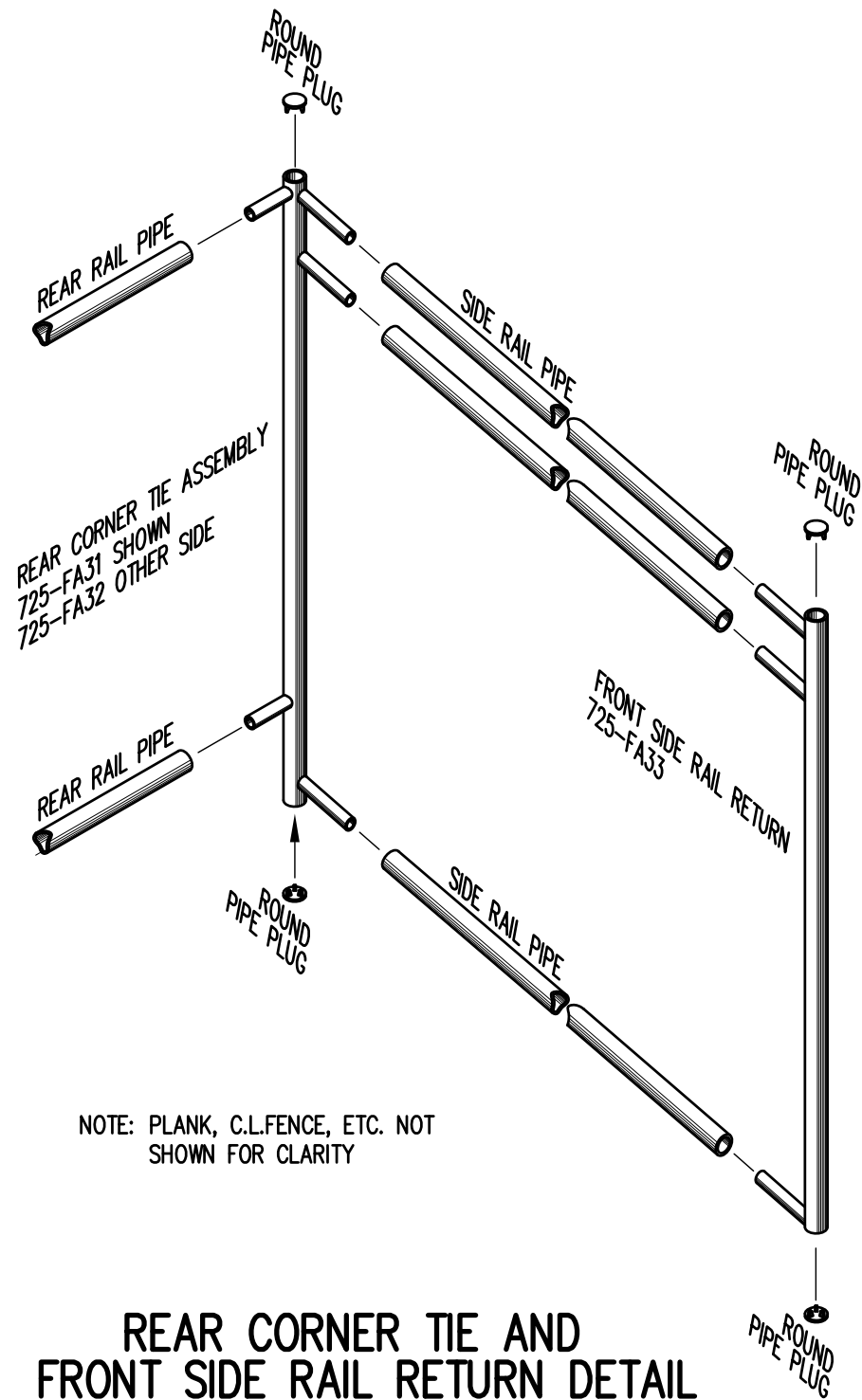


MID RAIL



LOWER RAIL

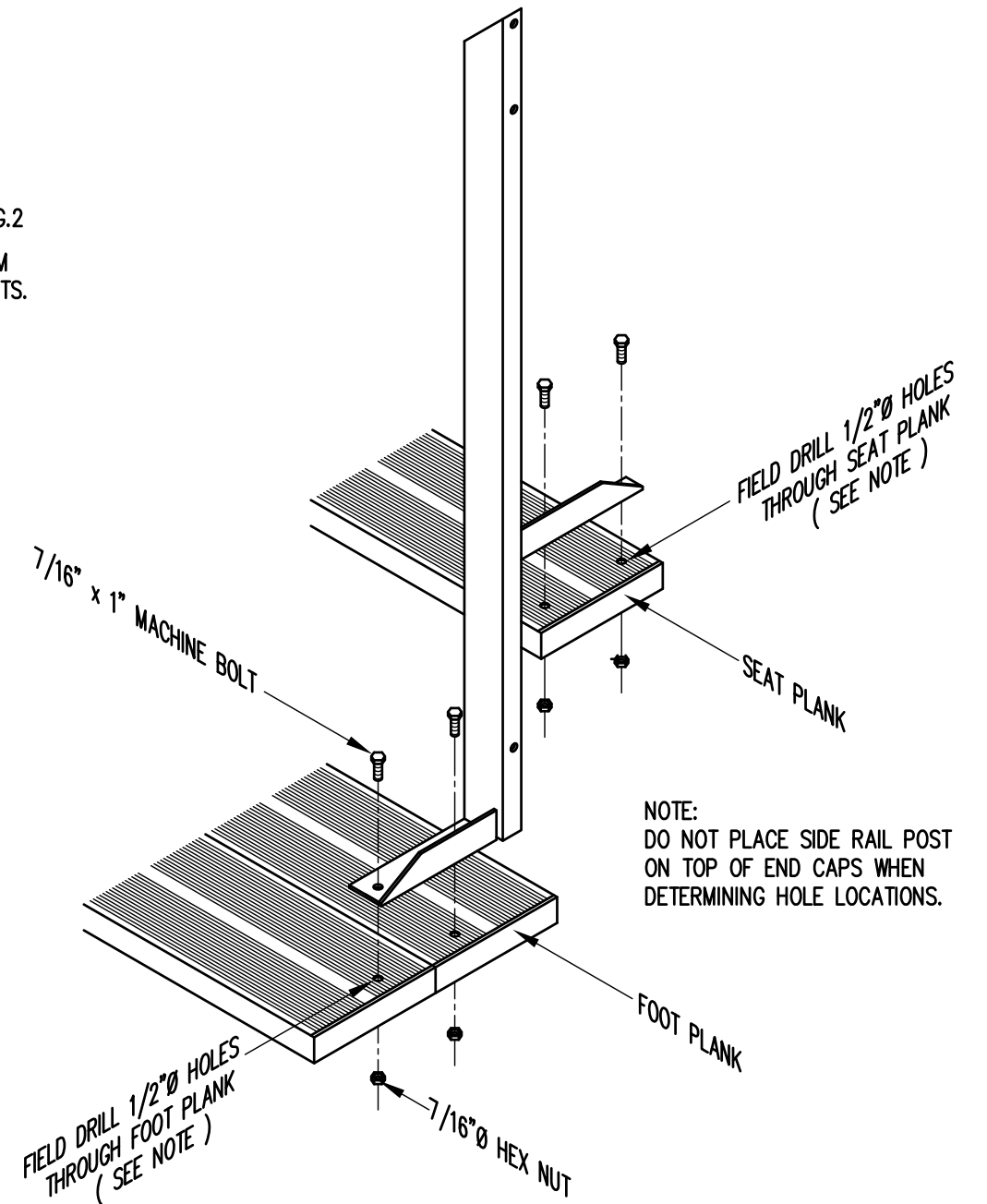
3/4" = 1'-0"



NOTE: PLANK, C.L.FENCE, ETC. NOT SHOWN FOR CLARITY

REAR CORNER TIE AND FRONT SIDE RAIL RETURN DETAIL

3/4" = 1'-0"



TYP. SIDE RAIL POST ATTACHMENT

1" = 1'-0"

		Park Warehouse	
SCALE	AS NOTED	REVISIONS	BY DATE
DATE	11/15/02	UPDATED TO 700 SERIES STANDARDS	GDK 02/13
DR'N	R.A CKD		
AP'VD			
TITLE	129-1195-2		NO. 129-1195-2