

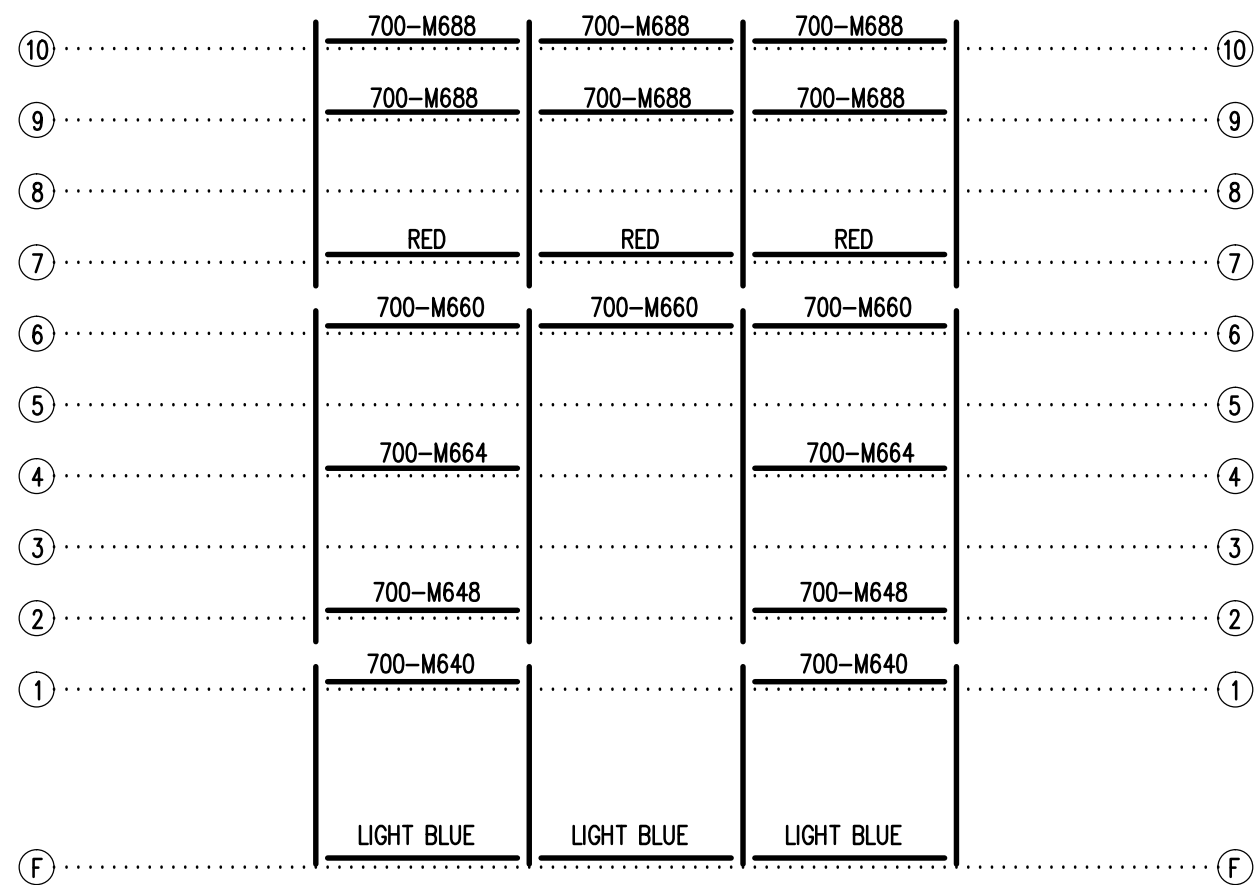
### SEATING PLAN

3/16" = 1'-0"  
 104 NET SEATS @ 18" PER SEAT

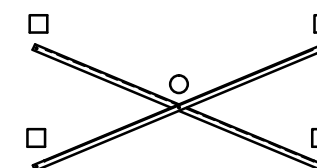
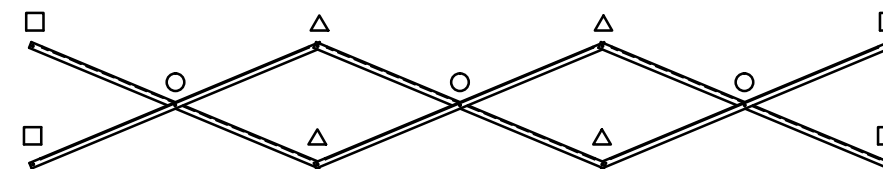


### Park Warehouse

SCALE	3/16"=1'-0"	REVISIONS	BY	DATE
DATE	12/2/02	UPDATED TO 700 SERIES STANDARDS	GDK	02/13
DR'N	R.A	CKD		
AP'VD				
TITLE	129-1195-1		NO.	129-1195-1



**FRAMING PLAN**  
3/16" = 1'-0"



**X-BRACE DETAIL**

N.T.S.

**X-BRACE LINE ⑥**

- 7/16" X 1" GALV. MACH. BOLT
- △ 7/16" X 1.1/2" GALV. MACH. BOLT
- 7/16" X 1" GALV. MACH. BOLT

**X-BRACE LINE ① ② ④ ⑦ ⑨**

- 7/16" X 1" GALV. MACH. BOLT
- △ 7/16" X 3" GALV. MACH. BOLT
- 7/16" X 3" GALV. MACH. BOLT

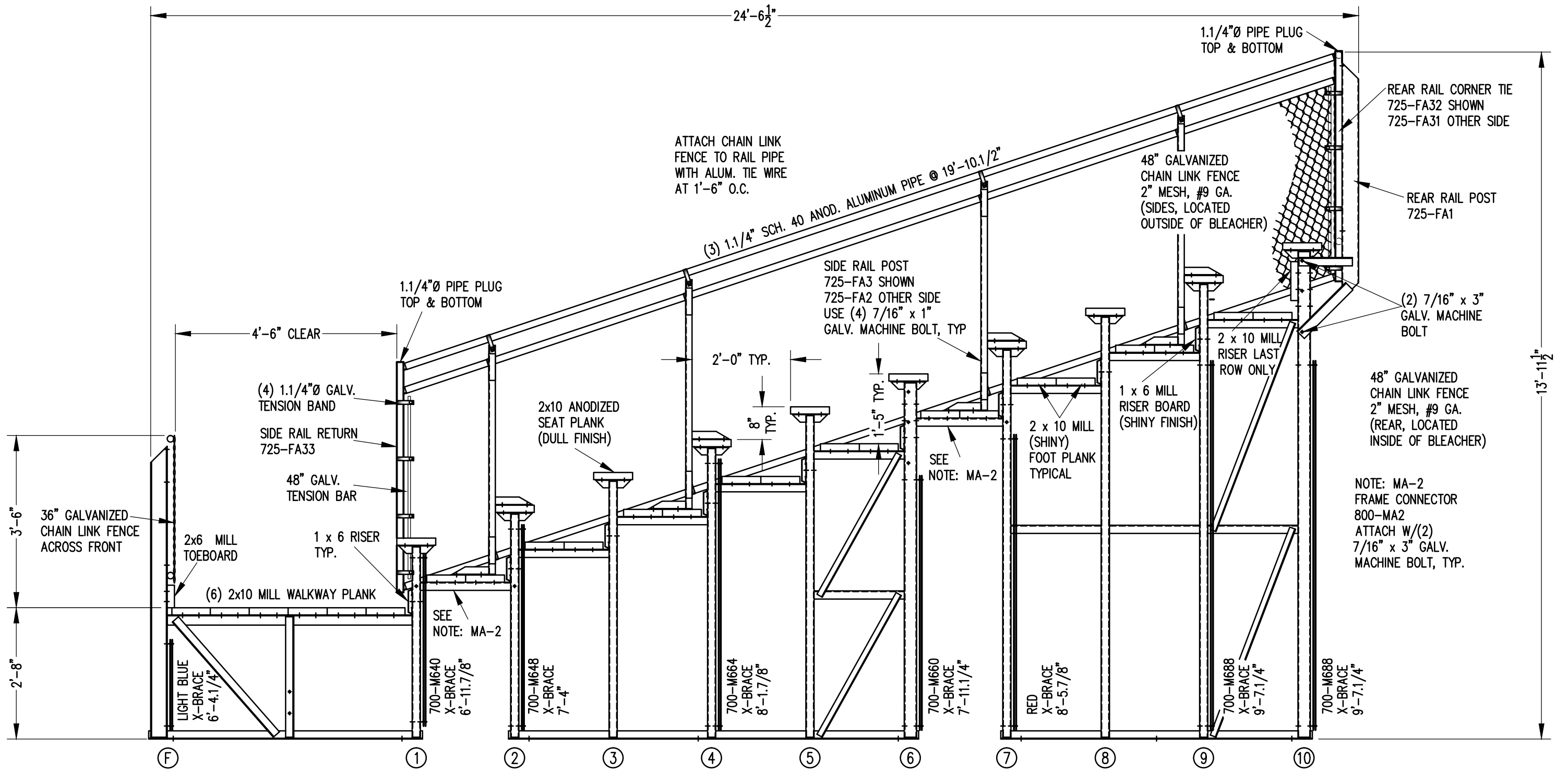
**X-BRACE LINE ⑥ ⑩**

- 7/16" X 1" GALV. MACH. BOLT
- △ 7/16" X 4" GALV. MACH. BOLT
- 7/16" X 4" GALV. MACH. BOLT




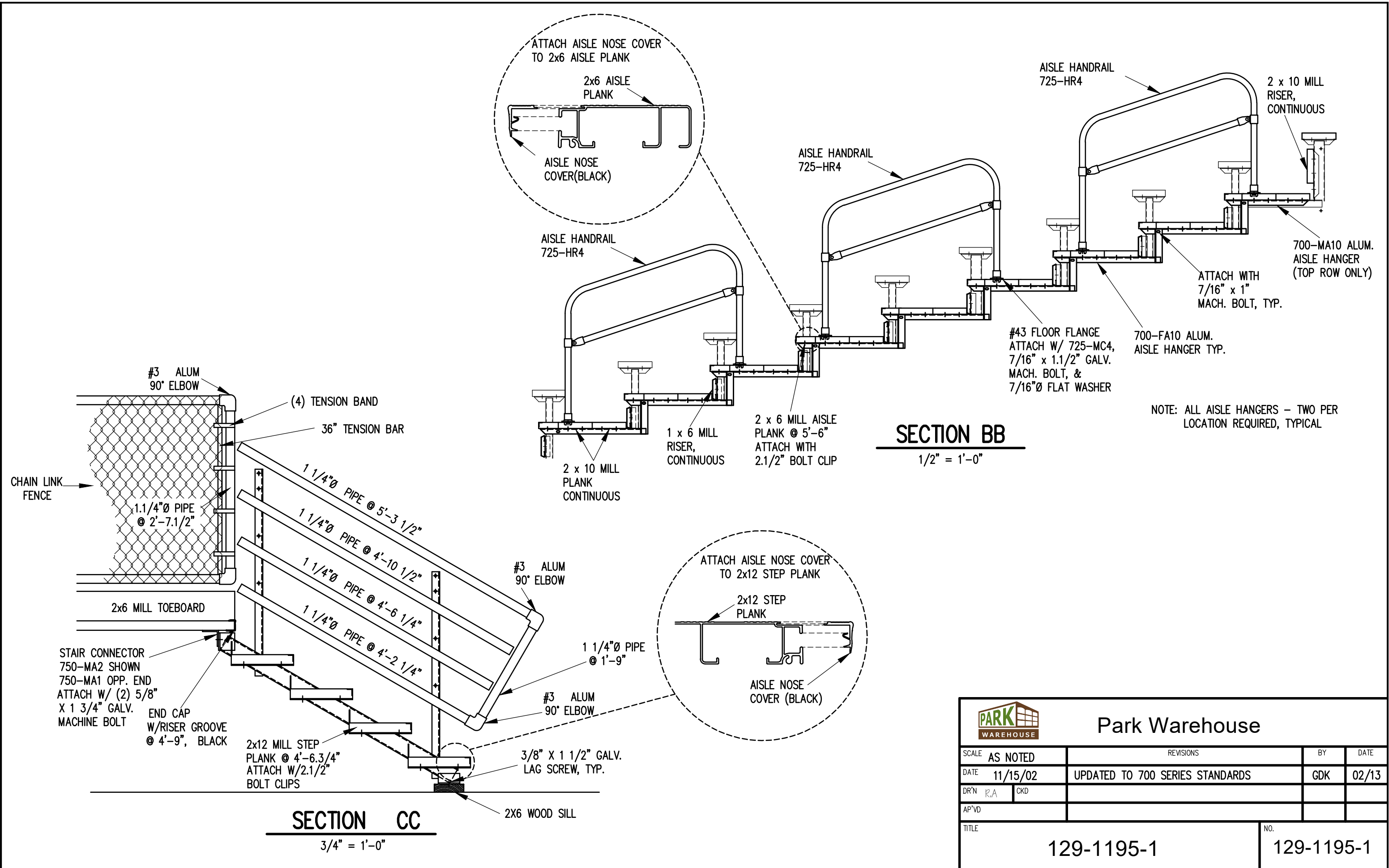
**Park Warehouse**


SCALE 3/16"=1'-0"	REVISIONS	BY	DATE
DATE 12/4/02	UPDATED TO 700 SERIES STANDARDS	GDK	02/13
DR'N R.A	CKD		
AP'VD			
TITLE	129-1195-1		NO. 129-1195-1

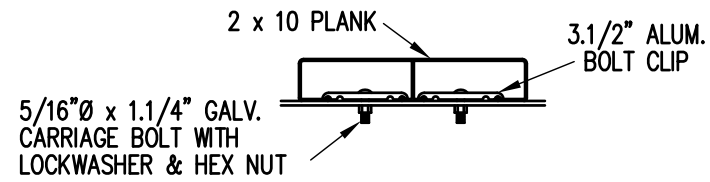


**SECTION AA**  
1/2" = 1'-0"

		<b>Park Warehouse</b>	
SCALE	1/2" = 1'-0"	REVISIONS	BY DATE
DATE	12/3/02	FOOTBOARD SUPPORT, FA17R2, FA23R1, MA2	RS 11/06
DR'N	R.A CKD	ADDED 1x6 RISER HOLES	WHW 11/09
AP'VD		UPDATED TO 700 SERIES STANDARDS	GDK 02/13
TITLE	129-1195-1		NO. 129-1195-1



		<b>Park Warehouse</b>			
SCALE	AS NOTED	REVISIONS		BY	DATE
DATE	11/15/02	UPDATED TO 700 SERIES STANDARDS		GDK	02/13
DR'N	R.A	CKD			
AP'VD					
TITLE				NO.	
129-1195-1				129-1195-1	



**BOLT CLIP DETAIL**

1.1/2" = 1'-0"

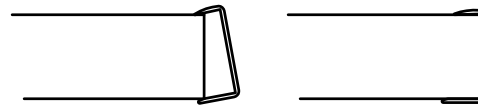


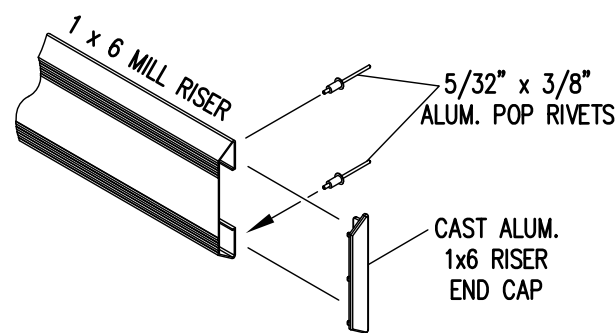
FIG.1

FIG.2

- 1) LOCATE THE CHANNEL END CAP AS SHOWN IN FIG. 1.
- 2) TAP END CAP INTO PLACE WITH RUBBER Mallet OR SOFT WOOD. FIG.2
- 3) DRILL 5/32" HOLES THROUGH THE BOTTOM FLANGE AND THE BOTTOM OUTSIDE PLANK FLANGES OF EACH PLANK. INSTALL 5/32" POP RIVETS.

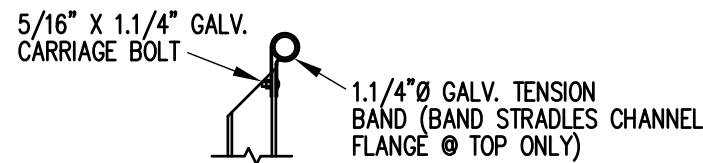
**END CAP DETAIL**

N.T.S.

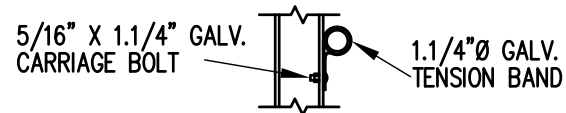


**1 x 6 RISER END CAP**

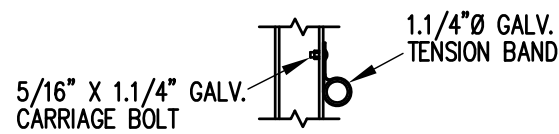
N.T.S.



**TOP RAIL**

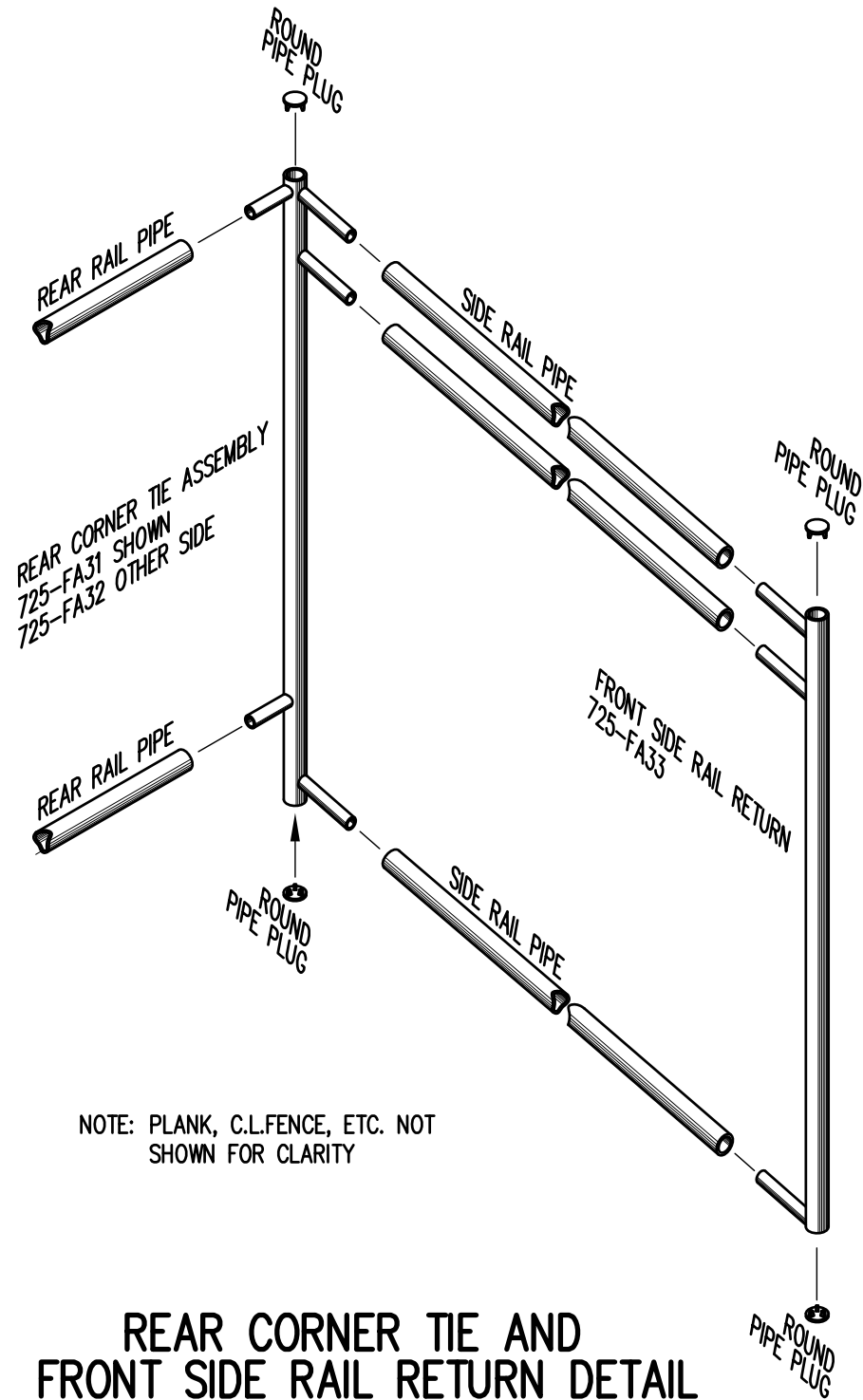


**MID RAIL**



**LOWER RAIL**

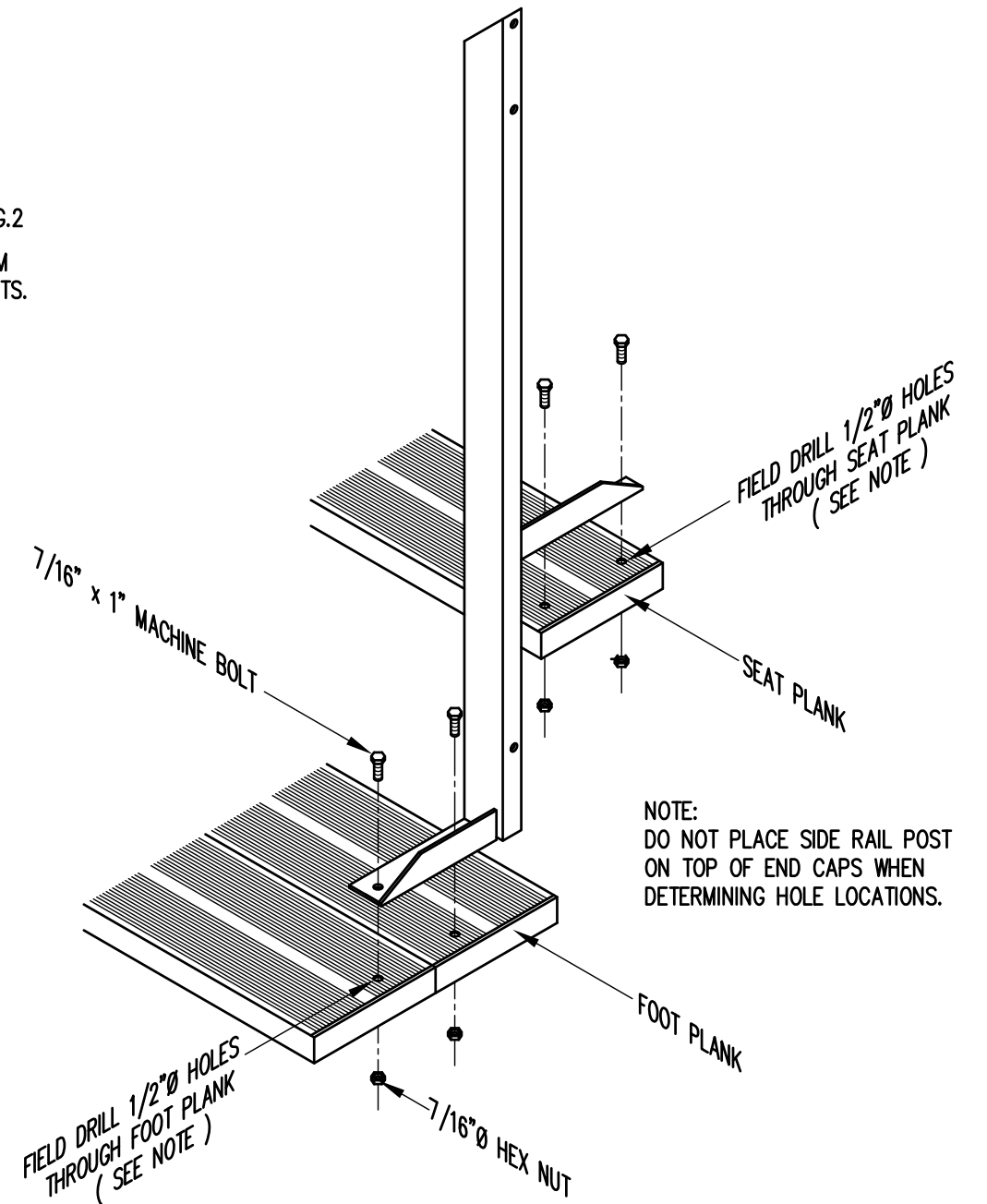
3/4" = 1'-0"



NOTE: PLANK, C.L.FENCE, ETC. NOT SHOWN FOR CLARITY

**REAR CORNER TIE AND FRONT SIDE RAIL RETURN DETAIL**

3/4" = 1'-0"



NOTE: DO NOT PLACE SIDE RAIL POST ON TOP OF END CAPS WHEN DETERMINING HOLE LOCATIONS.

**TYP. SIDE RAIL POST ATTACHMENT**

1" = 1'-0"

		<b>Park Warehouse</b>	
SCALE	AS NOTED	REVISIONS	BY DATE
DATE	11/15/02	UPDATED TO 700 SERIES STANDARDS	GDK 02/13
DR'N	R.A. CKD		
AP'VD			
TITLE	129-1195-1		NO. 129-1195-1