
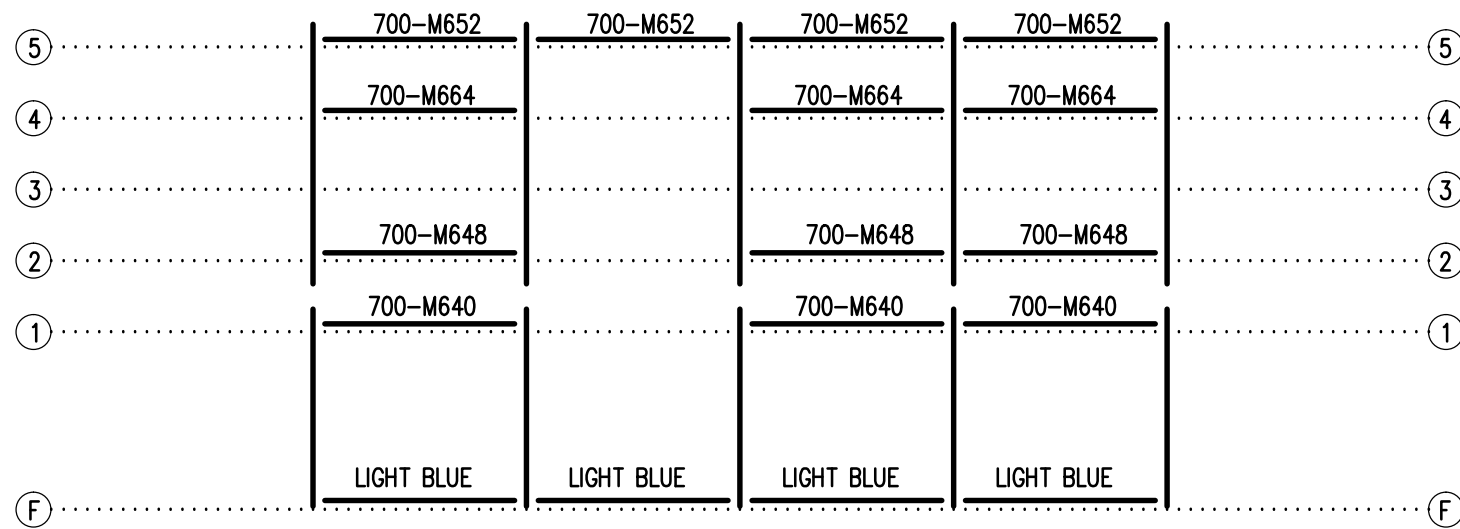


SEATING PLAN

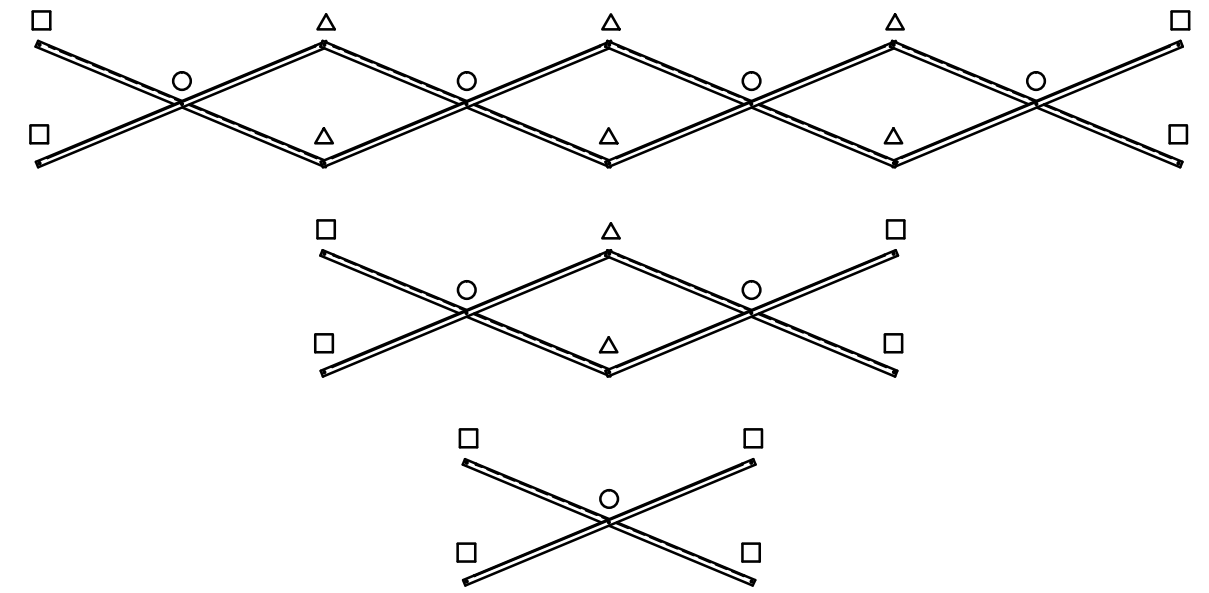
3/16" = 1'-0"
 74 NET SEATS @ 18" PER SEAT

		Park Warehouse	
SCALE	3/16"=1'-0"	REVISIONS	BY DATE
DATE	12/2/02	UPDATED TO 700 SERIES STANDARDS	GDK 02/13
DR'N	R.A	CKD	
AP'VD			
TITLE	129-1184-2		NO. 129-1184-2



1'-6" 6'-0" 6'-0" 6'-0" 6'-0" 1'-6" FRAME SPACING

FRAMING PLAN
3/16" = 1'-0"



X-BRACE DETAIL
N.T.S.

X-BRACE LINE (F)


- 7/16" X 1" GALV. MACH. BOLT
- △ 7/16" X 1.1/2" GALV. MACH. BOLT
- 7/16" X 1" GALV. MACH. BOLT

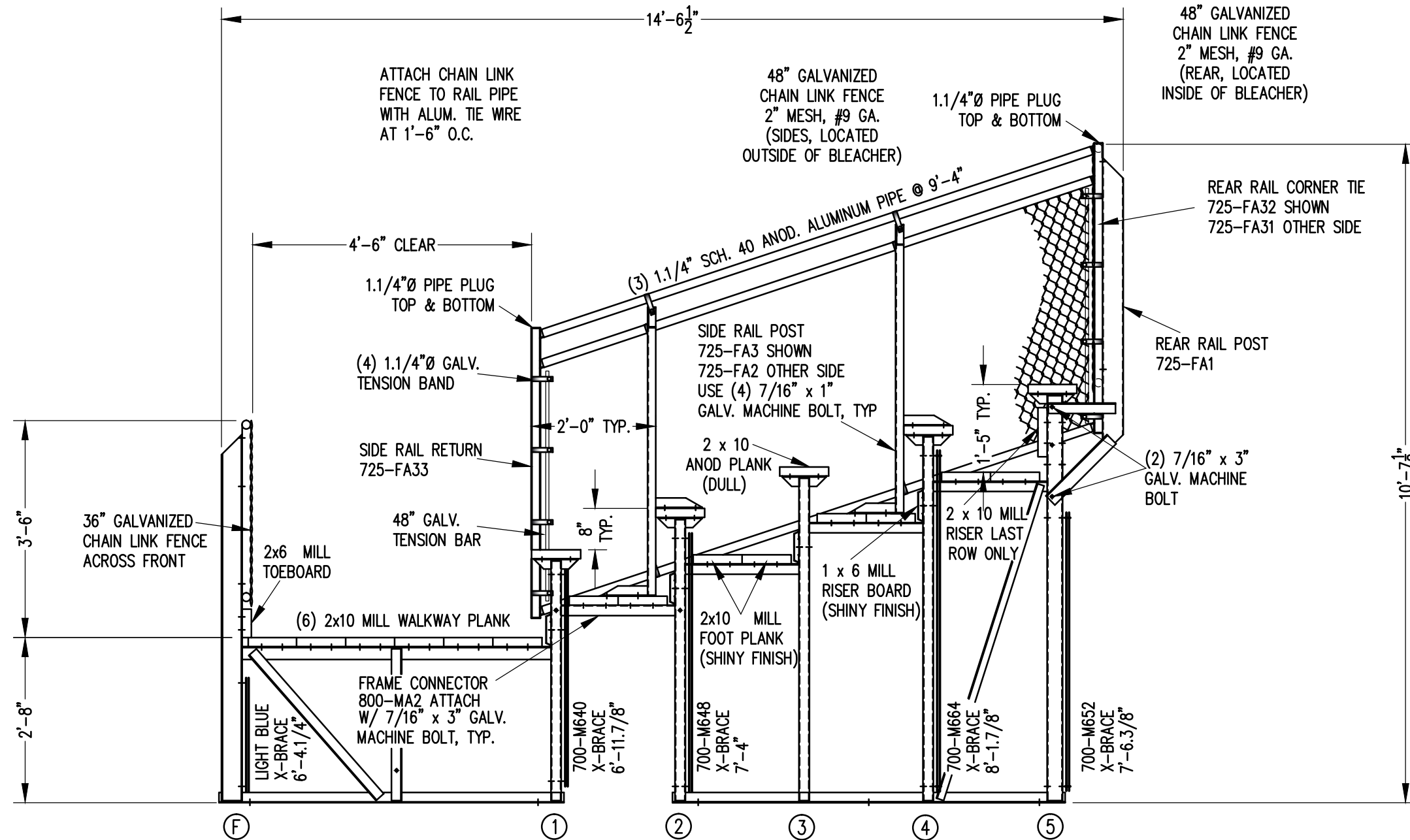
X-BRACE LINE (1) (2) (4)

- 7/16" X 1" GALV. MACH. BOLT
- △ 7/16" X 3" GALV. MACH. BOLT
- 7/16" X 3" GALV. MACH. BOLT

X-BRACE LINE (5)


- 7/16" X 1" GALV. MACH. BOLT
- △ 7/16" X 4" GALV. MACH. BOLT
- 7/16" X 4" GALV. MACH. BOLT

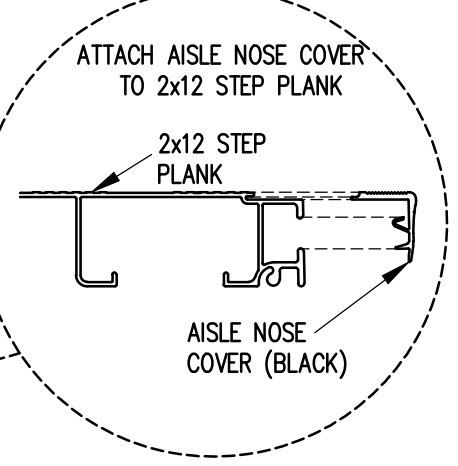
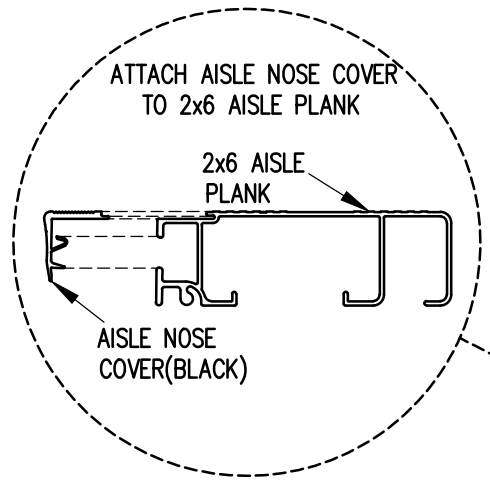
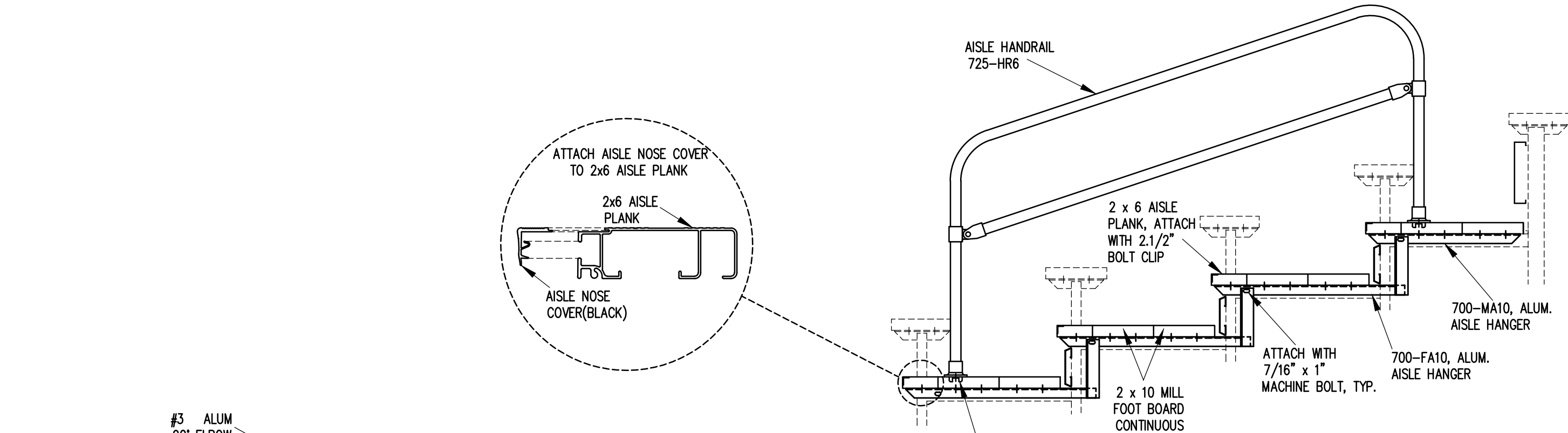
		Park Warehouse	
SCALE	3/16"=1'-0"	REVISIONS	BY DATE
DATE	12/4/02	UPDATED TO 700 SERIES STANDARDS	GDK 02/13
DR'N	R.A CKD		
AP'VD			
TITLE	129-1184-2		NO. 129-1184-2



SECTION AA

1/2" = 1'-0"

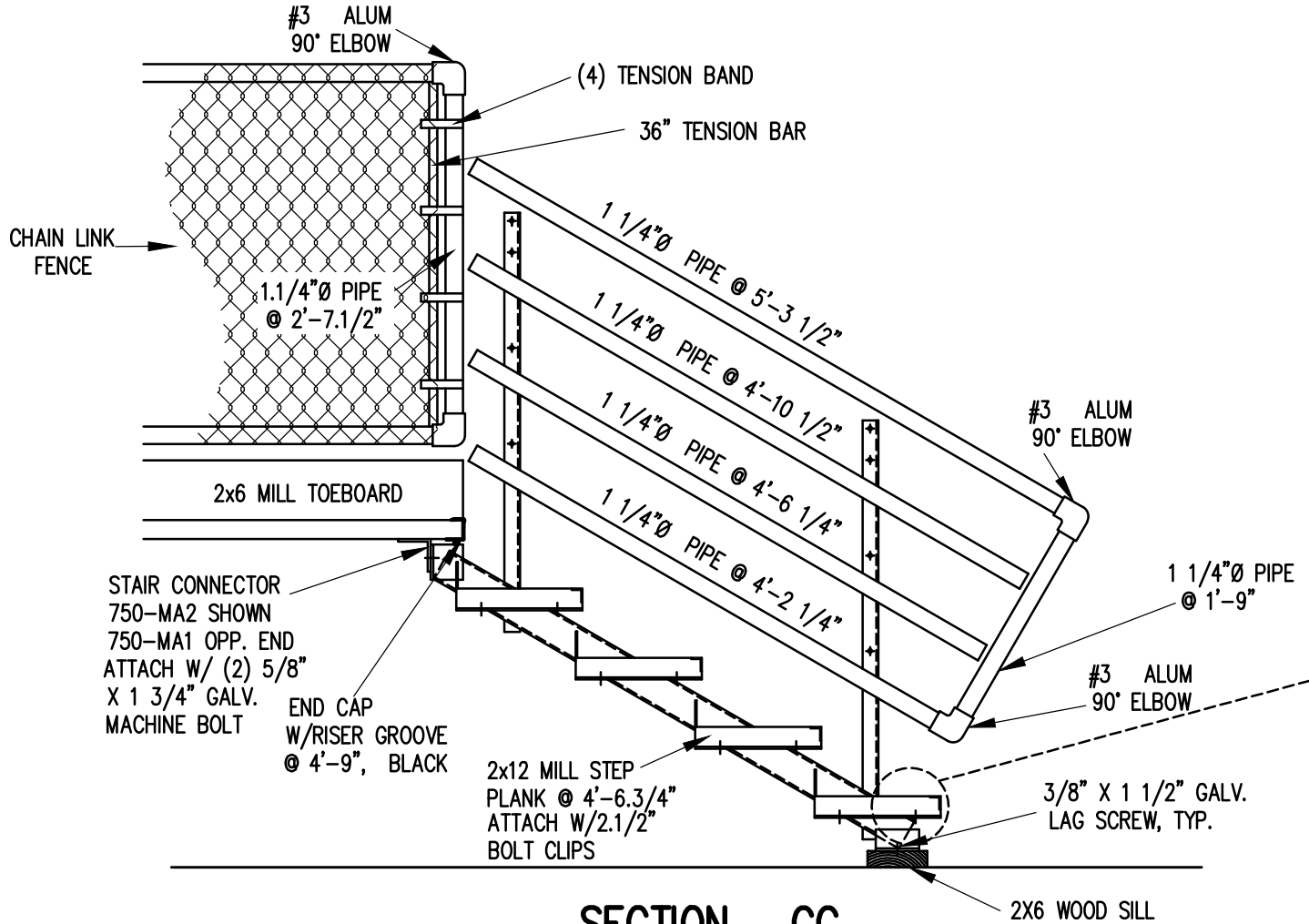
		<h2>Park Warehouse</h2>	
SCALE	1/2"=1'-0"	REVISIONS	BY DATE
DATE	12/2/02	FOOTBOARD SUPPORT,FA17R2,FA23R1,MA2	RS 11/06
DR'N	R.A CKD	ADDED 1x6 RISER HOLES	WHW 11/09
AP'VD		UPDATED TO 700 SERIES STANDARDS	GDK 02/13
TITLE	129-1184-2		NO. 129-1184-2



NOTE: ALL AISLE HANGERS – TWO PER LOCATION REQUIRED, TYPICAL

SECTION BB

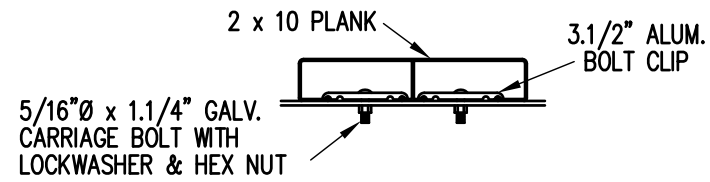
3/4" = 1'-0"



SECTION CC

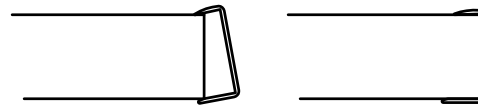
3/4" = 1'-0"

		Park Warehouse	
SCALE	3/4"=1'-0"	REVISIONS	BY DATE
DATE	11/15/02	UPDATED TO 700 SERIES STANDARDS	GDK 02/13
DR'N	RA CKD		
AP'VD			
TITLE	129-1184-2		NO. 129-1184-2



BOLT CLIP DETAIL

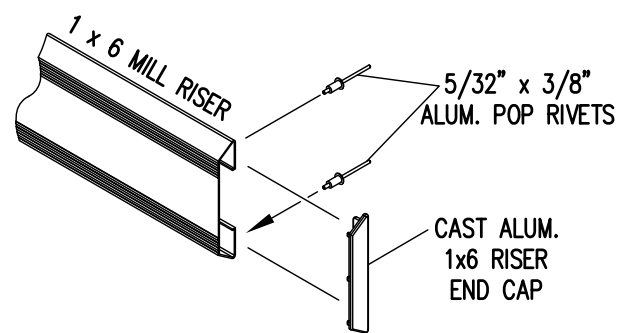
1.1/2" = 1'-0"



- 1) LOCATE THE CHANNEL END CAP AS SHOWN IN FIG. 1.
- 2) TAP END CAP INTO PLACE WITH RUBBER Mallet OR SOFT WOOD. FIG.2
- 3) DRILL 5/32" HOLES THROUGH THE BOTTOM FLANGE AND THE BOTTOM OUTSIDE PLANK FLANGES OF EACH PLANK. INSTALL 5/32" POP RIVETS.

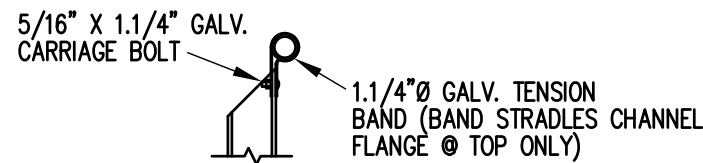
END CAP DETAIL

N.T.S.

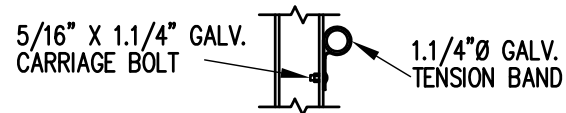


1 x 6 RISER END CAP

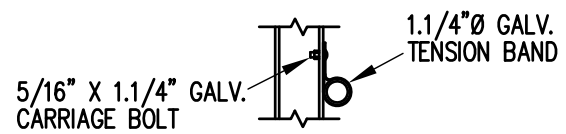
N.T.S.



TOP RAIL

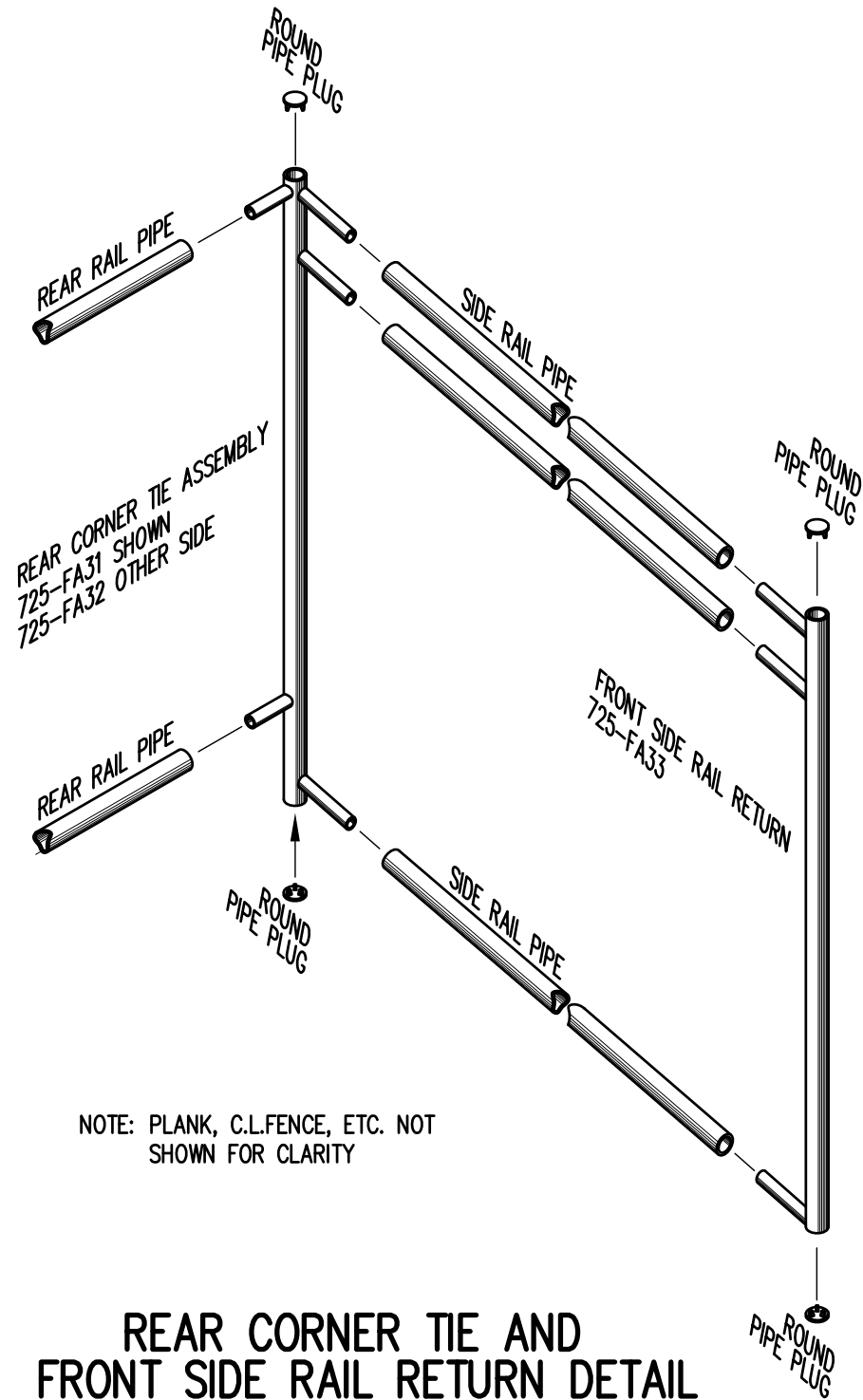


MID RAIL



LOWER RAIL

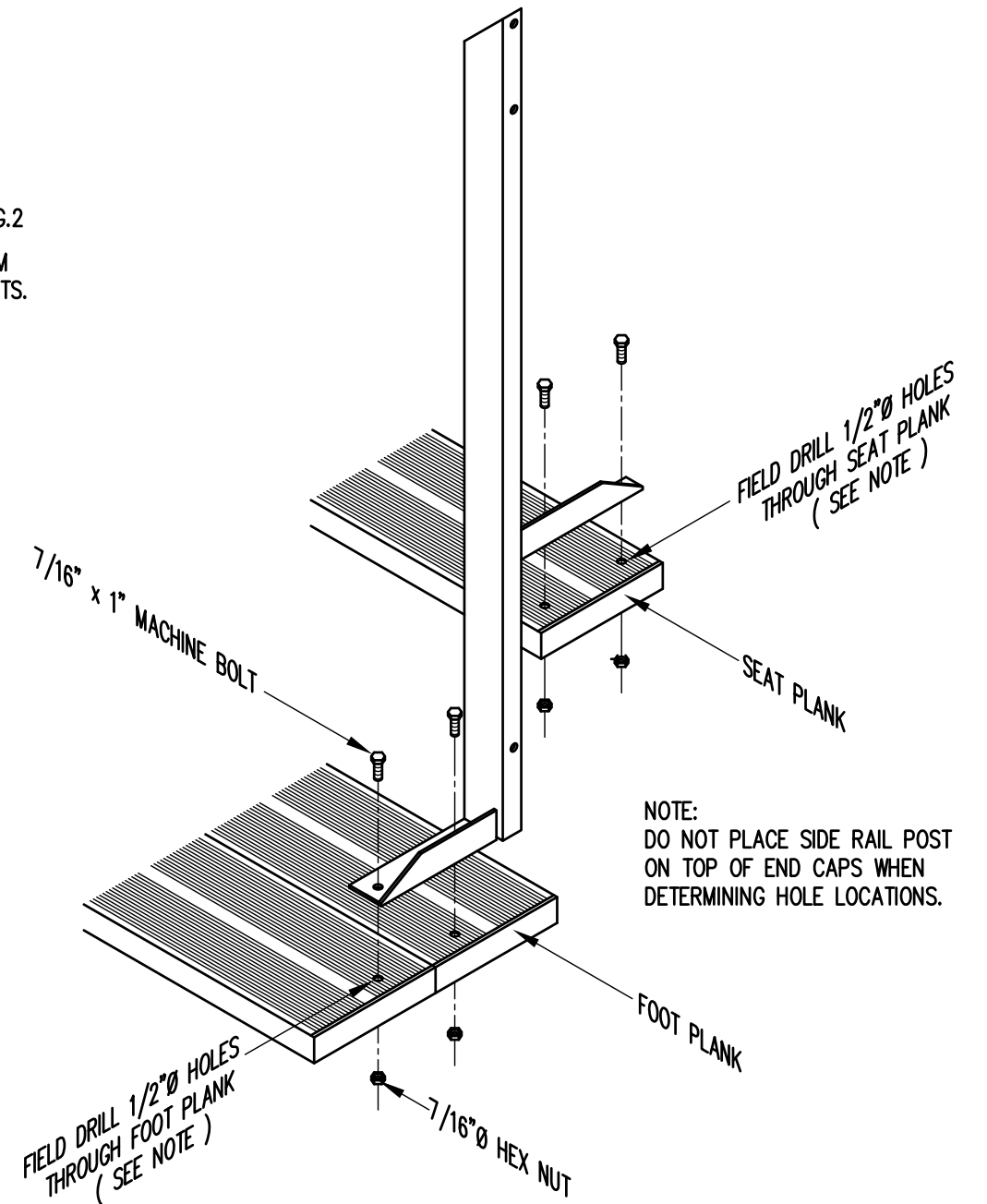
3/4" = 1'-0"



NOTE: PLANK, C.L.FENCE, ETC. NOT SHOWN FOR CLARITY

REAR CORNER TIE AND FRONT SIDE RAIL RETURN DETAIL

3/4" = 1'-0"



NOTE: DO NOT PLACE SIDE RAIL POST ON TOP OF END CAPS WHEN DETERMINING HOLE LOCATIONS.

TYP. SIDE RAIL POST ATTACHMENT

1" = 1'-0"

		Park Warehouse	
SCALE	AS NOTED	REVISIONS	BY DATE
DATE	11/15/02	UPDATED TO 700 SERIES STANDARDS	GDK 02/13
DR'N	R.A CKD		
AP'VD			
TITLE	129-1184-2		NO. 129-1184-2