
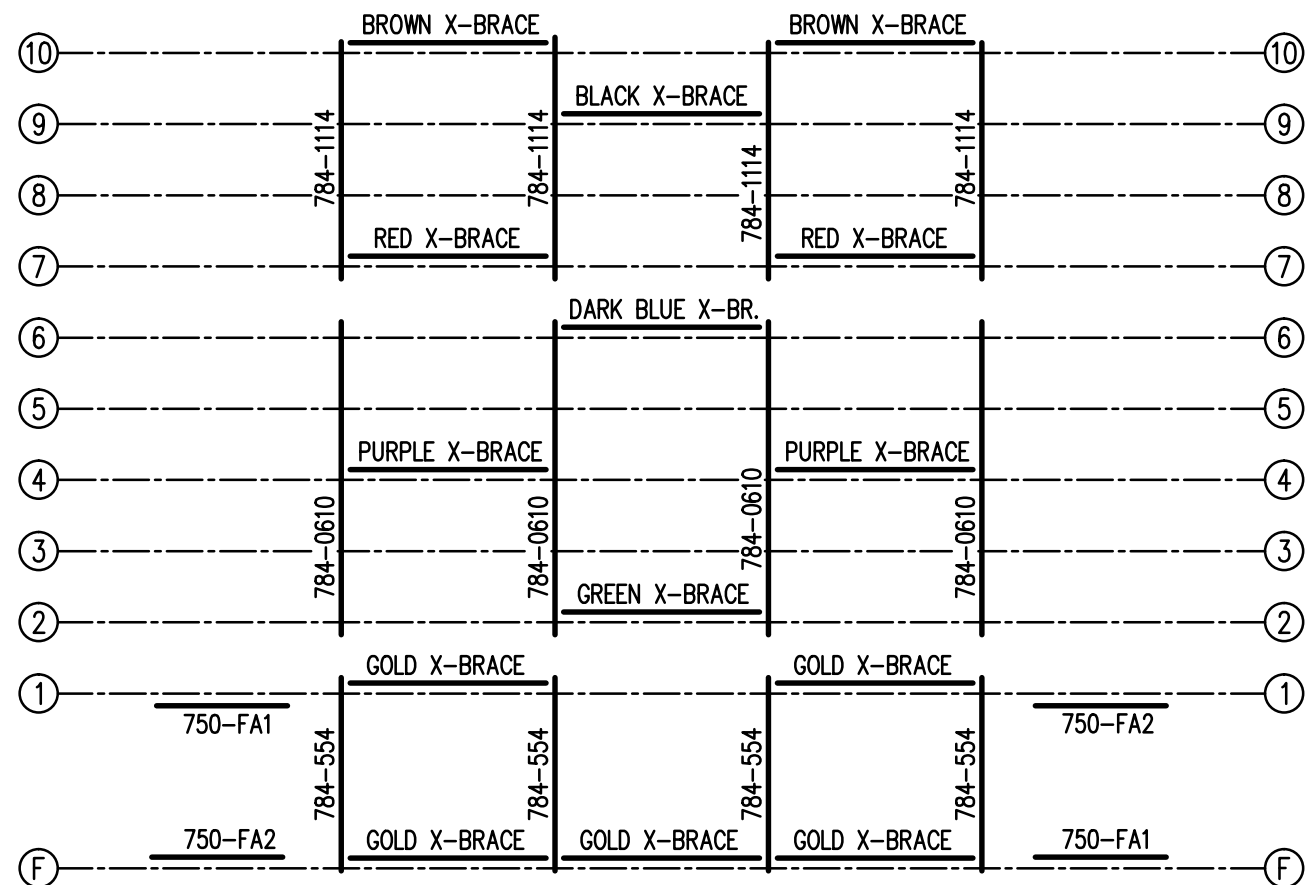


### SEATING PLAN

3/16" = 1'-0"

104 NET SEATS @ 18" PER SEAT

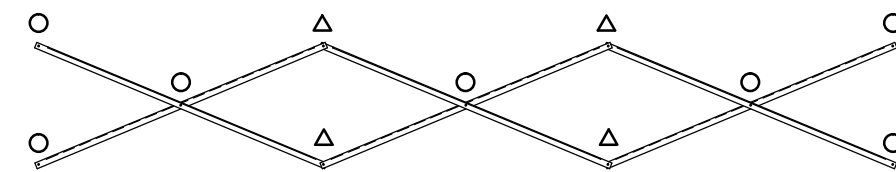
		<b>Park Warehouse</b>	
SCALE	3/16"=1'-0"	REVISIONS	BY DATE
DATE	11/2/11		
DR'N	CDK CKD		
AP'VD			
TITLE	129-1118-1		NO. 129-1118-1



1'-6"    6'-0"    6'-0"    6'-0"    1'-6" ... FRAME SPACING

### FRAMING PLAN


3/16" = 1'-0"

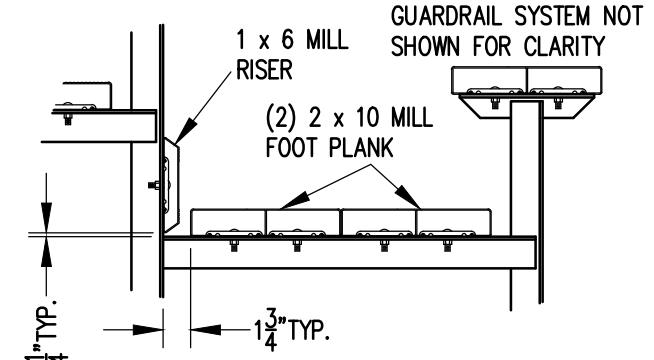
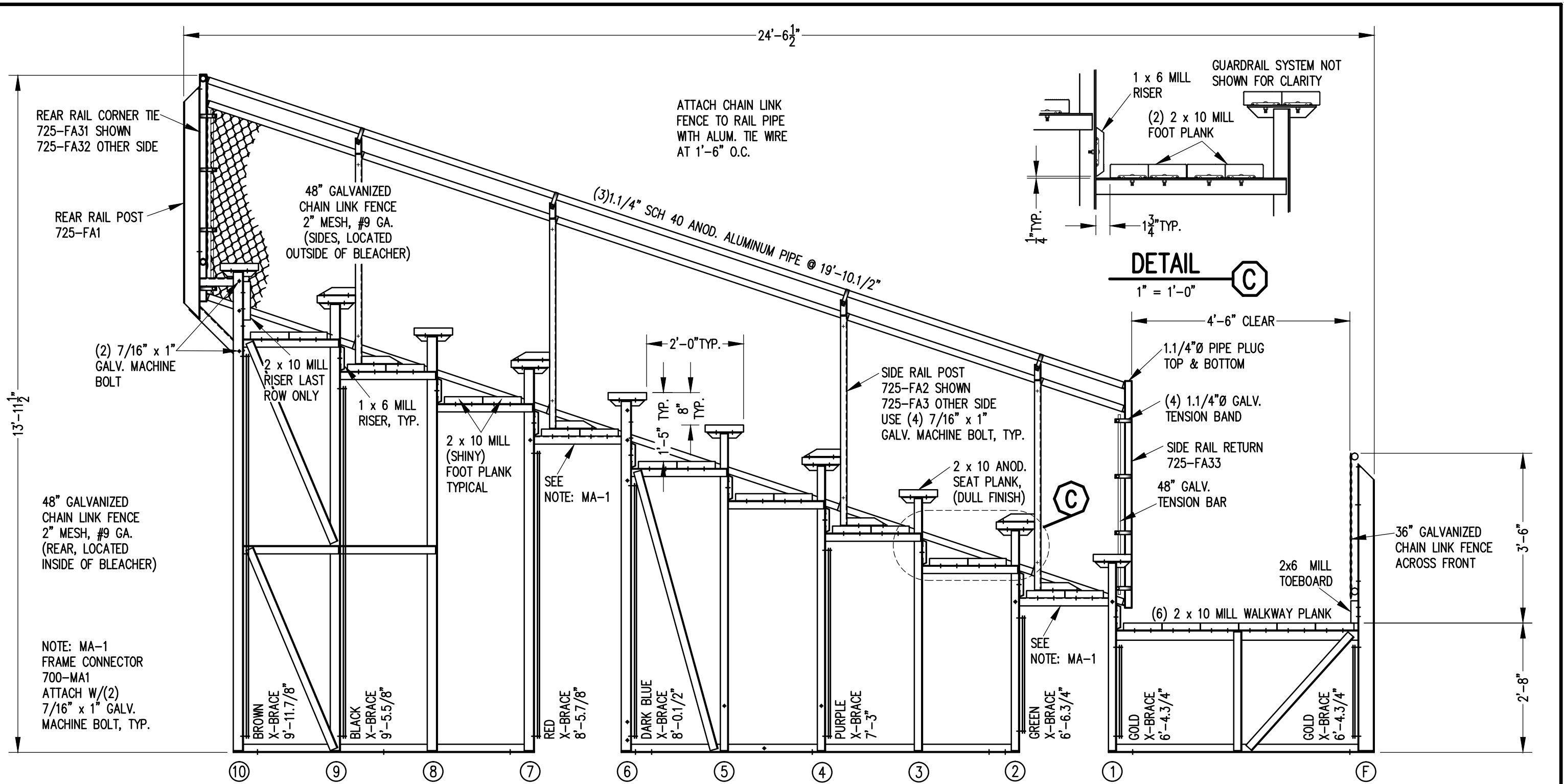


### X-BRACE DETAIL

N.T.S.


- 7/16" X 1" GALV. MACH. BOLT
- △ 7/16" X 1.1/2" GALV. MACH. BOLT

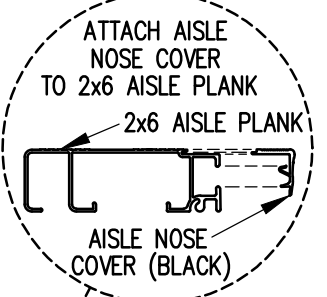
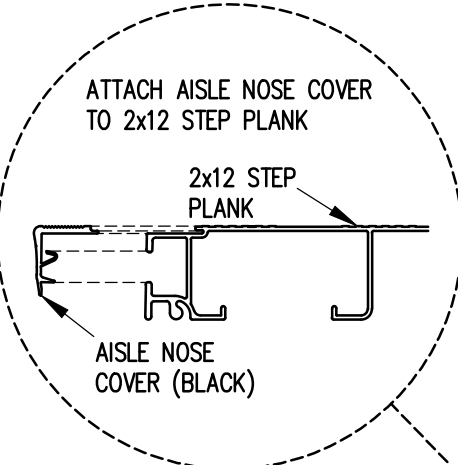
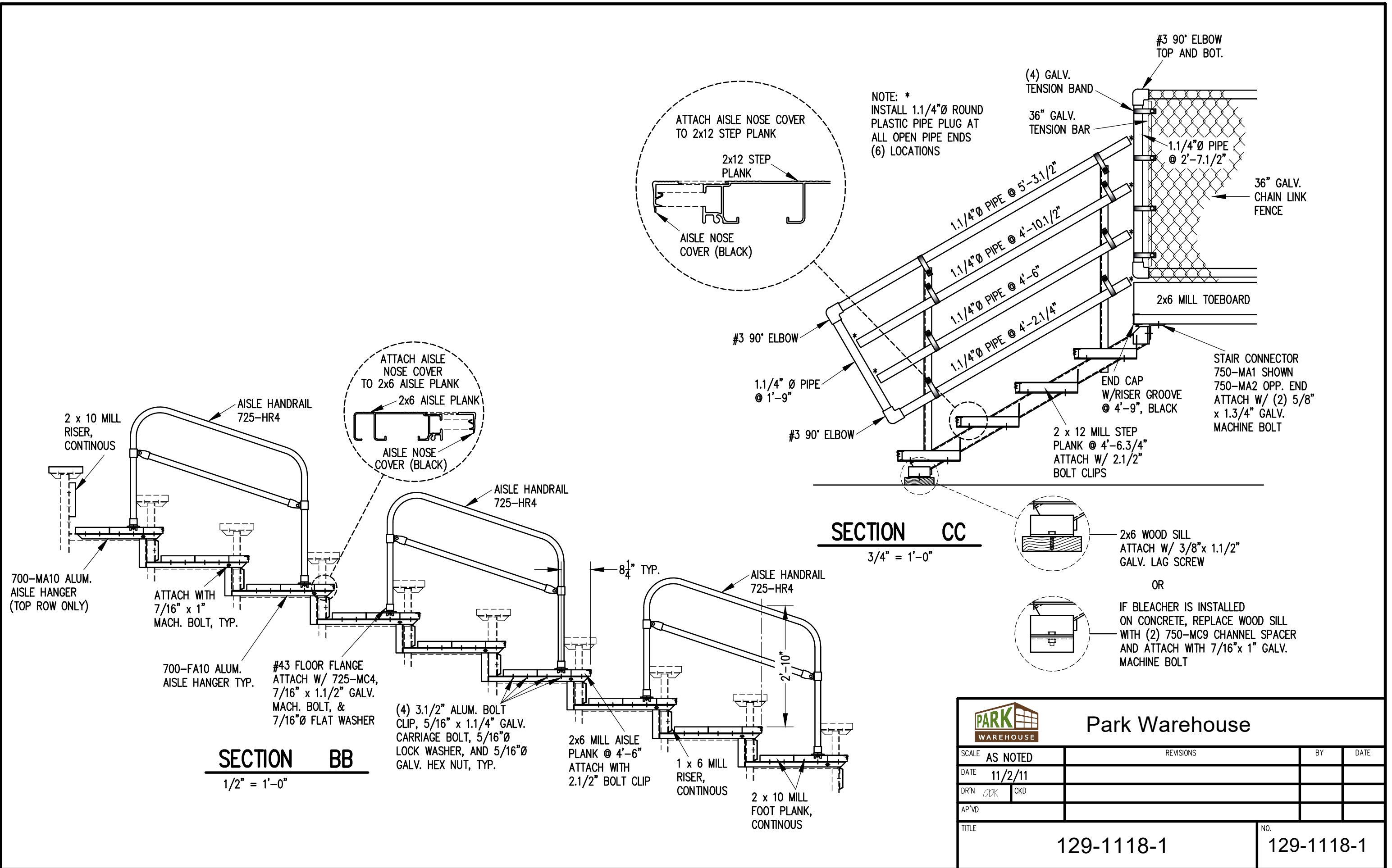
		<b>Park Warehouse</b>	
SCALE	AS NOTED	REVISIONS	BY DATE
DATE	11/2/11		
DR'N	CDK	CKD	
AP'VD			
TITLE	129-1118-1		NO. 129-1118-1



**DETAIL C**  
1" = 1'-0"

**SECTION AA**  
1/2" = 1'-0"

		<b>Park Warehouse</b>	
SCALE	1/2" = 1'-0"	REVISIONS	BY DATE
DATE	11/2/11		
DR'N	CDK CKD		
AP'VD			
TITLE	129-1118-1		NO. 129-1118-1



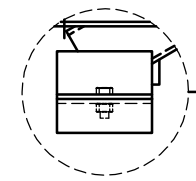
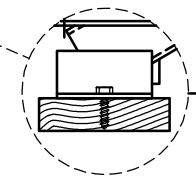
NOTE: \*  
INSTALL 1.1/4" Ø ROUND  
PLASTIC PIPE PLUG AT  
ALL OPEN PIPE ENDS  
(6) LOCATIONS

**SECTION CC**

3/4" = 1'-0"

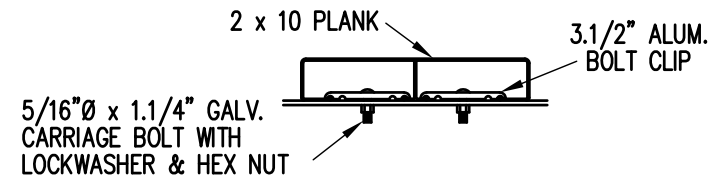
**SECTION BB**

1/2" = 1'-0"



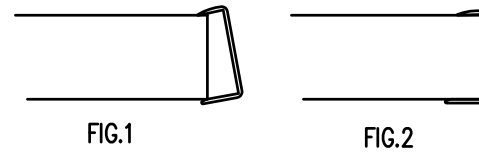
**Park Warehouse**

SCALE	AS NOTED	REVISIONS	BY	DATE
DATE	11/2/11			
DR'N	CDK	CKD		
AP'VD				
TITLE	129-1118-1		NO. 129-1118-1	



**BOLT CLIP DETAIL**

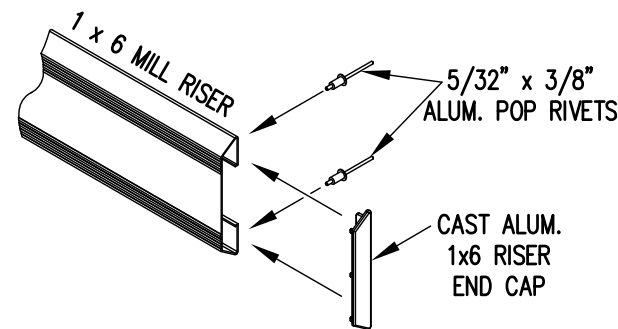
1.1/2" = 1'-0"



- 1) LOCATE THE CHANNEL END CAP AS SHOWN IN FIG. 1.
- 2) TAP END CAP INTO PLACE WITH RUBBER Mallet OR SOFT WOOD. FIG.2
- 3) DRILL 5/32" HOLES THROUGH THE BOTTOM FLANGE AND THE BOTTOM OUTSIDE PLANK FLANGES OF EACH PLANK. INSTALL 5/32" POP RIVETS.

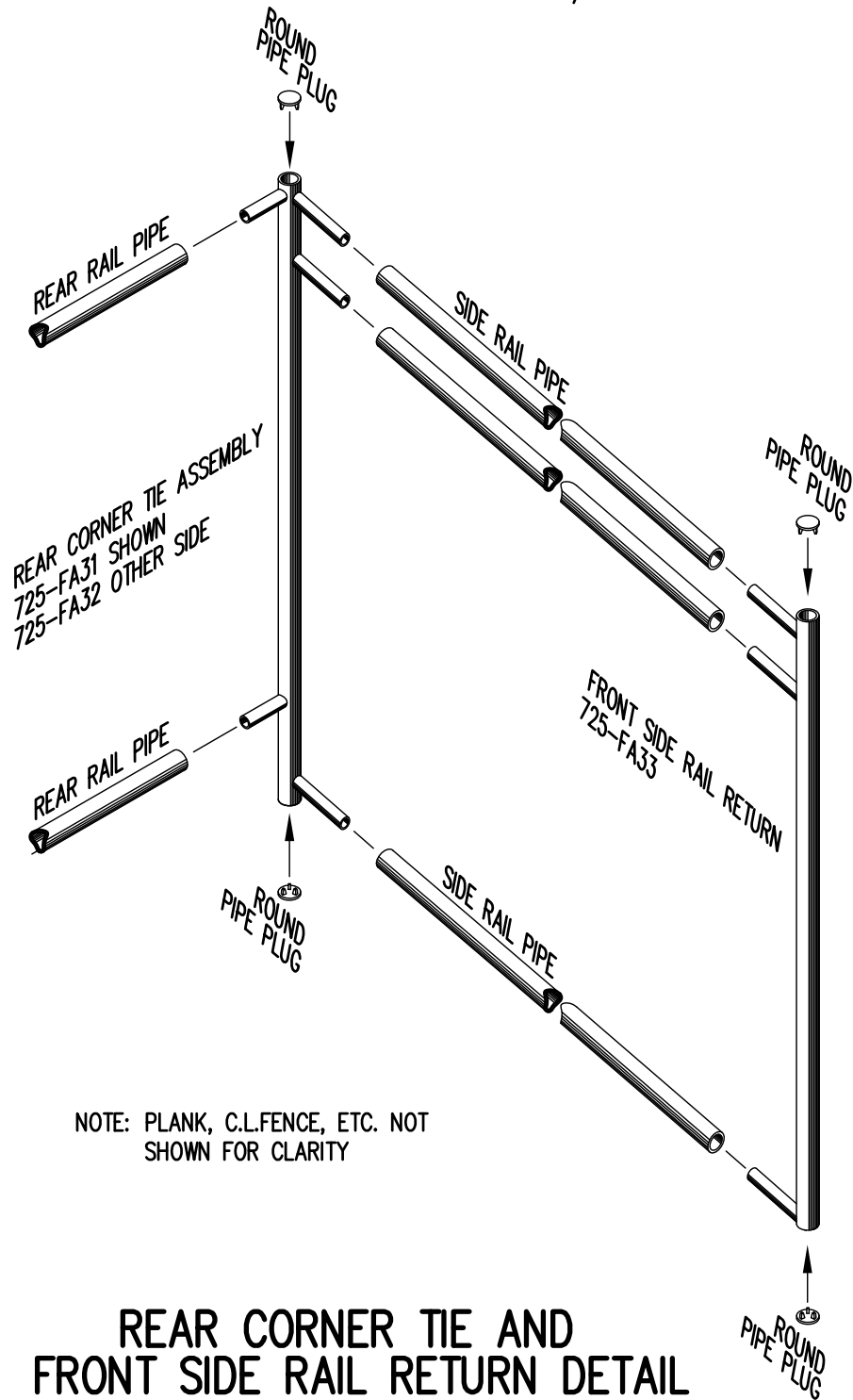
**END CAP DETAIL**

N.T.S.



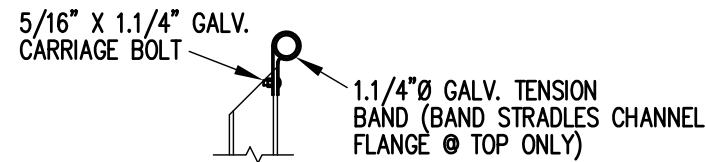
**1 x 6 RISER END CAP**

N.T.S.

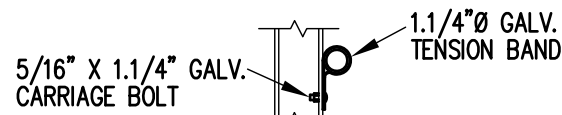


**REAR CORNER TIE AND FRONT SIDE RAIL RETURN DETAIL**

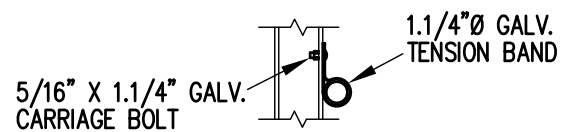
3/4" = 1'-0"



**TOP RAIL**

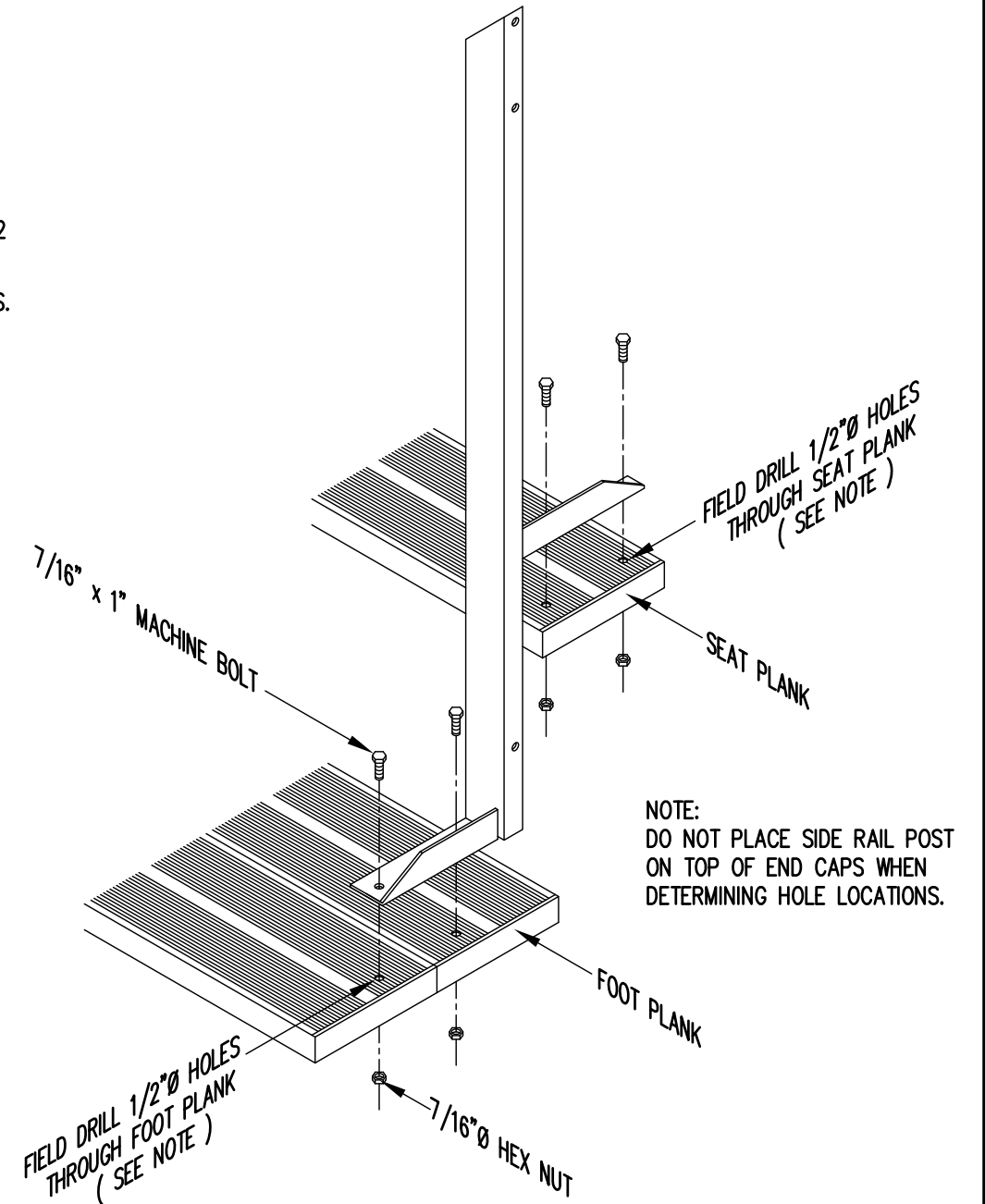


**2ND RAIL**



**BOTTOM RAIL**

**RAIL PIPE ATTACHMENT**



**TYP. SIDE RAIL POST ATTACHMENT**

1" = 1'-0"

		<b>Park Warehouse</b>	
SCALE	AS NOTED	REVISIONS	BY DATE
DATE	11/2/11		
DR'N	CDK CKD		
AP'VD			
TITLE	129-1118-1		NO. 129-1118-1