
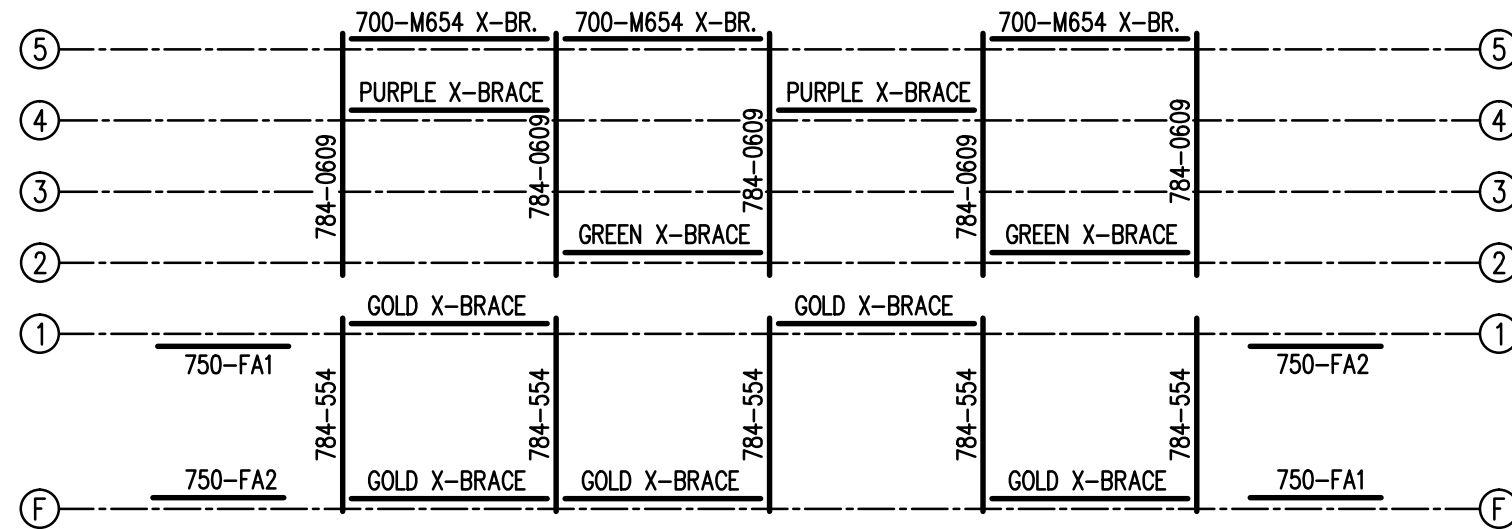


### SEATING PLAN

3/16" = 1'-0"

74 NET SEATS @ 18" PER SEAT

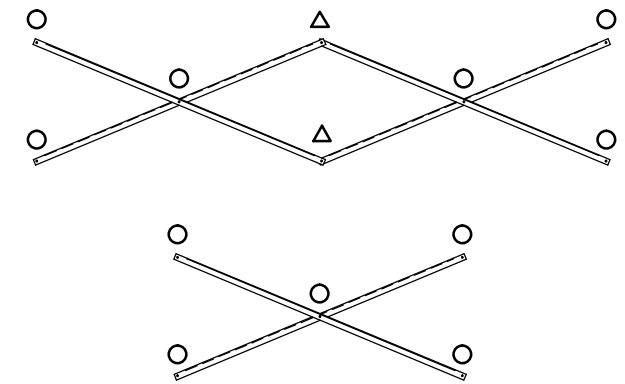
		<b>Park Warehouse</b>	
SCALE	3/16"=1'-0"	REVISIONS	BY DATE
DATE	11/2/11		
DR'N	CDK	CKD	
AP'VD			
TITLE	129-1115-2		NO. 129-1115-2



1'-6"    6'-0"    6'-0"    6'-0"    6'-0"    1'-6" . . . . . FRAME SPACING

**FRAMING PLAN**

3/16" = 1'-0"




**X-BRACE DETAIL**

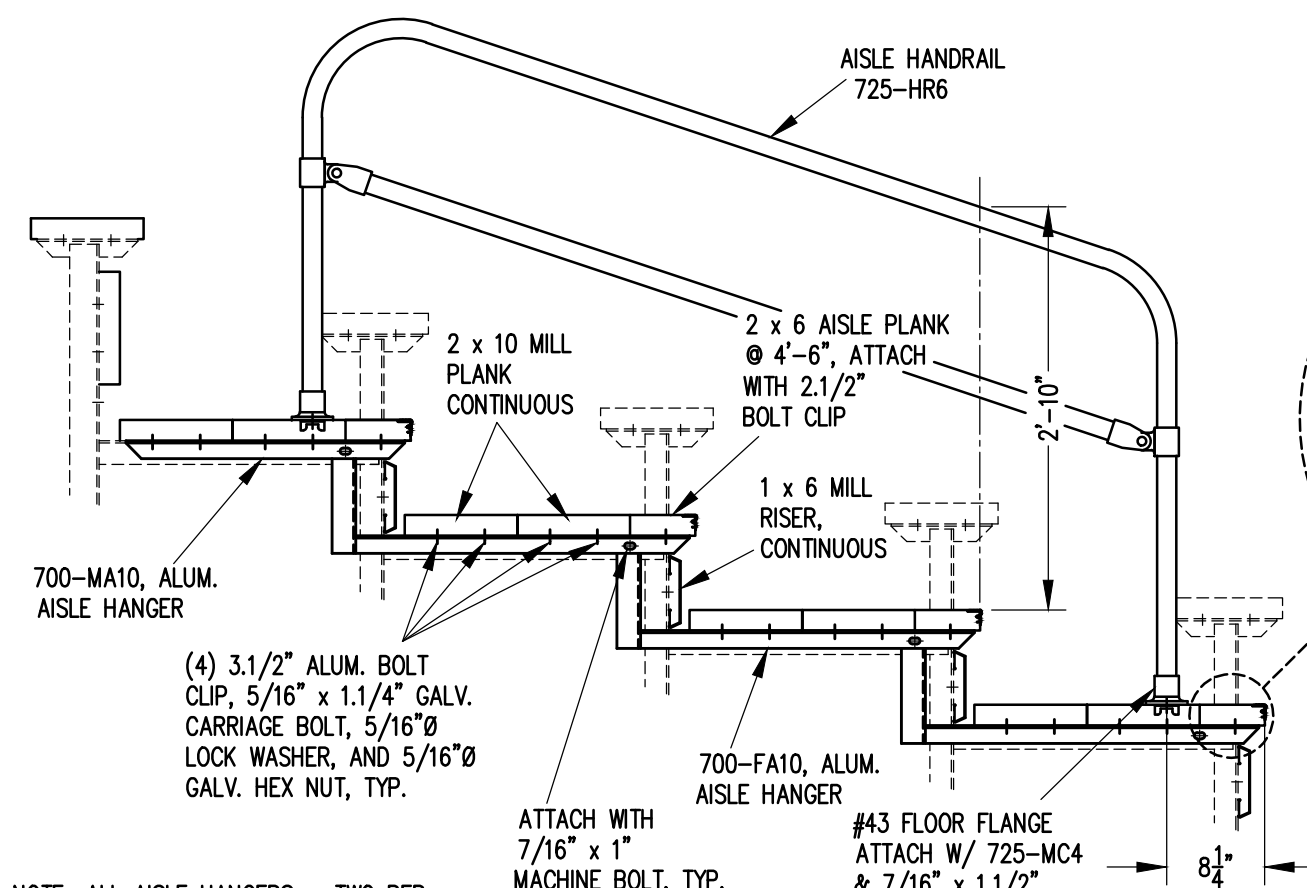
N.T.S.

○ 7/16" X 1" GALV. MACH. BOLT

△ 7/16" X 1.1/2" GALV. MACH. BOLT

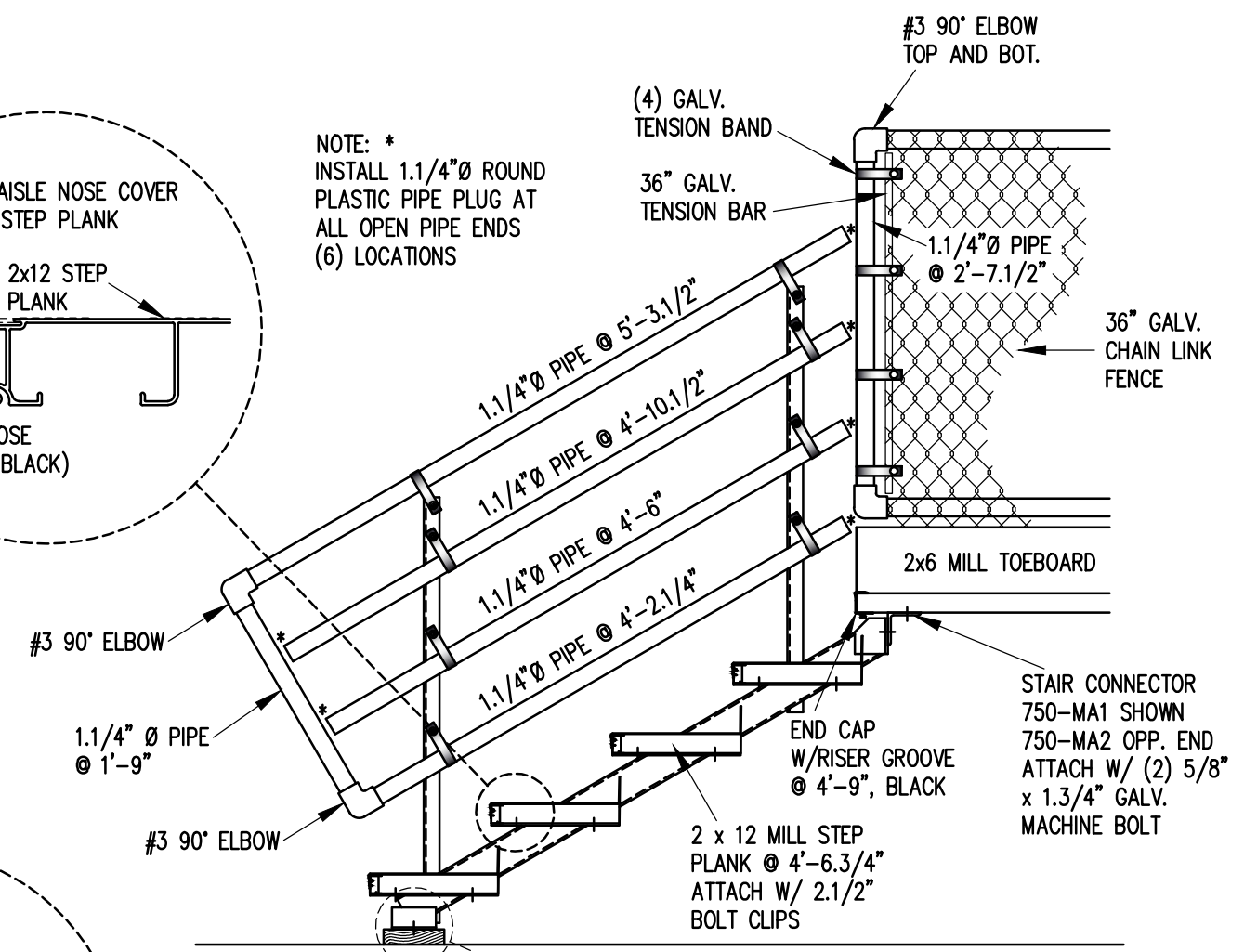
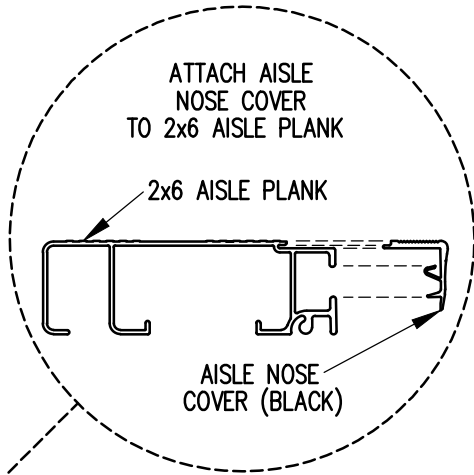
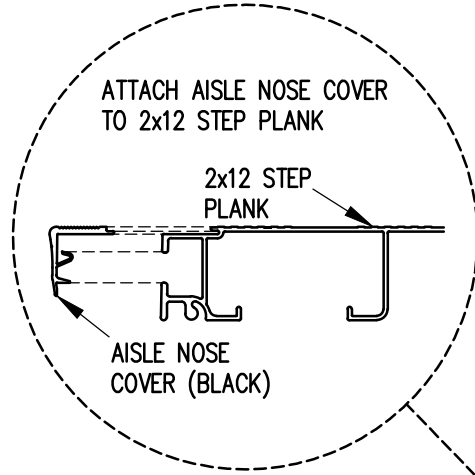
		<b>Park Warehouse</b>	
SCALE	AS NOTED	REVISIONS	BY DATE
DATE	11/2/11		
DR'N	CDK	CKD	
AP'VD			
TITLE	129-1115-2		NO. 129-1115-2





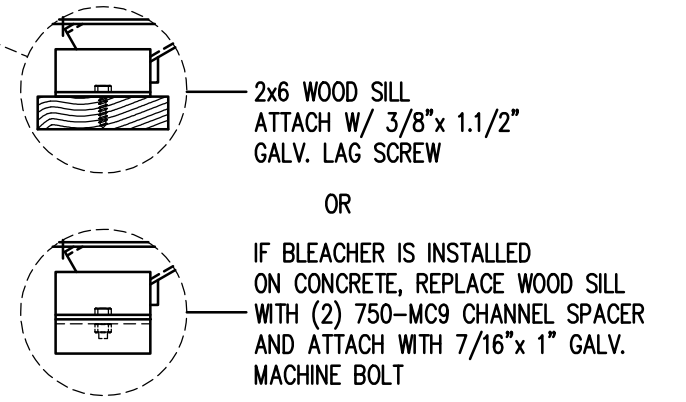
NOTE: ALL AISLE HANGERS - TWO PER LOCATION REQUIRED

**SECTION BB**  
3/4" = 1'-0"

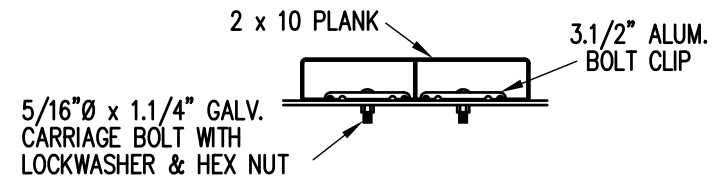


NOTE: \*  
INSTALL 1.1/4" Ø ROUND  
PLASTIC PIPE PLUG AT  
ALL OPEN PIPE ENDS  
(6) LOCATIONS

**SECTION CC**  
3/4" = 1'-0"



		<b>Park Warehouse</b>	
SCALE	3/4" = 1'-0"	REVISIONS	BY DATE
DATE	11/2/11		
DR'N	CDK	CKD	
AP'VD			
TITLE	129-1115-2		NO. 129-1115-2



**BOLT CLIP DETAIL**

1.1/2" = 1'-0"



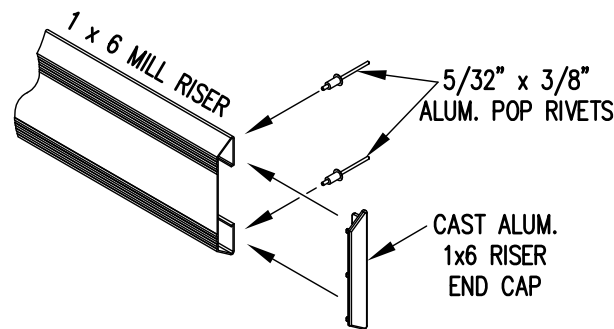
FIG.1

FIG.2

- 1) LOCATE THE CHANNEL END CAP AS SHOWN IN FIG. 1.
- 2) TAP END CAP INTO PLACE WITH RUBBER Mallet OR SOFT WOOD. FIG.2
- 3) DRILL 5/32" HOLES THROUGH THE BOTTOM FLANGE AND THE BOTTOM OUTSIDE PLANK FLANGES OF EACH PLANK. INSTALL 5/32" POP RIVETS.

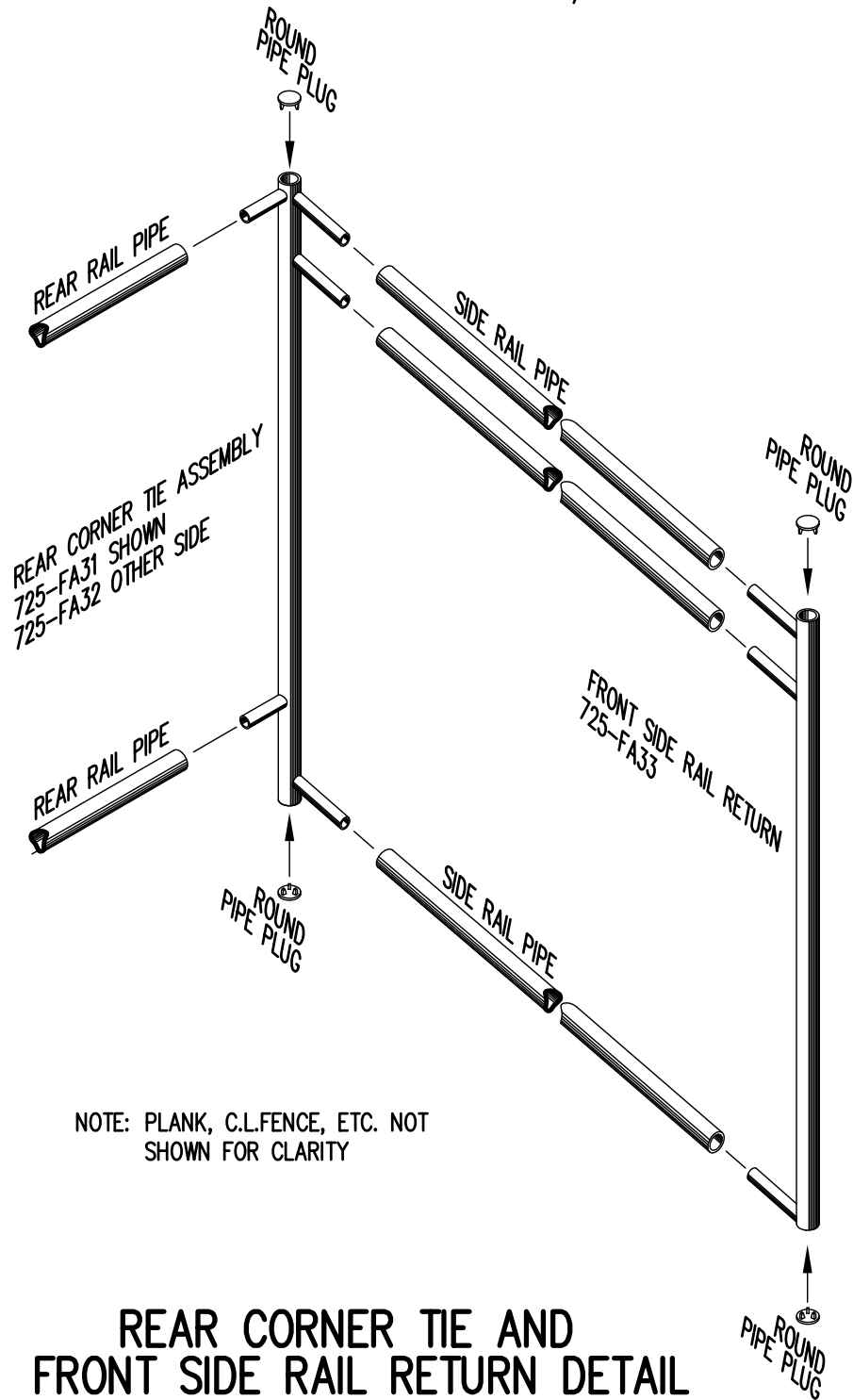
**END CAP DETAIL**

N.T.S.



**1 x 6 RISER END CAP**

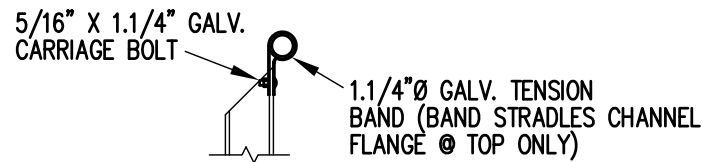
N.T.S.



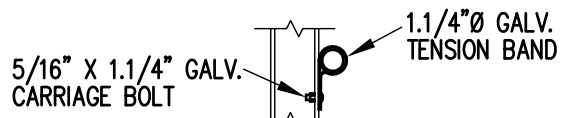
**REAR CORNER TIE AND FRONT SIDE RAIL RETURN DETAIL**

3/4" = 1'-0"

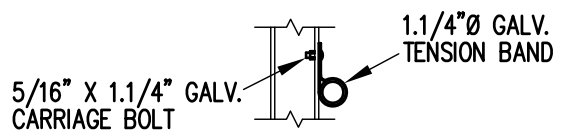
NOTE: PLANK, C.L.FENCE, ETC. NOT SHOWN FOR CLARITY



**TOP RAIL**

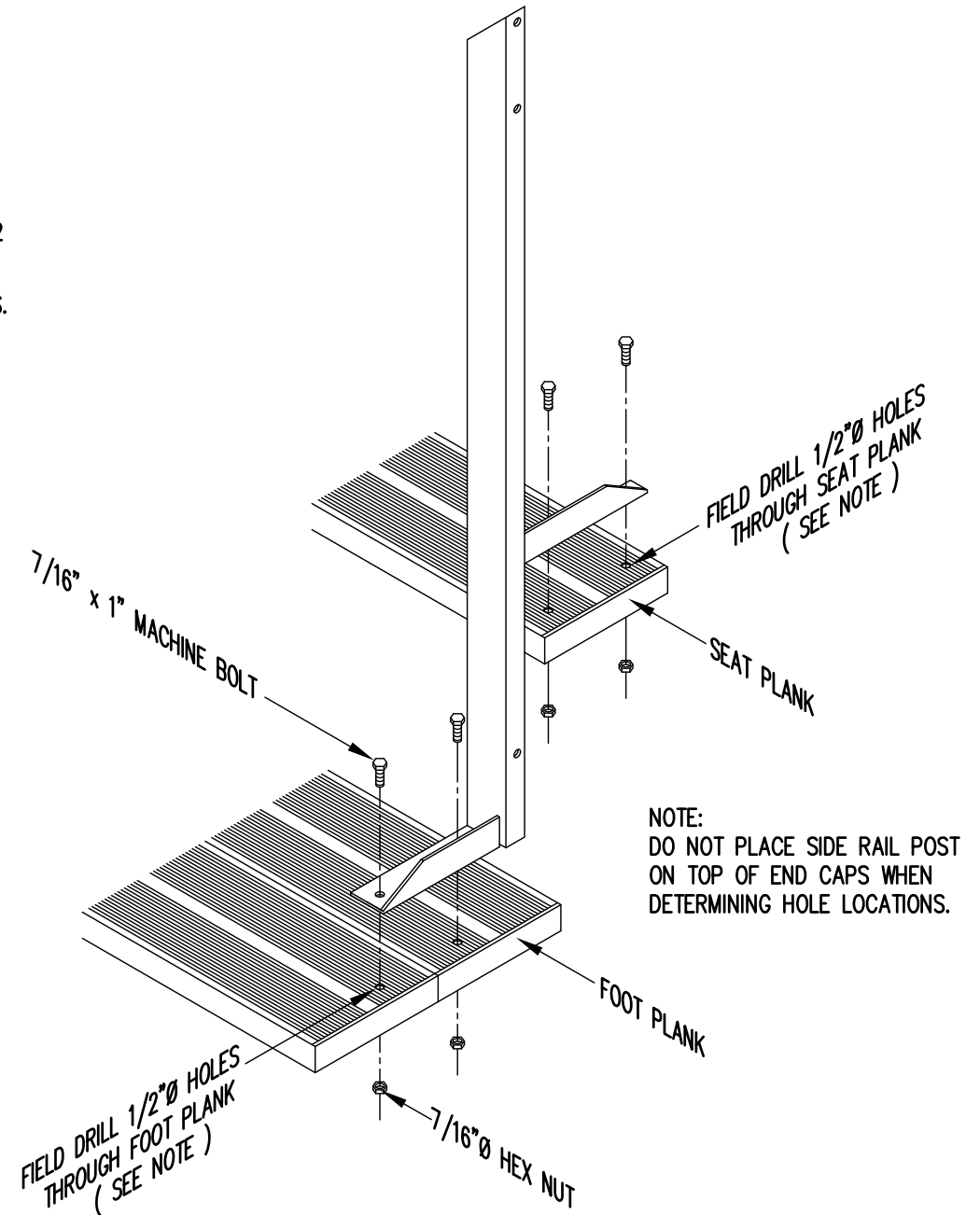


**2ND RAIL**



**BOTTOM RAIL**

**RAIL PIPE ATTACHMENT**



**TYP. SIDE RAIL POST ATTACHMENT**

1" = 1'-0"

NOTE: DO NOT PLACE SIDE RAIL POST ON TOP OF END CAPS WHEN DETERMINING HOLE LOCATIONS.

		Park Warehouse	
SCALE	AS NOTED	REVISIONS	BY
DATE	11/2/11		
DR'N	ADK CKD		
AP'VD			
TITLE	129-1115-2		NO. 129-1115-2