
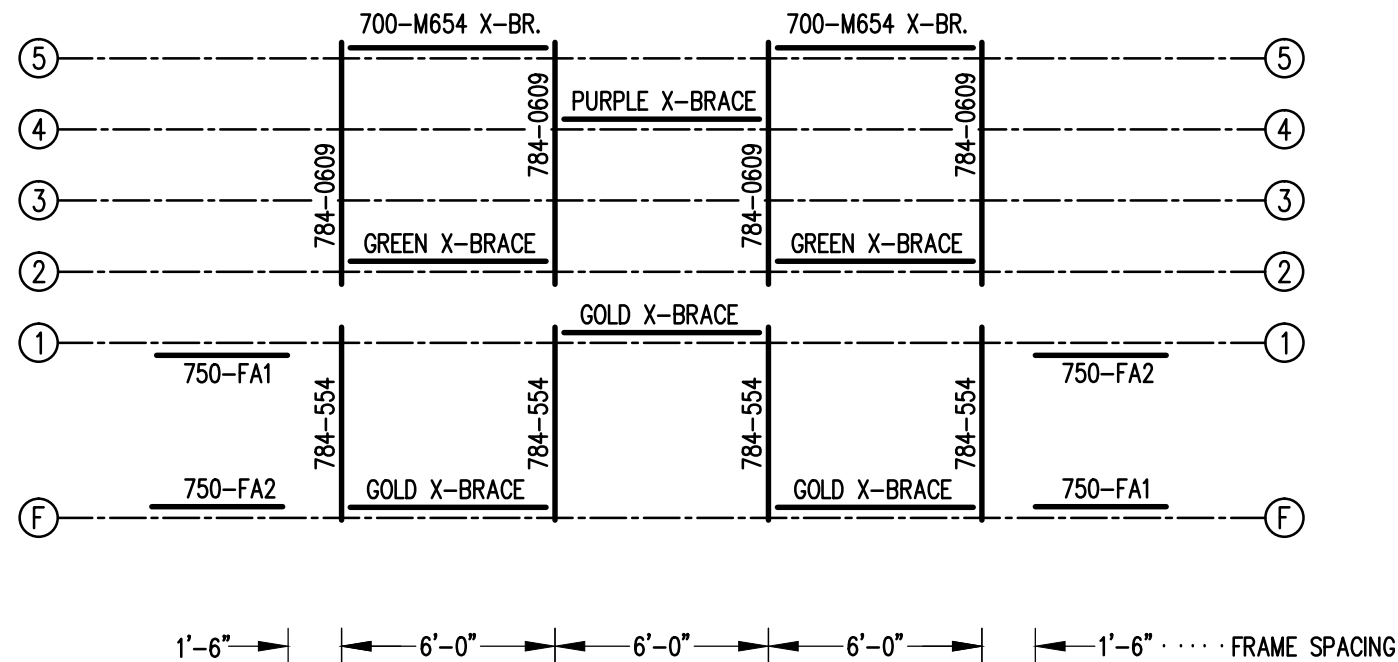


### SEATING PLAN

3/16" = 1'-0"

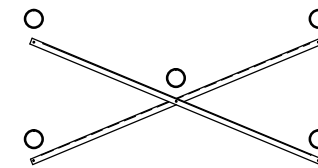
54 NET SEATS @ 18" PER SEAT

		Park Warehouse	
SCALE	3/16"=1'-0"	REVISIONS	BY    DATE
DATE	11/2/11		
DR'N	CDK    CKD		
AP'VD			
TITLE	129-1115-1		NO. 129-1115-1



### FRAMING PLAN


3/16" = 1'-0"

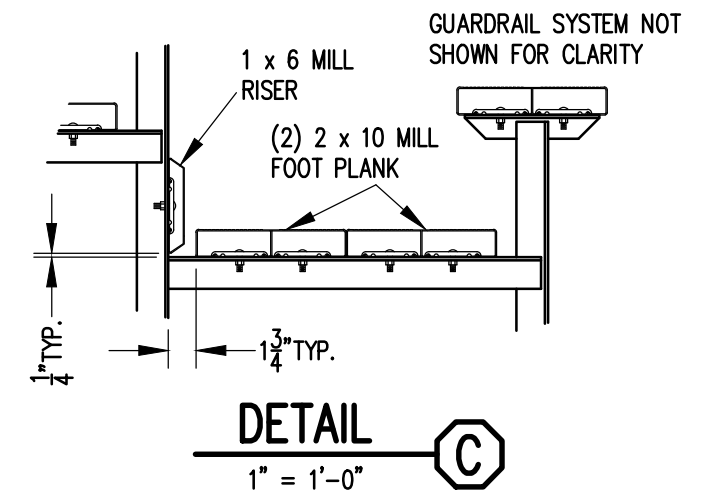
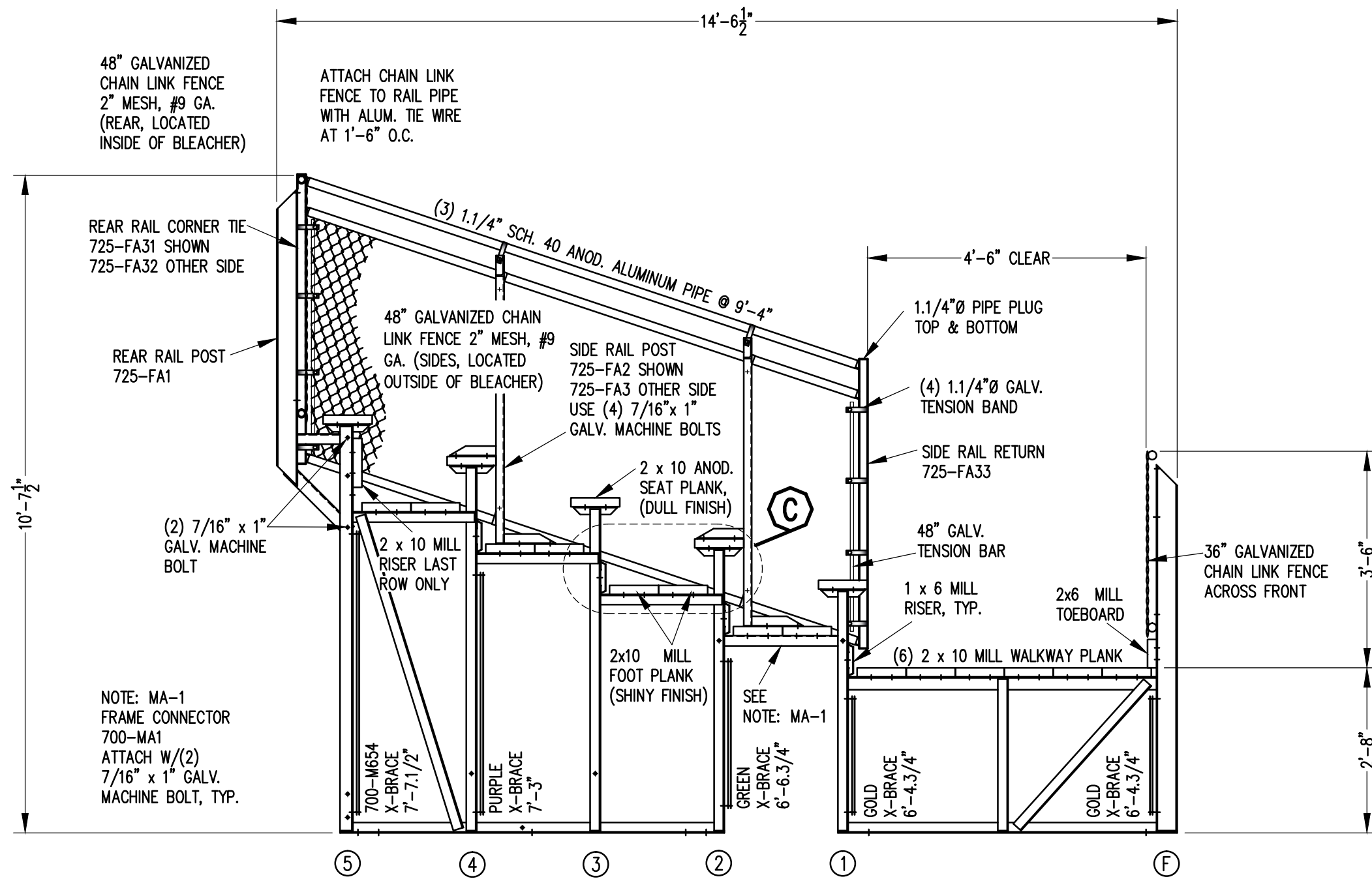


### X-BRACE DETAIL

N.T.S.

- 7/16" X 1" GALV. MACH. BOLT
- △ 7/16" X 1.1/2" GALV. MACH. BOLT

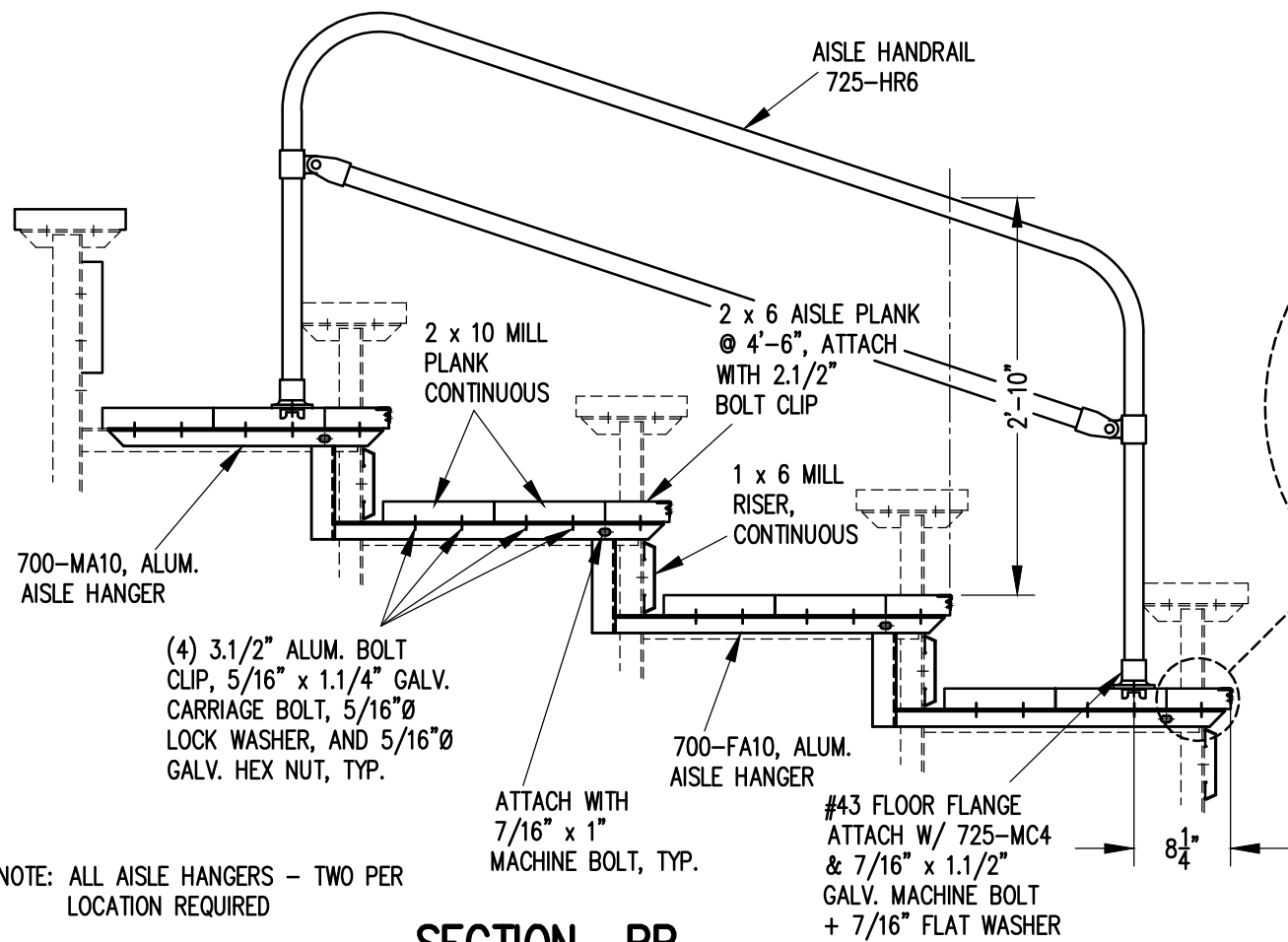
		<b>Park Warehouse</b>	
SCALE	AS NOTED	REVISIONS	BY DATE
DATE	11/2/11		
DR'N	GPK CKD		
AP'VD			
TITLE	129-1115-1		NO. 129-1115-1



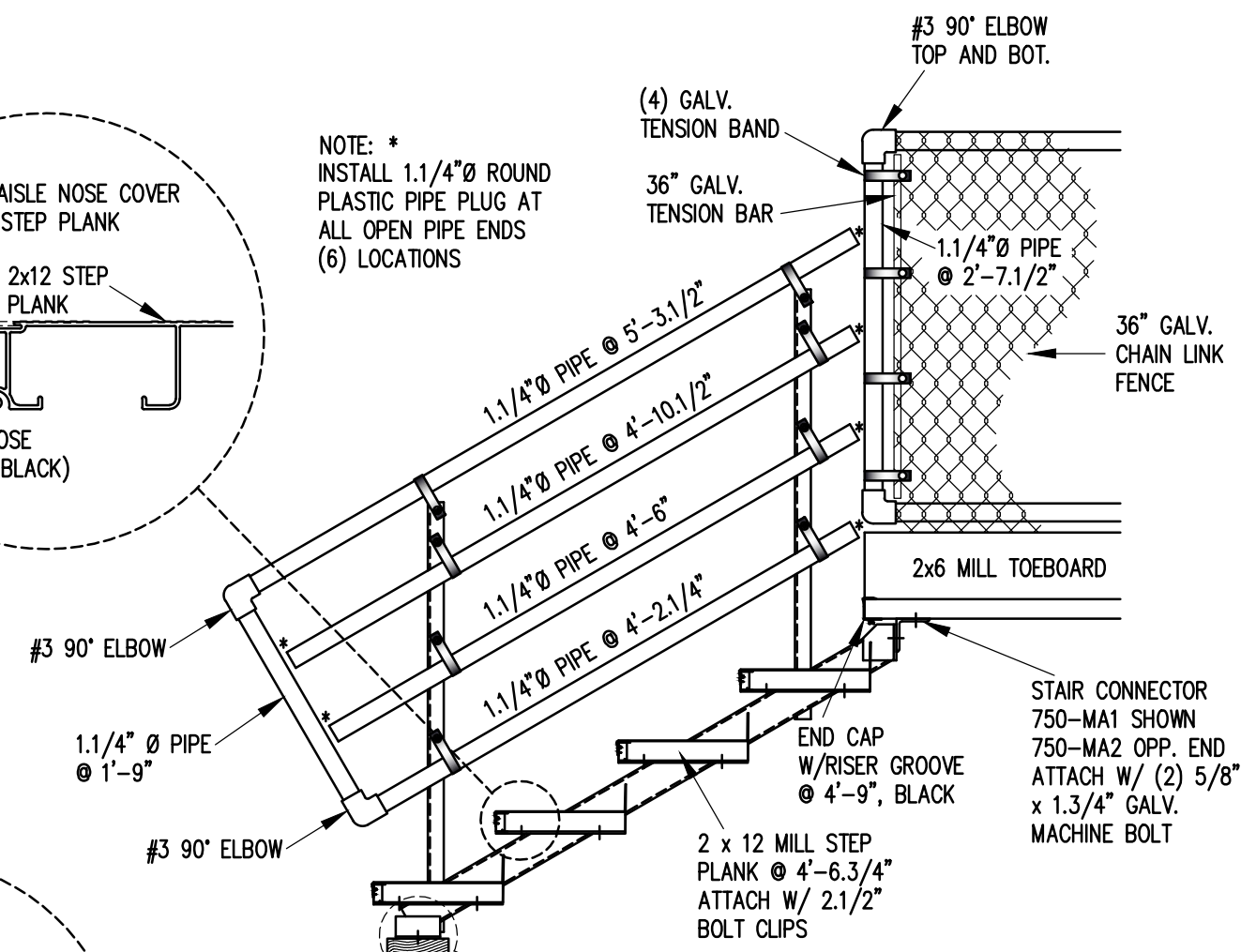
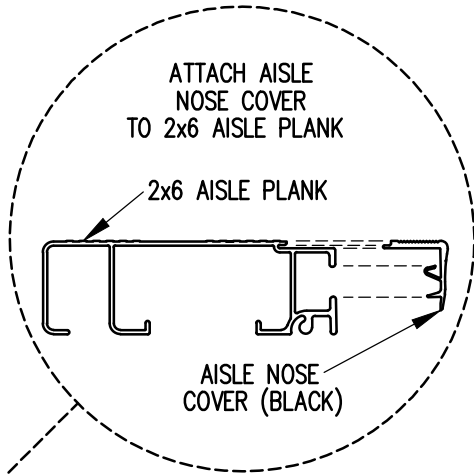
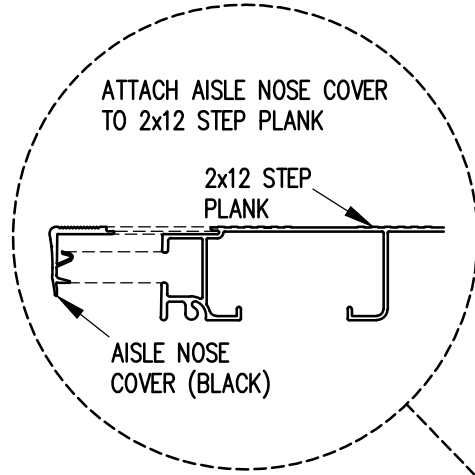
**SECTION AA**

1/2" = 1'-0"

		<b>Park Warehouse</b>	
SCALE	AS NOTED	REVISIONS	BY DATE
DATE	11/2/11		
DR'N	CDK CKD		
AP'VD			
TITLE	129-1115-1	NO.	129-1115-1

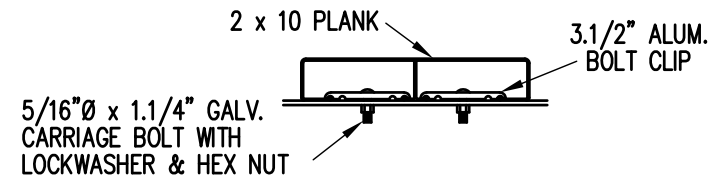


**SECTION BB**  
3/4" = 1'-0"



**SECTION CC**  
3/4" = 1'-0"

		<b>Park Warehouse</b>	
SCALE	3/4" = 1'-0"	REVISIONS	BY DATE
DATE	11/2/11		
DR'N	CDK CKD		
AP'VD			
TITLE	129-1115-1	NO.	129-1115-1



**BOLT CLIP DETAIL**

1.1/2" = 1'-0"



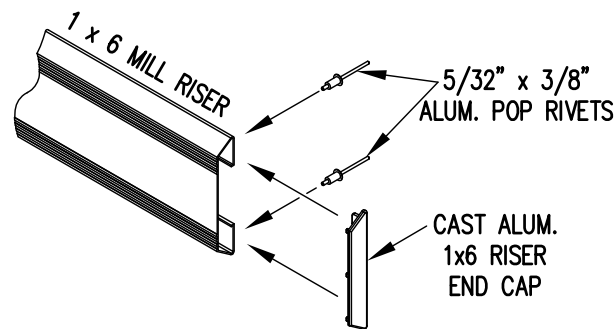
FIG.1

FIG.2

- 1) LOCATE THE CHANNEL END CAP AS SHOWN IN FIG. 1.
- 2) TAP END CAP INTO PLACE WITH RUBBER Mallet OR SOFT WOOD. FIG.2
- 3) DRILL 5/32" HOLES THROUGH THE BOTTOM FLANGE AND THE BOTTOM OUTSIDE PLANK FLANGES OF EACH PLANK. INSTALL 5/32" POP RIVETS.

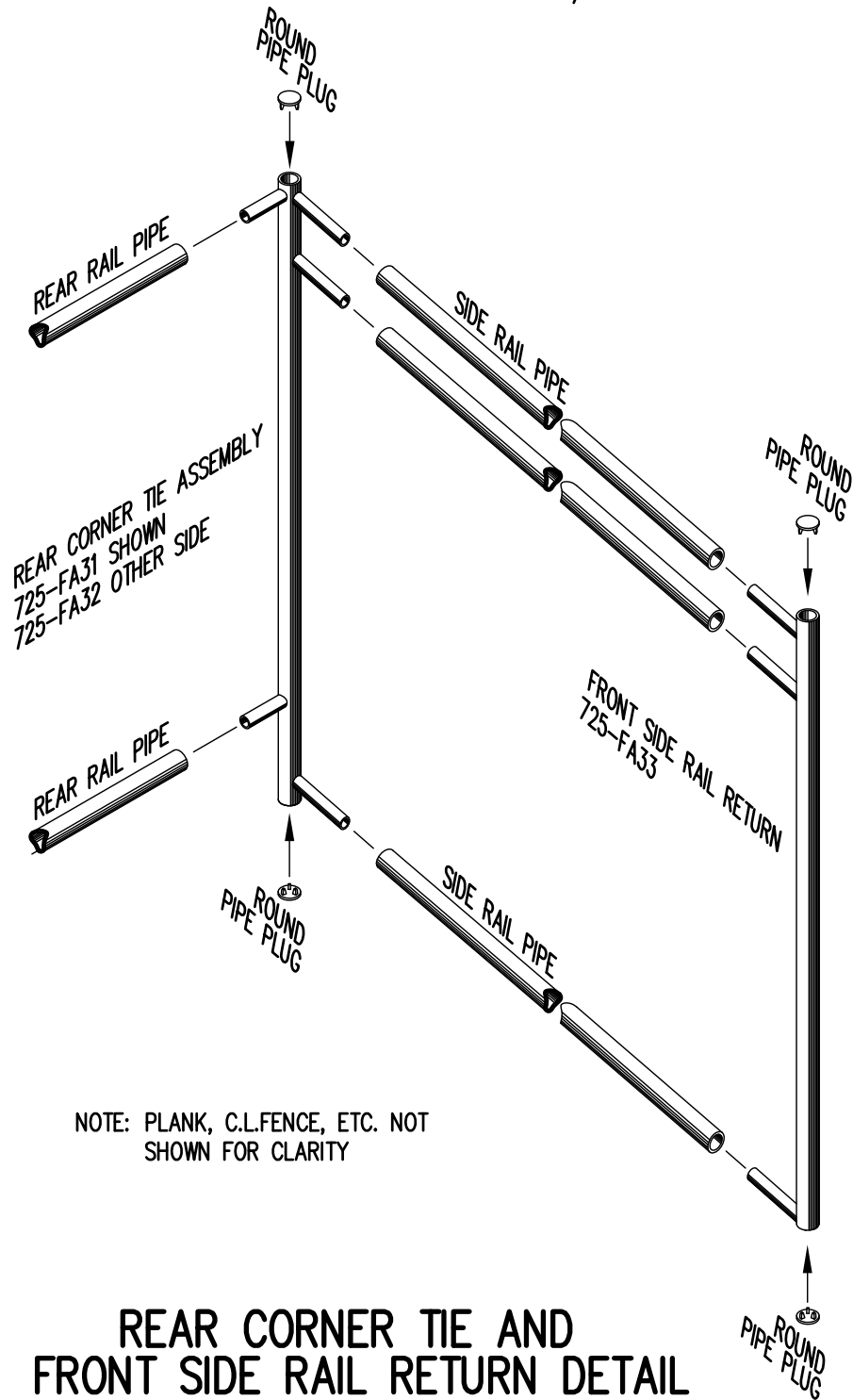
**END CAP DETAIL**

N.T.S.



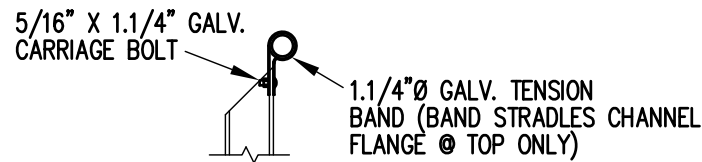
**1 x 6 RISER END CAP**

N.T.S.

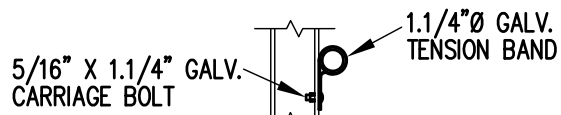


**REAR CORNER TIE AND FRONT SIDE RAIL RETURN DETAIL**

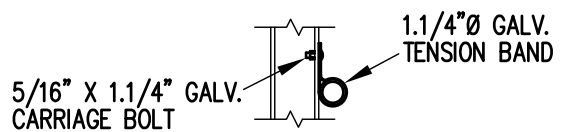
3/4" = 1'-0"



**TOP RAIL**

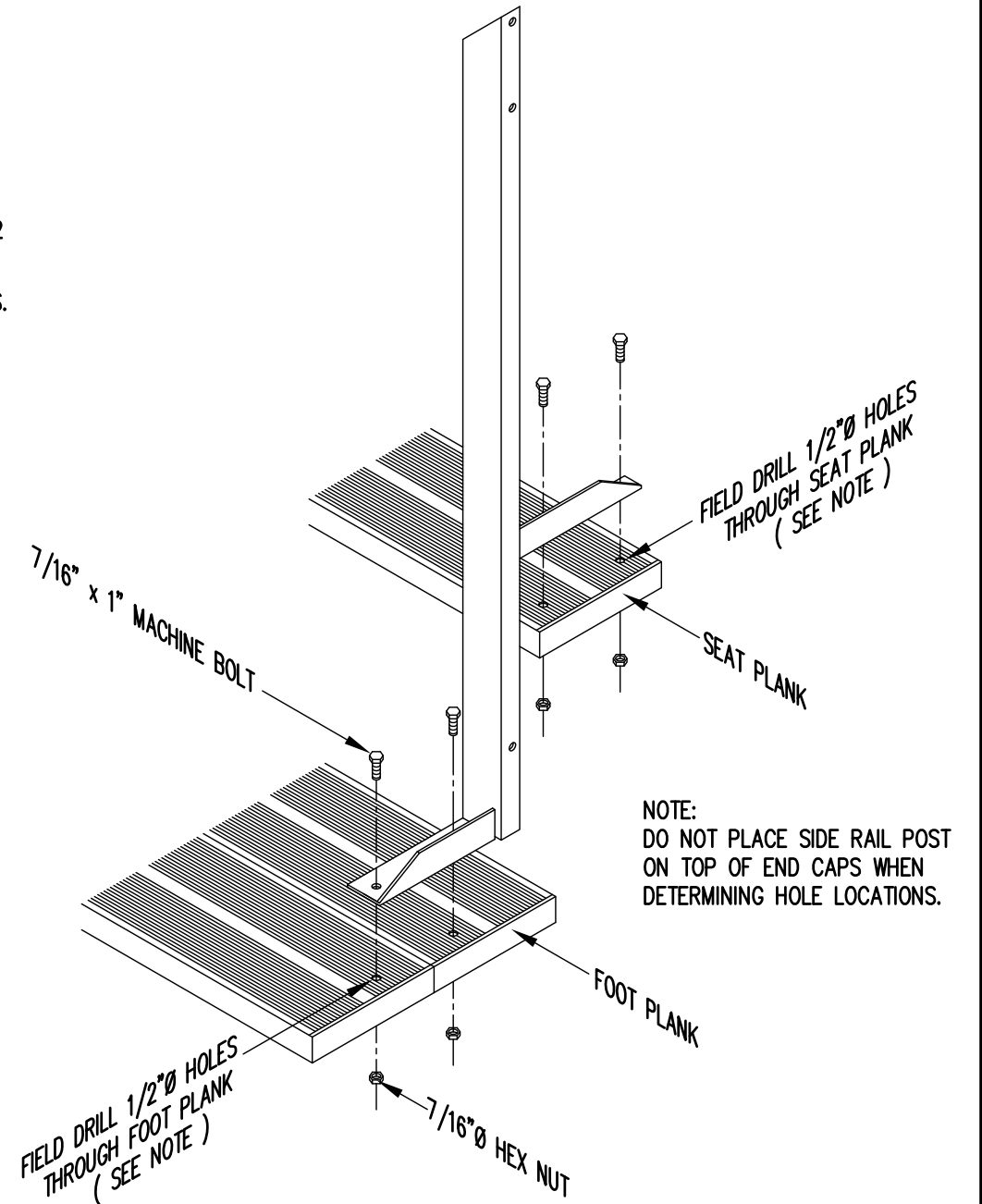


**2ND RAIL**



**BOTTOM RAIL**

**RAIL PIPE ATTACHMENT**



**TYP. SIDE RAIL POST ATTACHMENT**

1" = 1'-0"

		<b>Park Warehouse</b>	
SCALE	AS NOTED	REVISIONS	BY DATE
DATE	11/2/11		
DR'N	CDK CKD		
AP'VD			
TITLE	129-1115-1		NO. 129-1115-1