



## Upgrade Plumbing Kit

SKU: 570dp925-3



Our Upgraded plumbing kit features everything you need to get your tub installed as quick as possible, with a Bigger Heavy duty 8" on center faucet.

- T & S Brass 8" on-center (2) handle faucet, That is ADA Compliant
- Vacuum breaker\*
- T&S Brass Spray head with coiled hose, comfortable lever - Shuts off completely when not in use.
- 3½" Premium Brass Basket strainer/hair trap.
- 1½" white PVC "P" trap with (3) wing nuts. □ Includes a stainless steel holder to hang the heavy duty spray head on.
- Groomers Best Recommends using Flexible Stainless Steel Hoses to connect to the faucet from your water source
- Designed for use with all Groomer's Best Tubs



### T&S BRASS AND BRONZE WORKS, INC.

2 Saddleback Cove / P.O. Box 1088  
Travelers Rest, SC 29690

Model No.

**B-0673-RGH**

Item No.

Travelers Rest, SC: 800-476-4103 • Simi Valley, CA: 800-423-0150 • Fax: 864-834-3518 • www.tsbrass.com



**ADA Compliant**

This Space for Architect/Engineer Approval

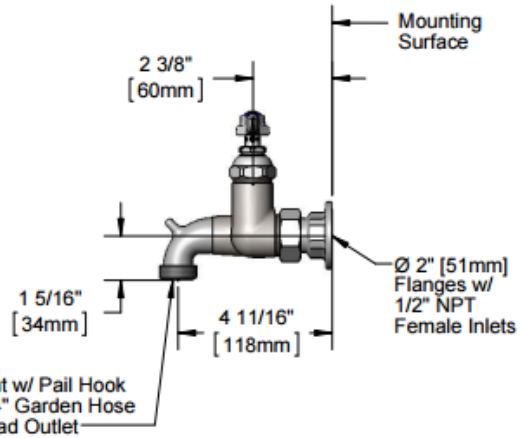
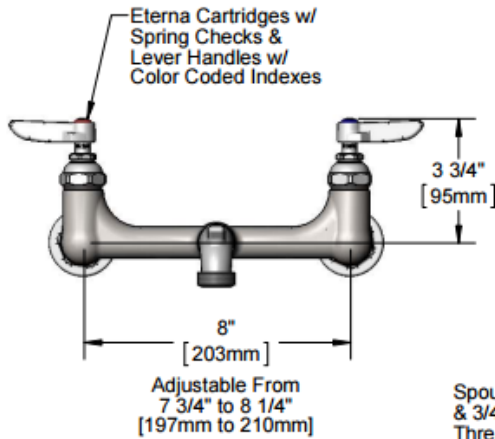
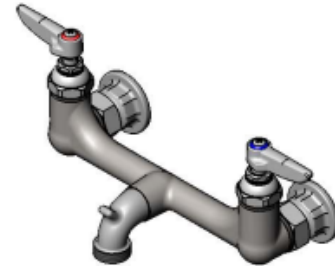
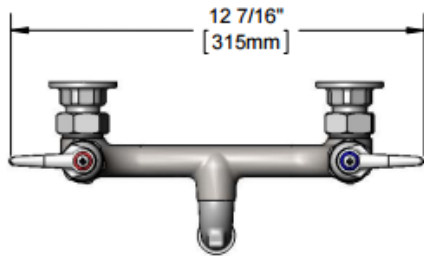
Job Name \_\_\_\_\_ Date \_\_\_\_\_

Model Specified \_\_\_\_\_ Quantity \_\_\_\_\_

Customer/Wholesaler \_\_\_\_\_

Contractor \_\_\_\_\_

Architect/Engineer \_\_\_\_\_



**Product Specifications:**

8" Wall Mount Rough Chrome Service Sink Mixing Faucet, Quarter-Turn Eterna Cartridges w/ Spring Checks, 3/4" Garden Hose Thread Outlet Spout w/ Pail Hook & 1/2" Female Inlets

**Product Compliance:**

ASME A112.18.1 / CSA B125.1  
NSF 61 - Section 9  
NSF 372 (Low Lead Content)  
ANSI A117.1 (ADA)

Drawn: DHL | Checked: JRM | Approved: JHB | Date: 04/23/16 | Scale: 1:4 | Sheet: 1 of 2



**T&S BRASS AND BRONZE WORKS, INC.**

2 Saddleback Cove / P.O. Box 1088  
Travelers Rest, SC 29690

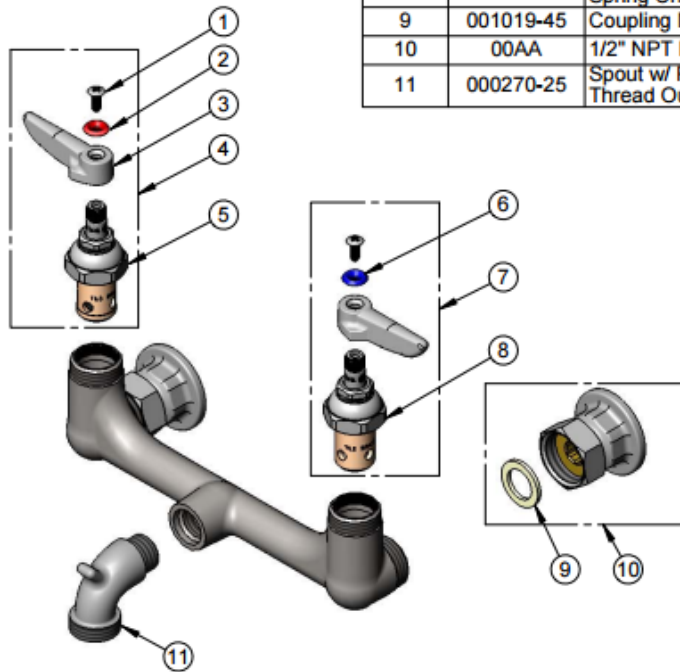
Model No.

**B-0673-RGH**

Item No.

Travelers Rest, SC: 800-476-4103 • Simi Valley, CA: 800-423-0150 • Fax: 864-834-3518 • www.tsbrass.com

ITEM NO.	SALES NO.	DESCRIPTION
1	000922-45	Lever Handle Screw
2	001661-45	Red Index-HW
3	001638-45	Lever Handle
4	002712-40	Quarter-Turn Eterna Cartridge, RTC w/ Spring Check, Handle, Index & Screw
5	012443-40	Quarter-Turn Eterna Cartridge, RTC w/ Spring Check
6	001660-45	Blue Index-CW
7	002711-40	Quarter-Turn Eterna Cartridge, LTC w/ Spring Check, Handle, Index & Screw
8	012442-40	Quarter-Turn Eterna Cartridge, LTC w/ Spring Check
9	001019-45	Coupling Nut Washer
10	00AA	1/2" NPT Female Eccentric Flange
11	000270-25	Spout w/ Pail Hook & 3/4" Garden Hose Thread Outlet, Rough Chrome



**Product Specifications:**

8" Wall Mount Rough Chrome Service Sink Mixing Faucet, Quarter-Turn Eterna Cartridges w/ Spring Checks, 3/4" Garden Hose Thread Outlet Spout w/ Pail Hook & 1/2" Female Inlets

**Product Compliance:**

ASME A112.18.1 / CSA B125.1  
NSF 61 - Section 9  
NSF 372 (Low Lead Content)  
ANSI A117.1 (ADA)

Drawn: DHL | Checked: JRM | Approved: JHB | Date: 04/23/16 | Scale: NTS | Sheet: 2 of 2



**T&S BRASS AND BRONZE WORKS, INC.**  
 2 Saddleback Cove / P.O. Box 1000  
 Travelers Rest, SC 29680



Model No.  
**B-0108-C**

Item No.

Travelers Rest, SC: 800-475-4886 Valley, CA: 800-423-0100 864-634-3599 [www.tbrass.com](http://www.tbrass.com)

This Space for Architect/Engineer Approval

Job Name \_\_\_\_\_ Date \_\_\_\_\_

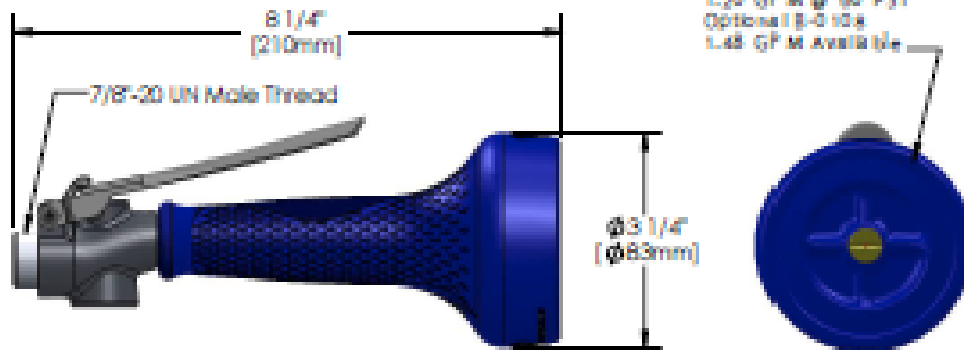
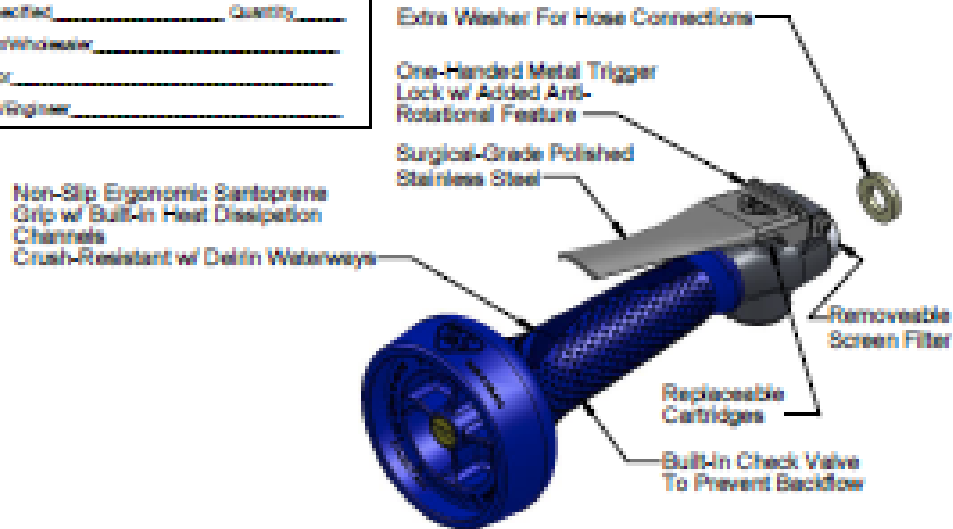
Model Specified \_\_\_\_\_ Quantity \_\_\_\_\_

Customer/Wholesaler \_\_\_\_\_

Contractor \_\_\_\_\_

Architect/Engineer \_\_\_\_\_

**EPA/2005 COMPLIANT**



Product Specifications:  
**1.20 GPM Spray Valve w/ Ergo-Grip,  
 Replaceable Spray Face, &  
 Integrated One-Handed Trigger Lock**

Drawn <b>KJG</b>	Checked <b>DHL</b>	Approved <b>JHE</b>
Scale <b>1:2</b>		Date <b>01/08/09</b>



# T&S BRASS AND BRONZE WORKS, INC.

2 Saddleback Cove / P.O. Box 1000  
Travelers Rest, SC 29686



UL  
LISTED

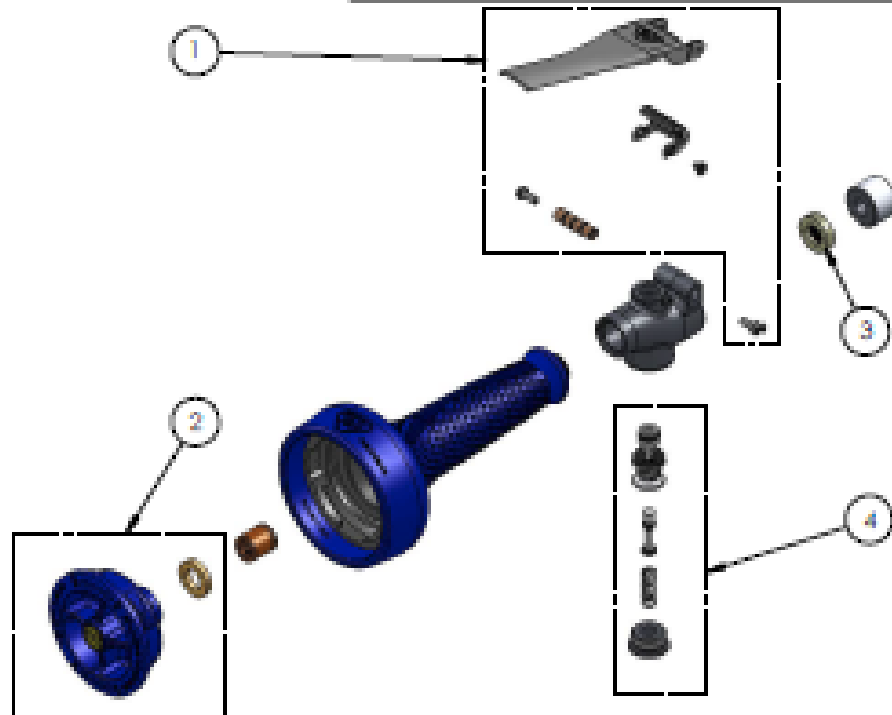
Model No.

**B-0108-C**

Item No.

Simi Valley, CA: 800-423-0150 Fax: 864-924-3513 www.tsbass.com

ITEM NO.	SALES NO.	DESCRIPTION
1	T0BT-RK	Trigger Repair Kit
2	T0BCSF-RK	Spray Face Repair Kit
3	T0BS-RK	Inlet Screen/Washer Repair Kit
4	T0BV-RK	Valve Repair Kit



Note:  
Individual Items in Repair Kits  
are not Sold Separately

Product Specifications:  
1.20 GPM Spray Valve w/ Ergo-Grp.,  
Replaceable Spray Face, &  
Integrated One-Handed Trigger Lock

Drawn	Checked	Approved
KJG	DHL	JHB
Scale	Date	
NTS	01/08/09	